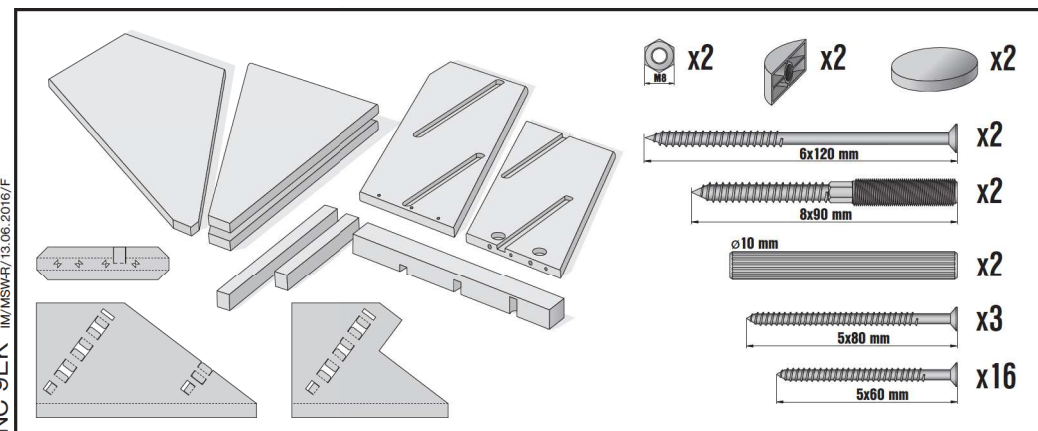
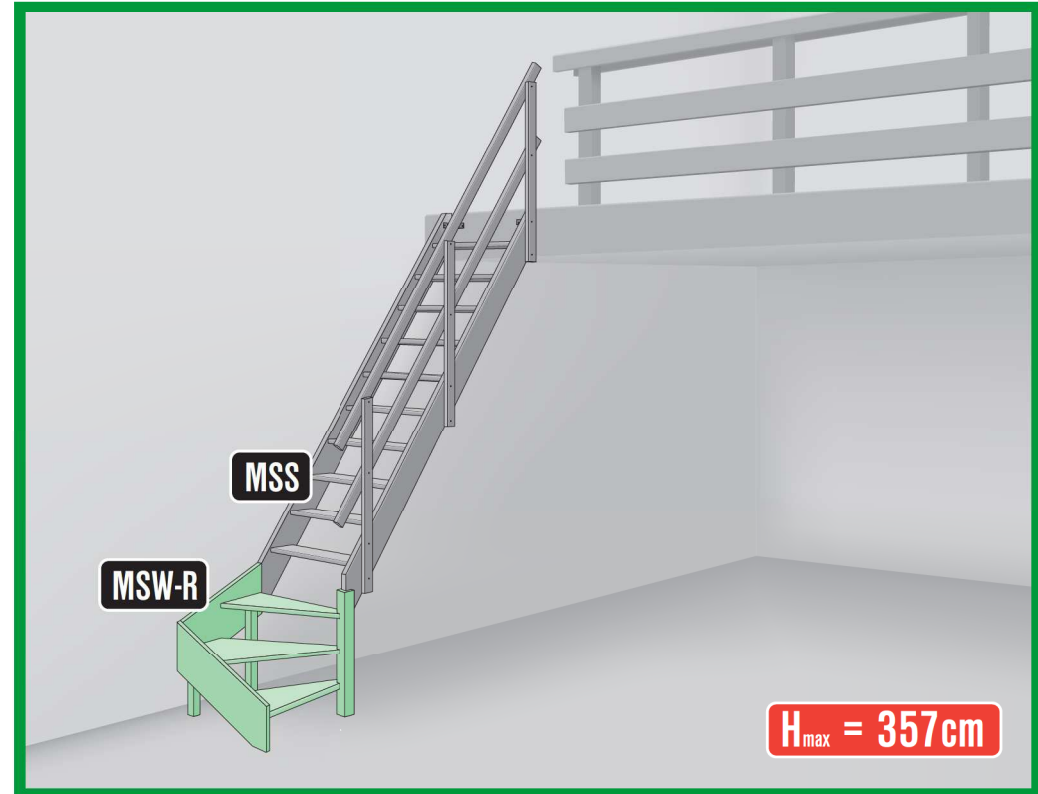
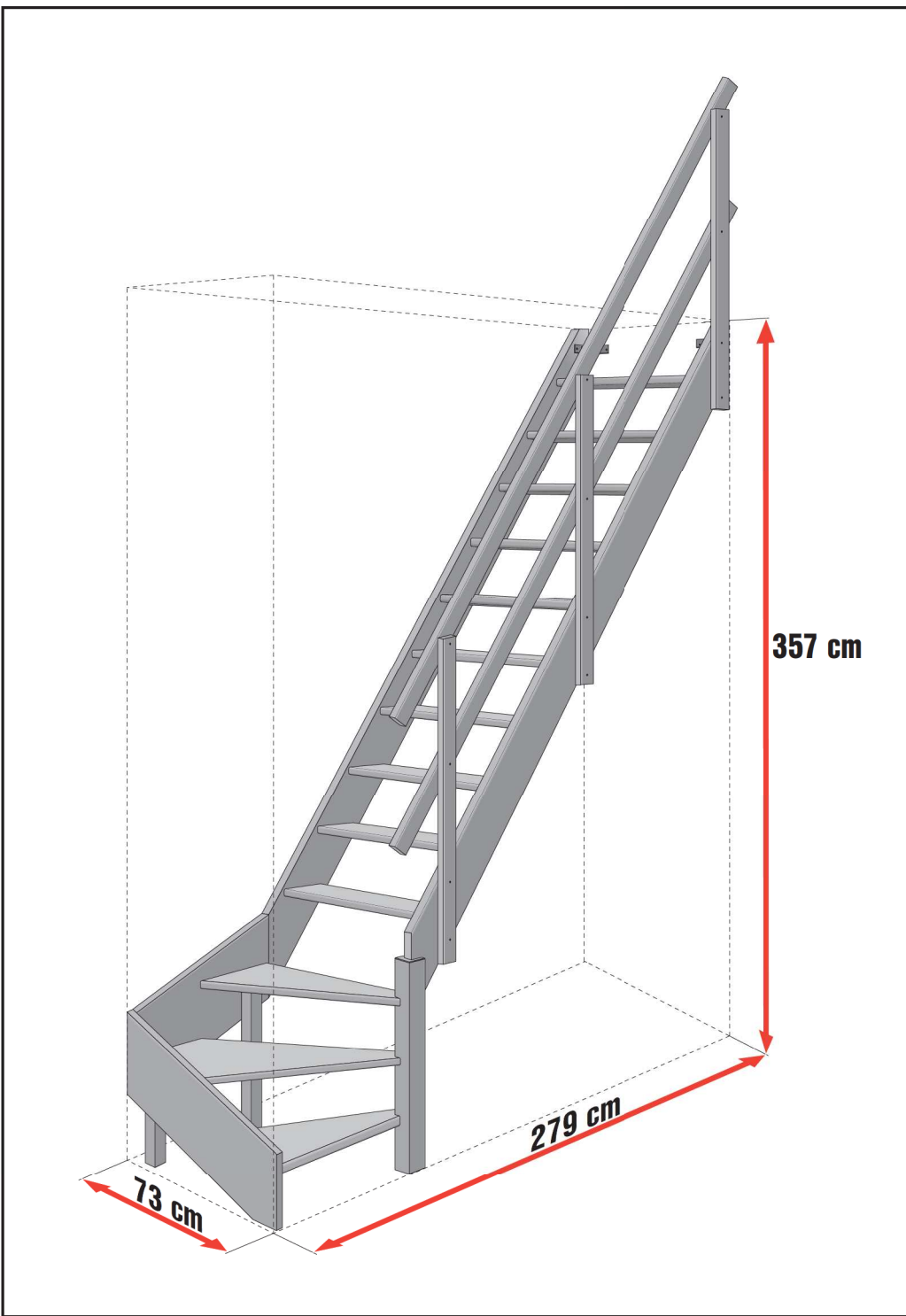
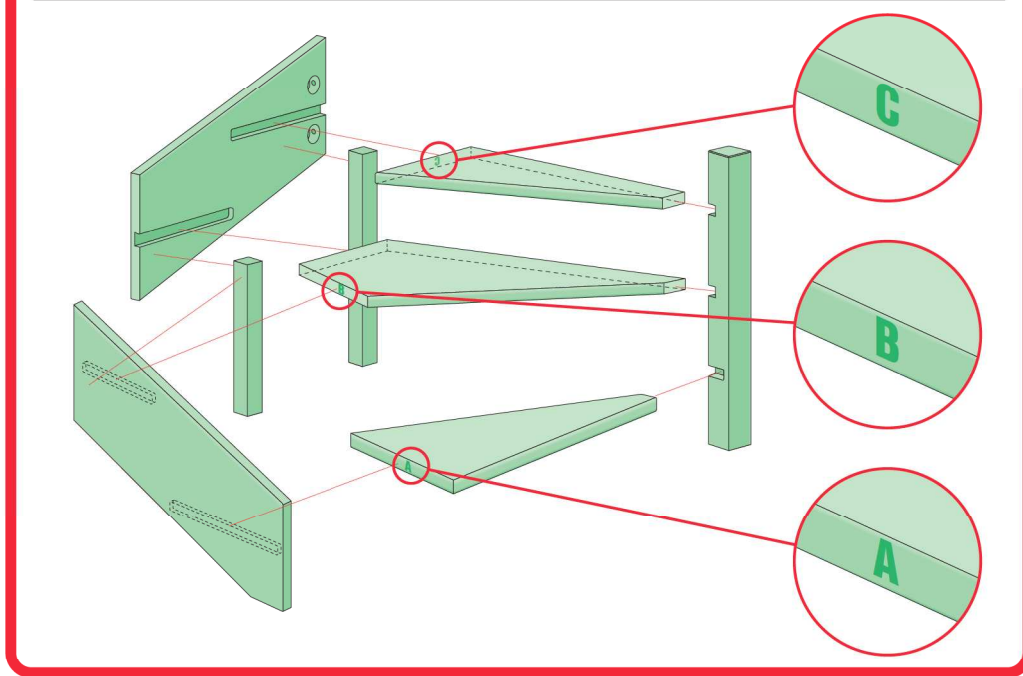
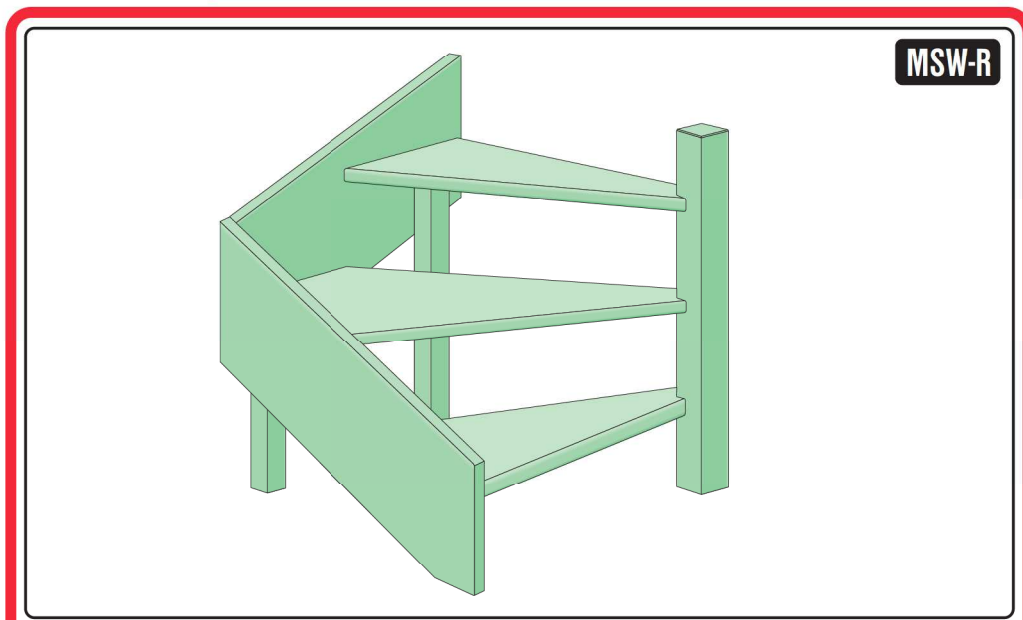
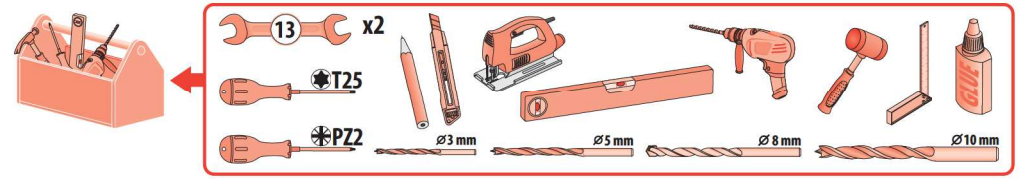
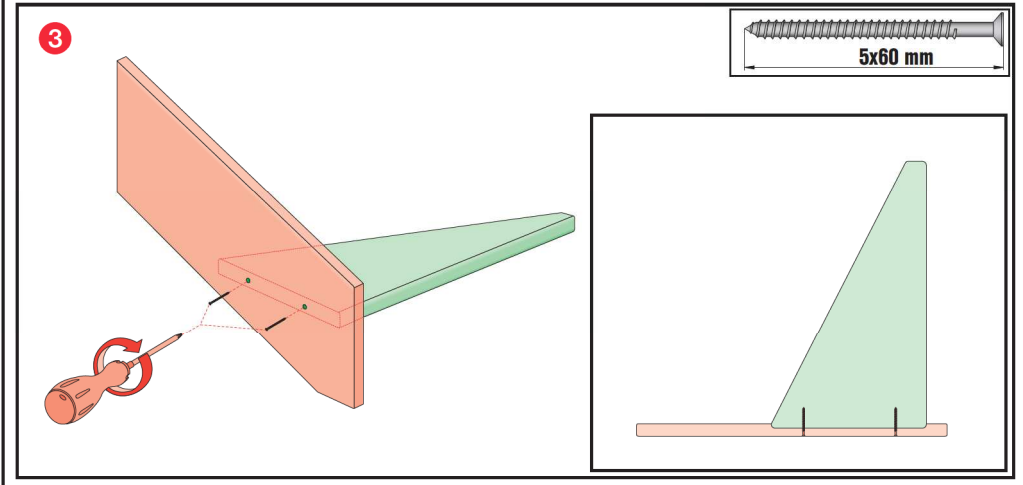
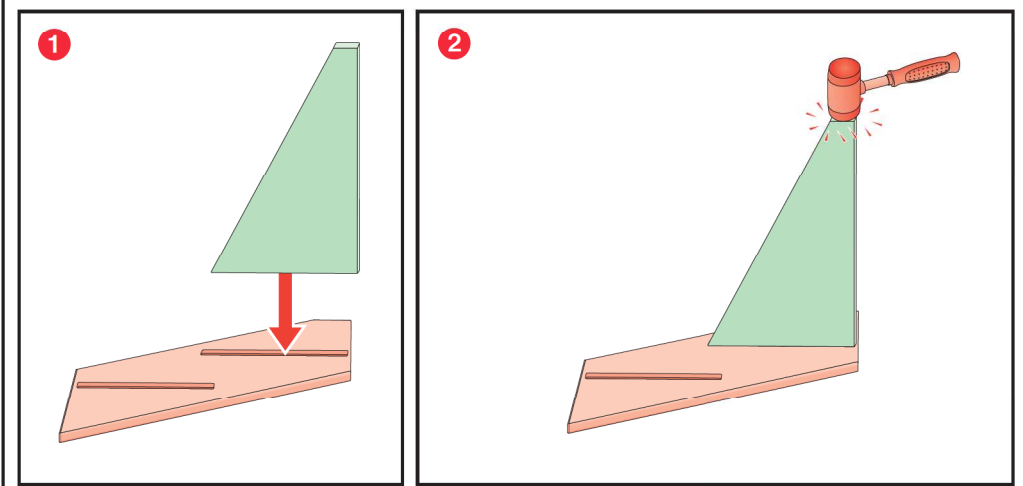
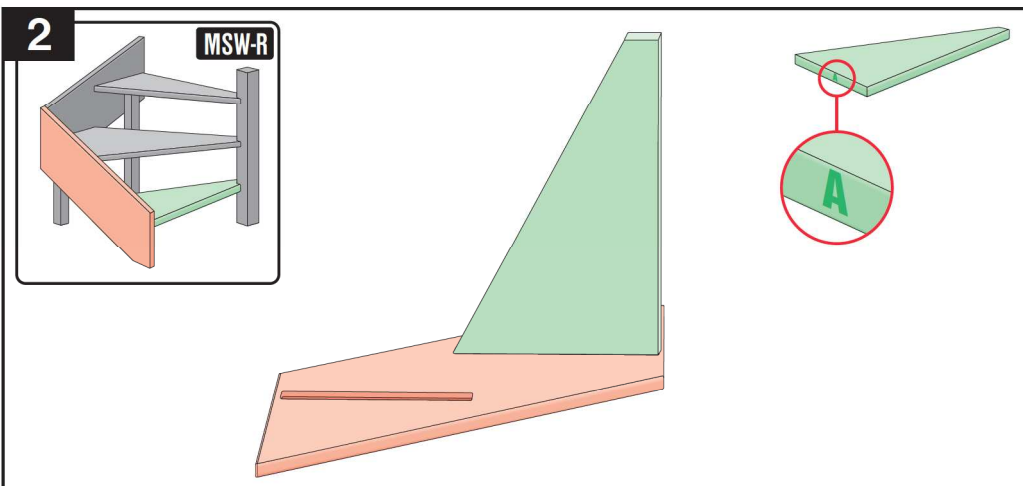


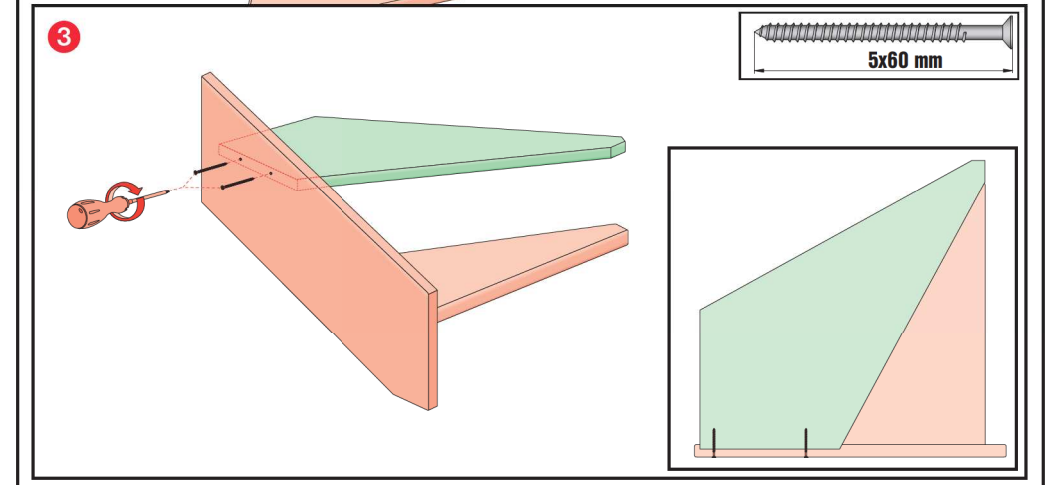
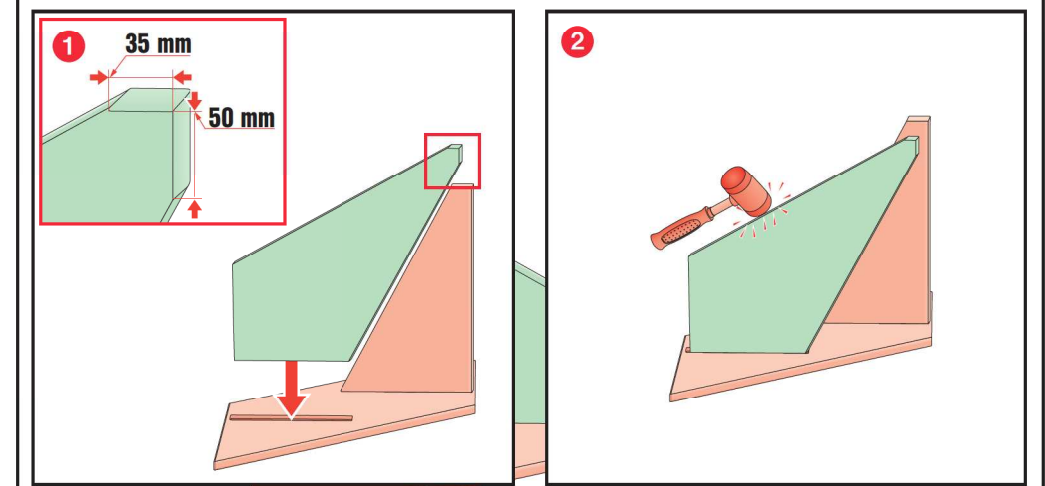
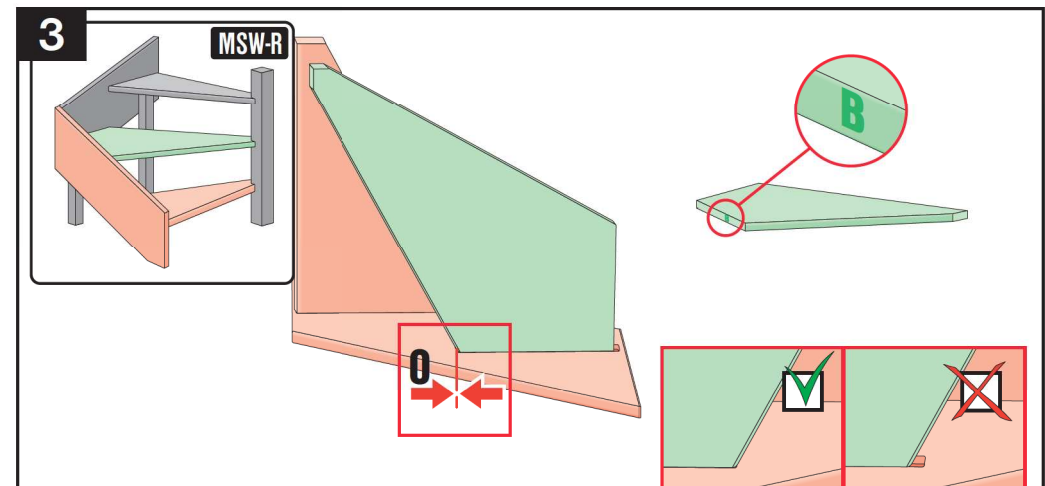
MSW-R + MSS







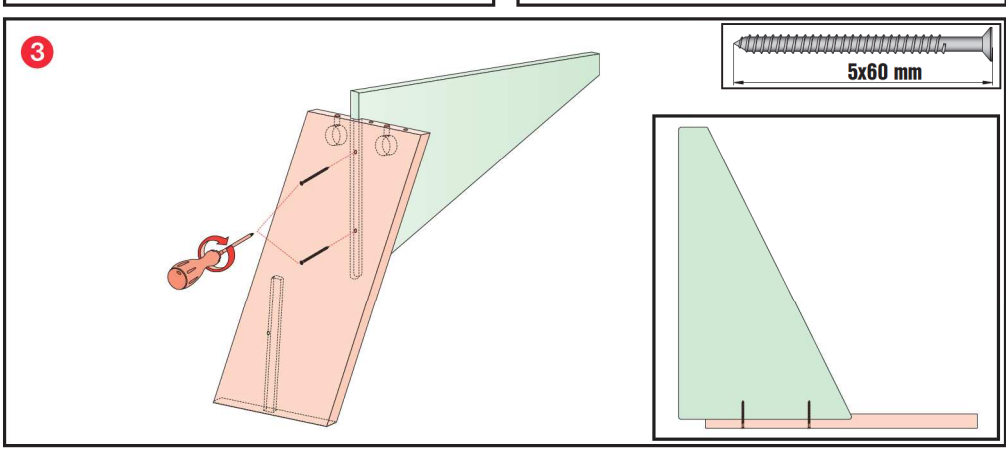
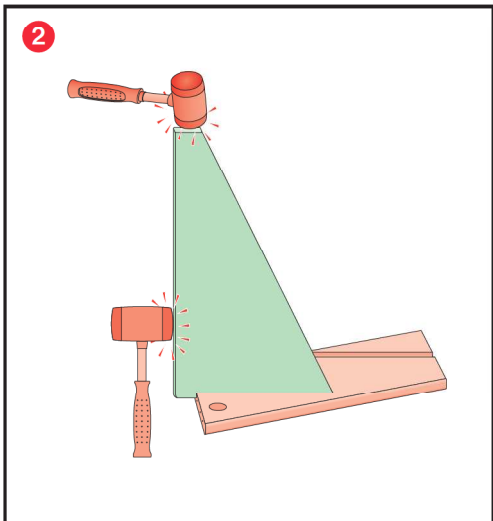
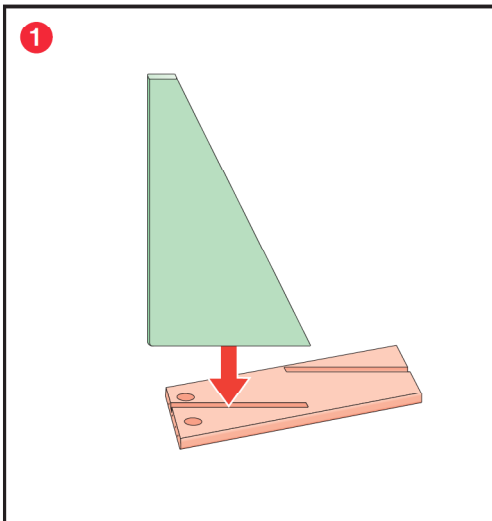
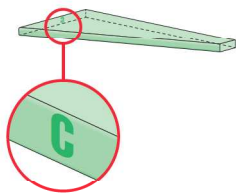
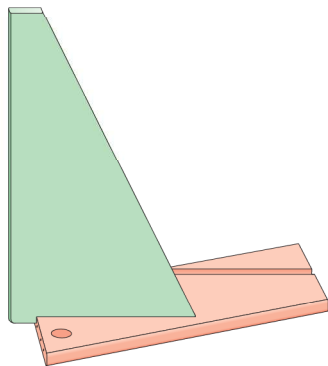
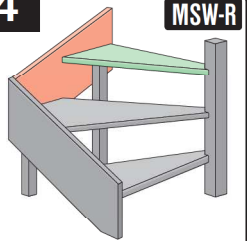
4



5

4

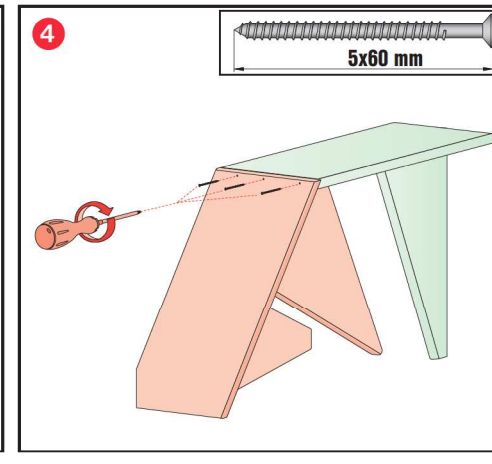
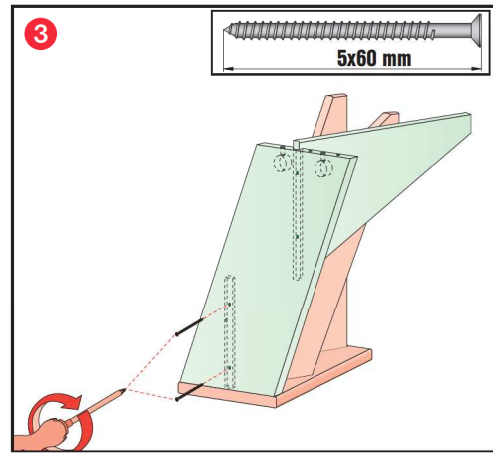
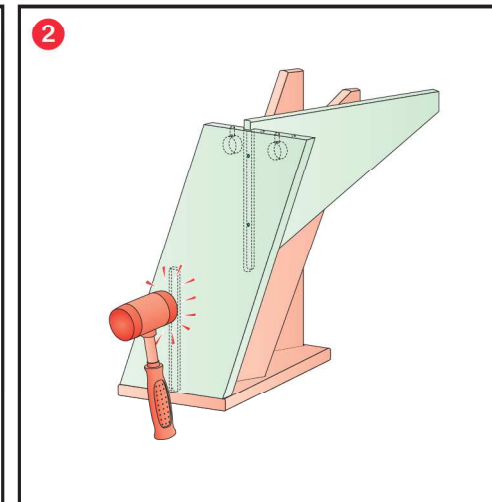
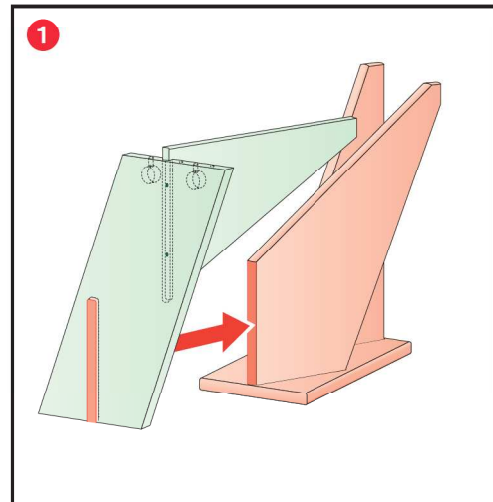
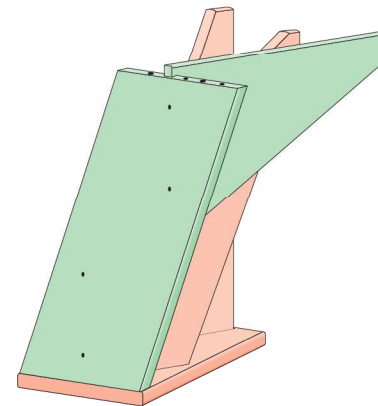
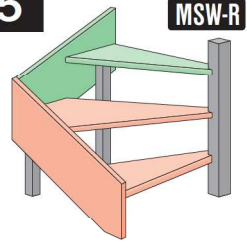
MSW-R



6

5

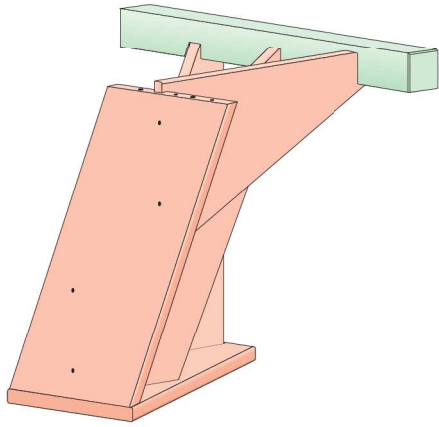
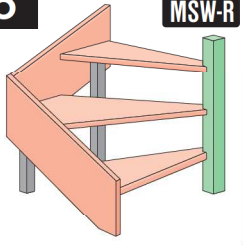
MSW-R



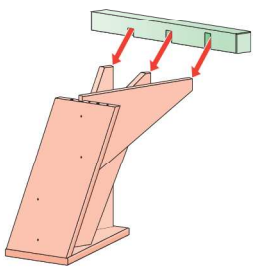
7

6

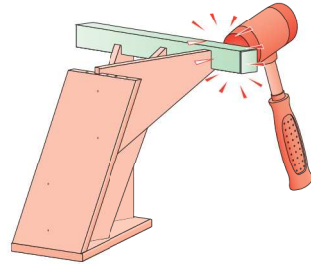
MSW-R



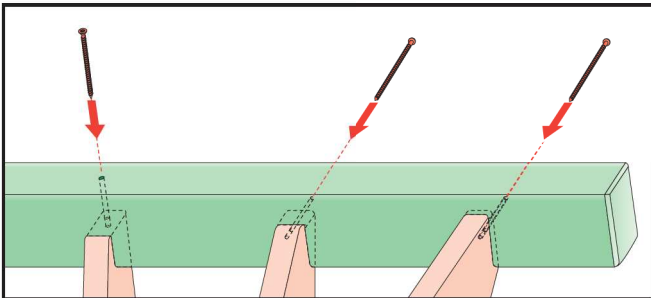
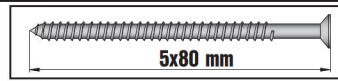
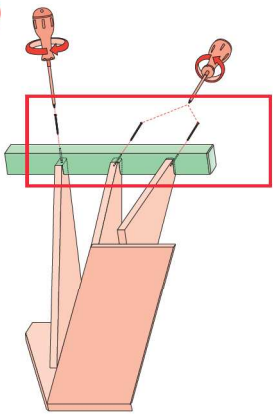
1



2



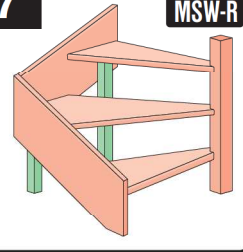
3



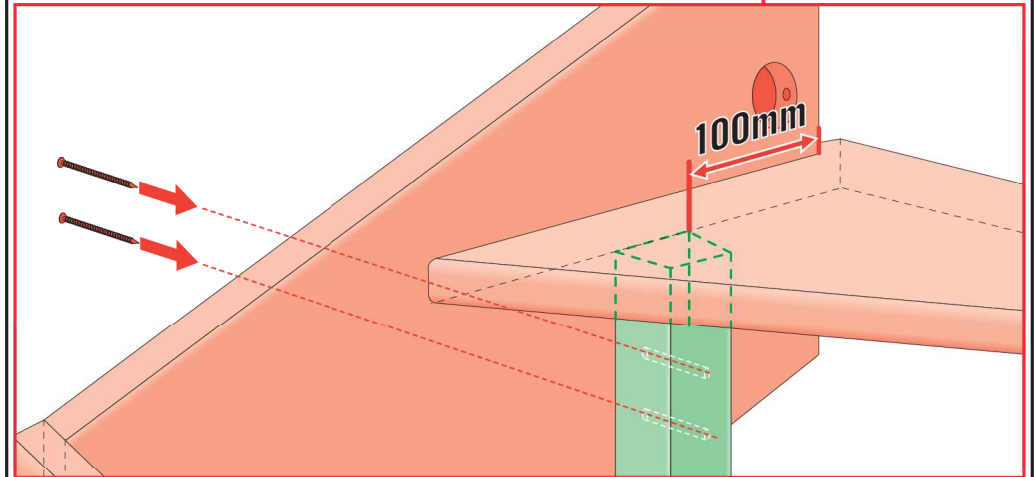
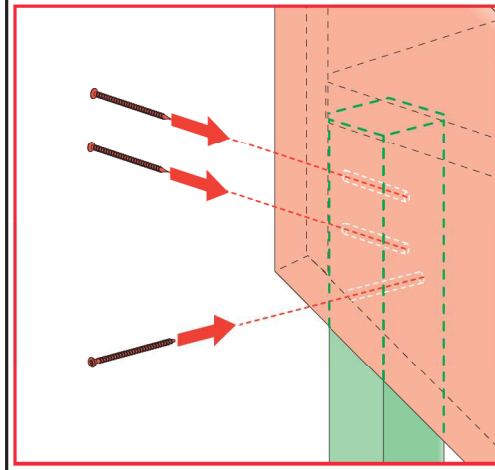
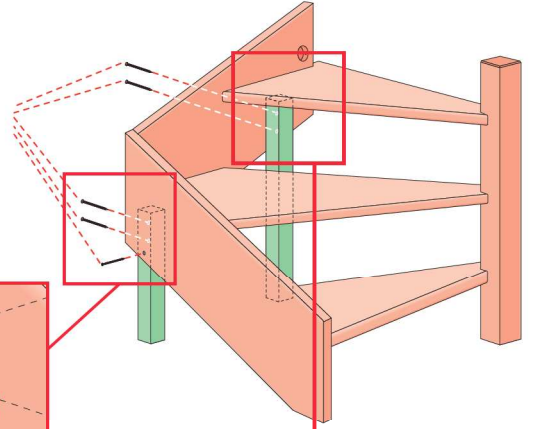
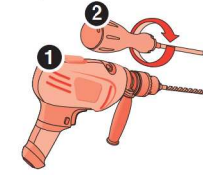
8

7

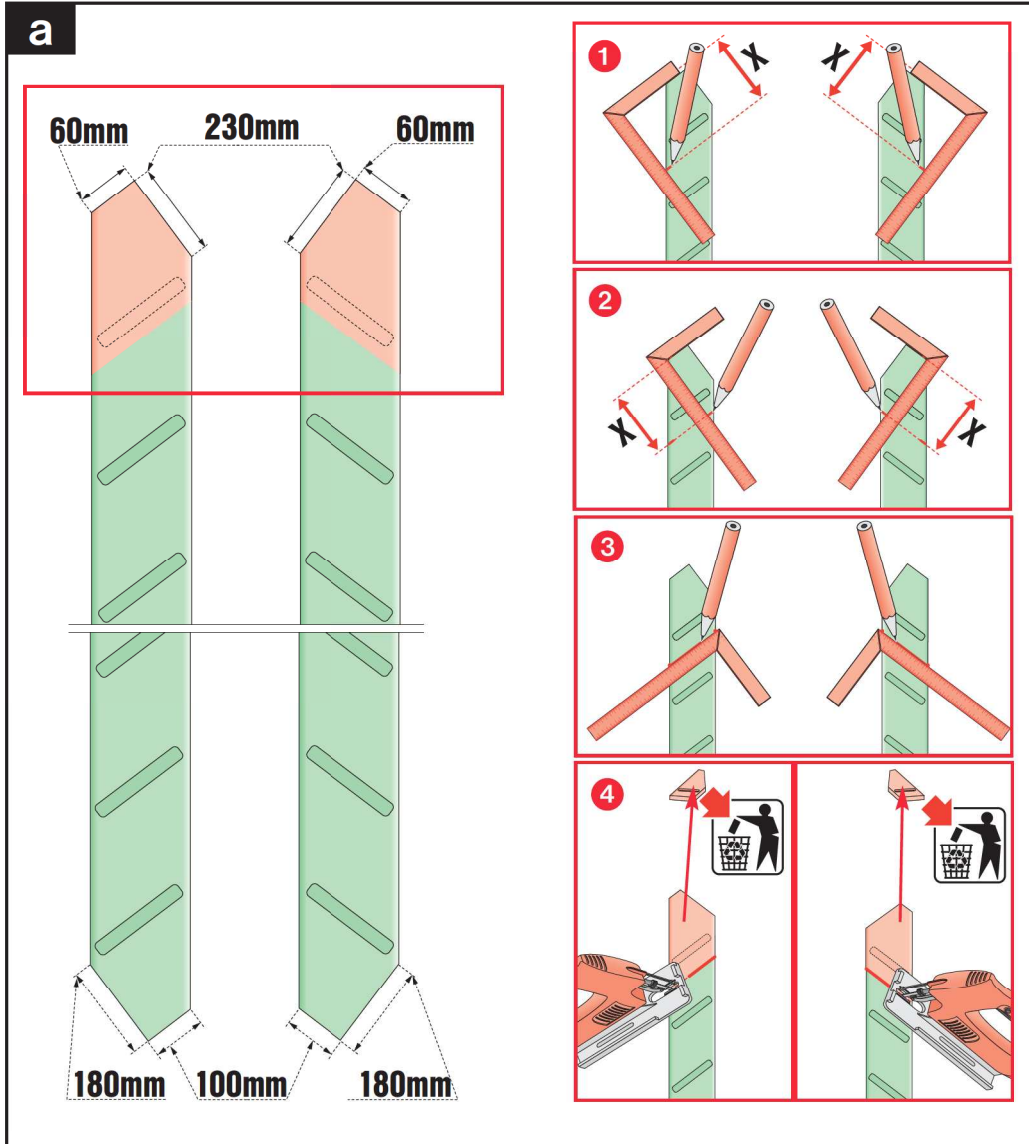
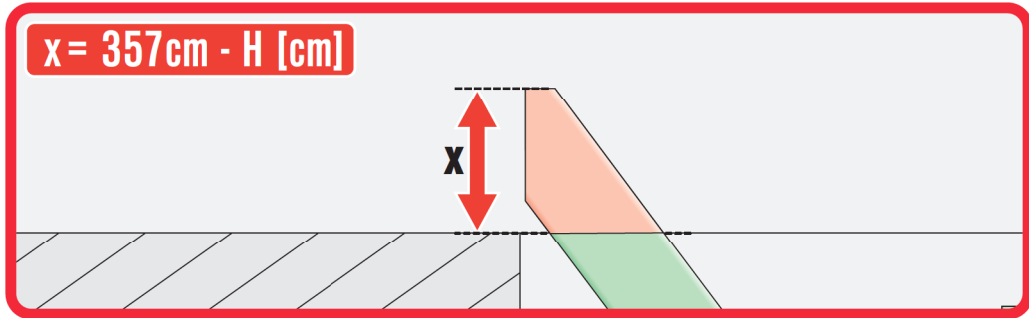
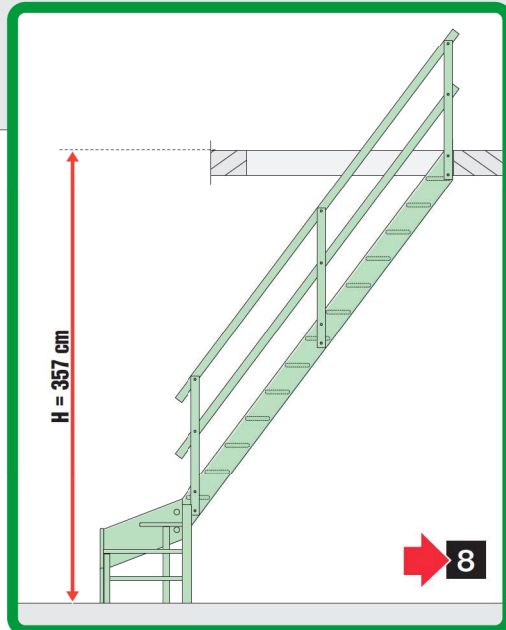
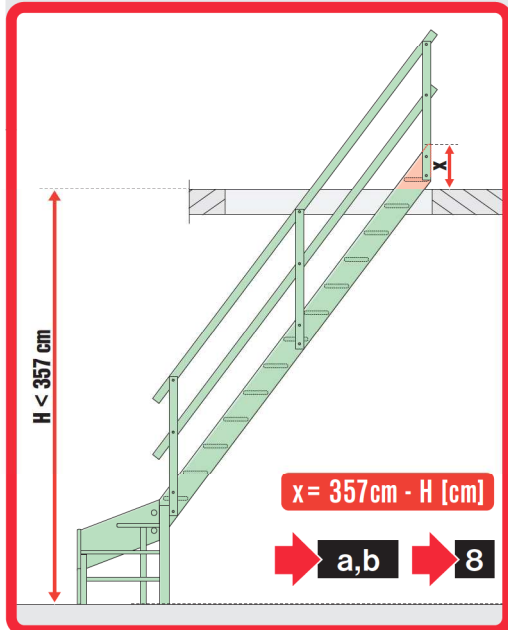
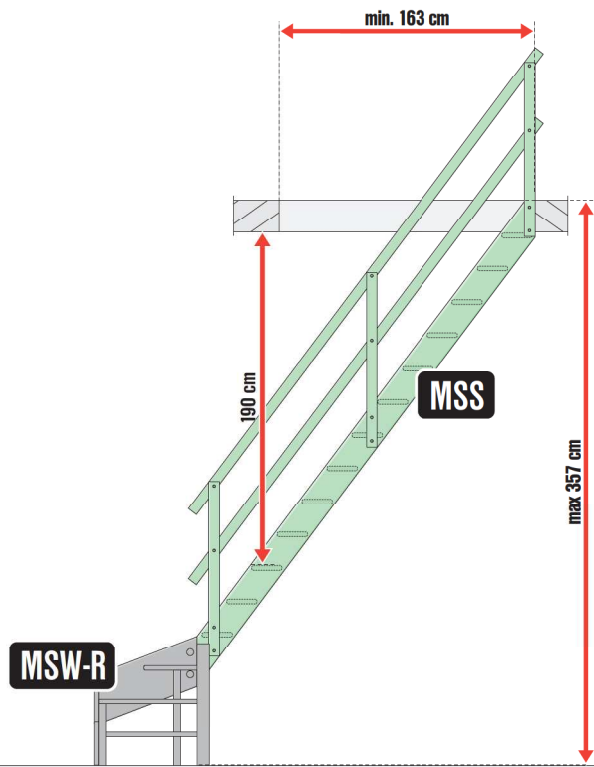
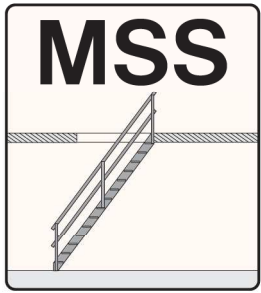
MSW-R

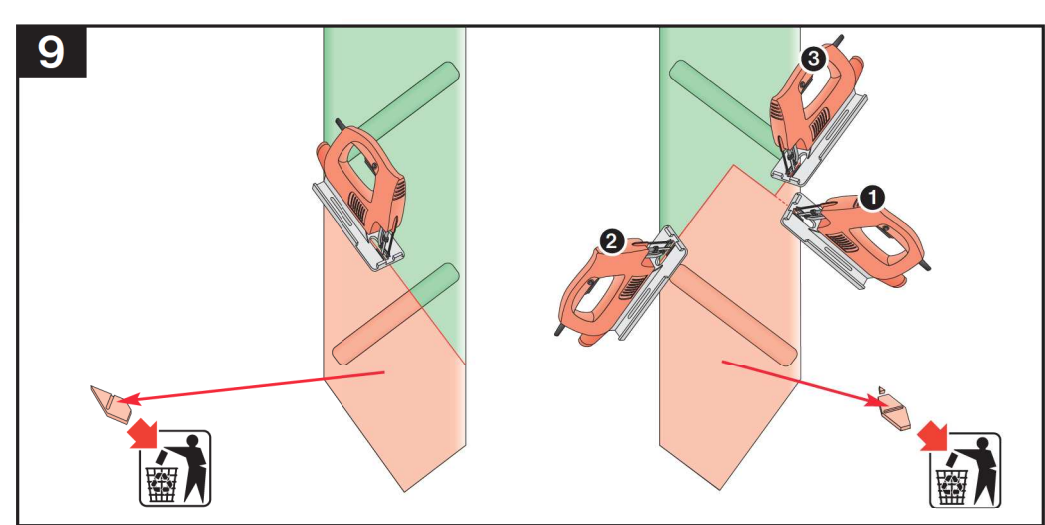
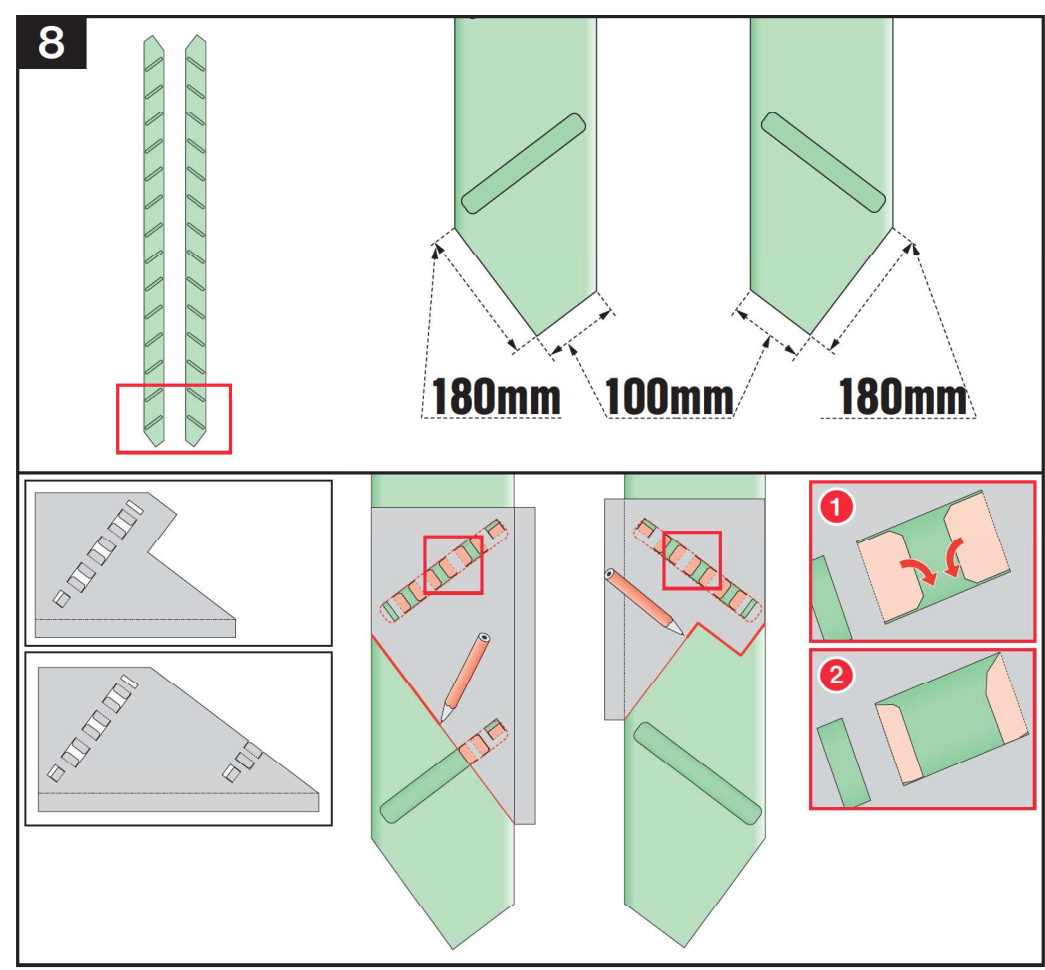
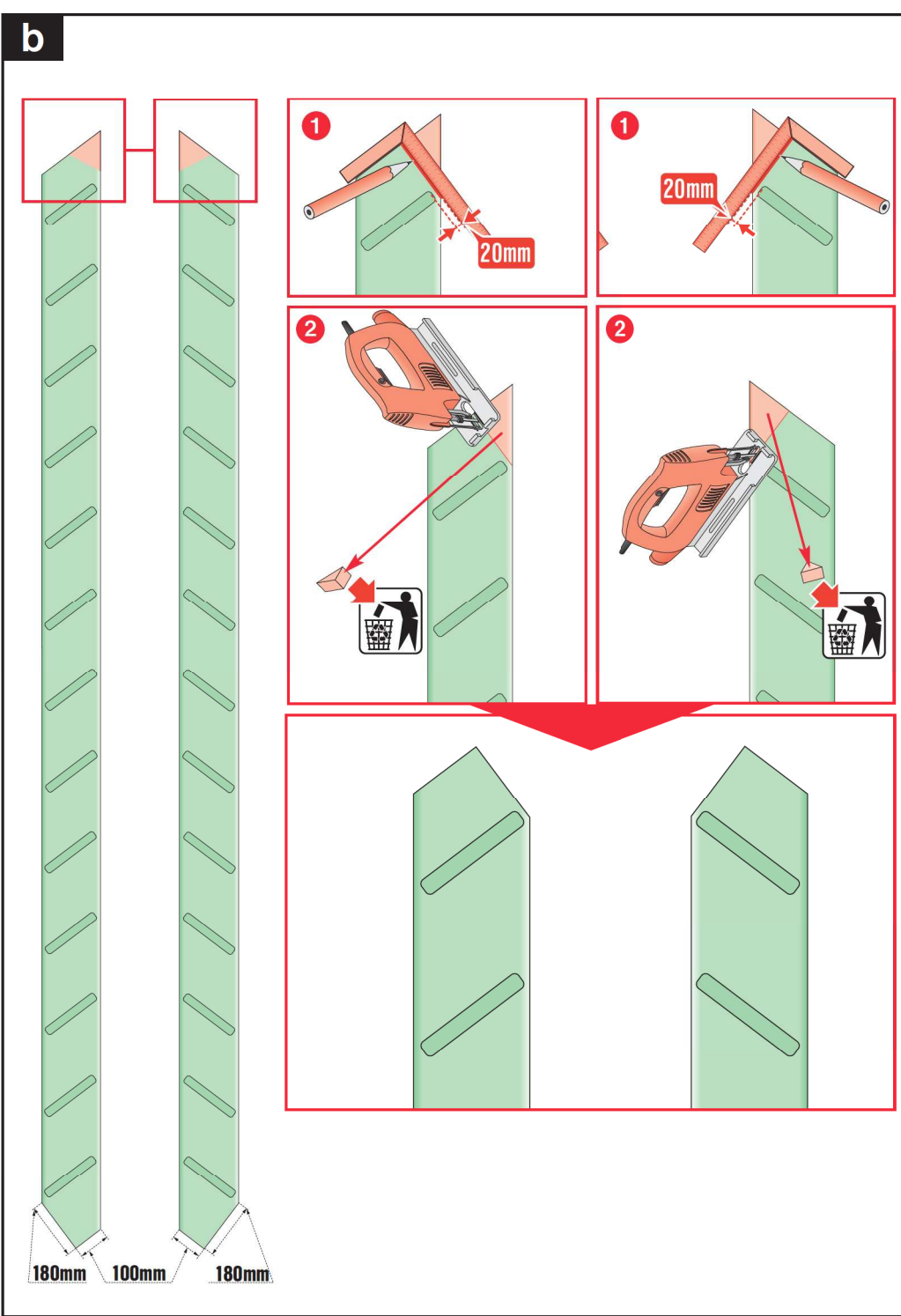


- 1 Ø 3 mm
- 2 5x60 mm

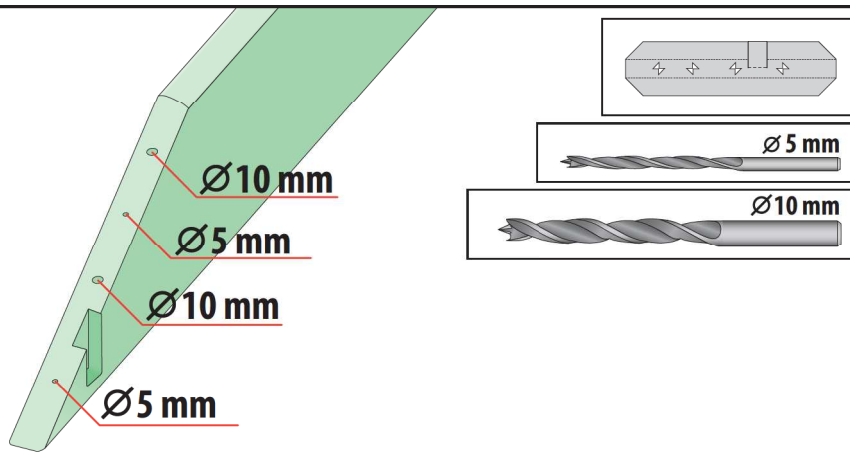


9

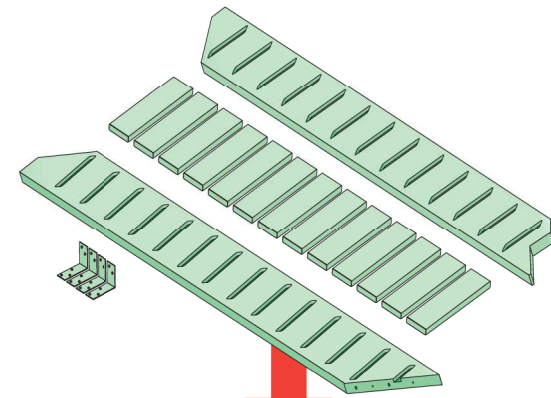
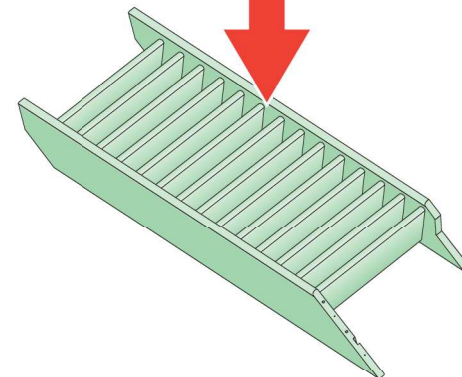




10



11

MSW-R + MSS

MSS

MSW-R

12

MSS

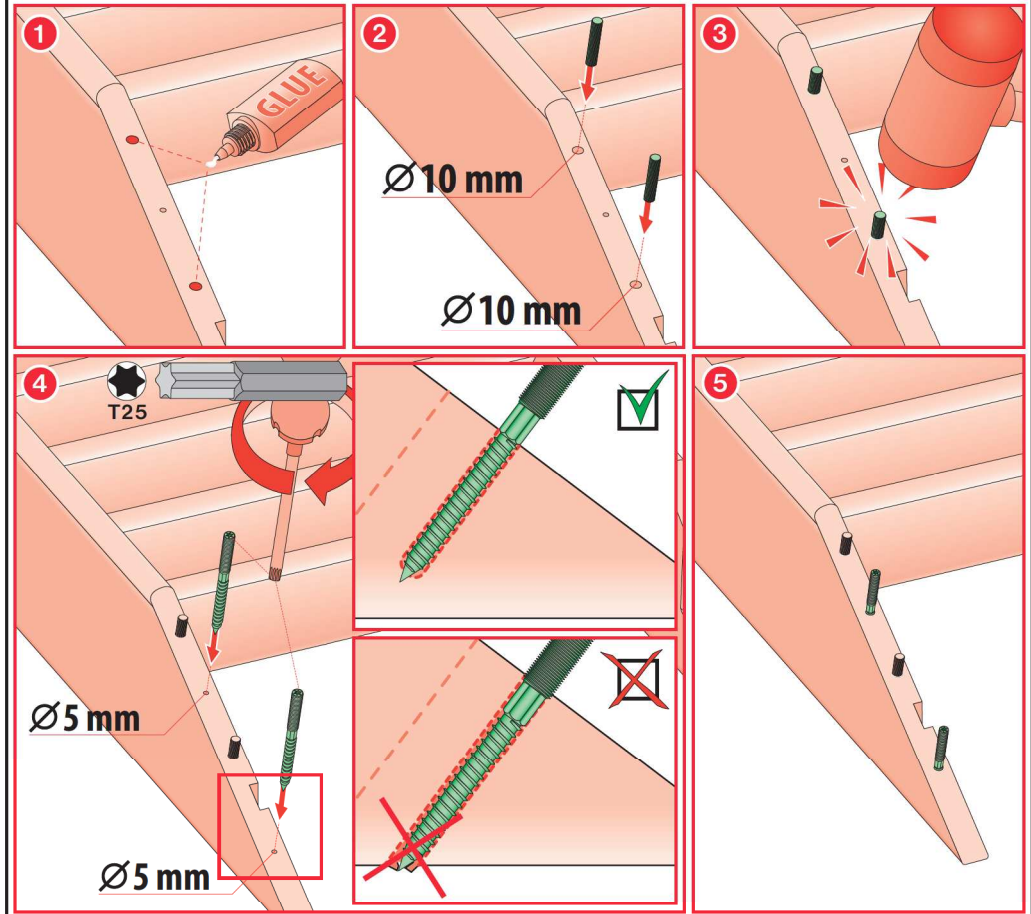
Ø10 mm

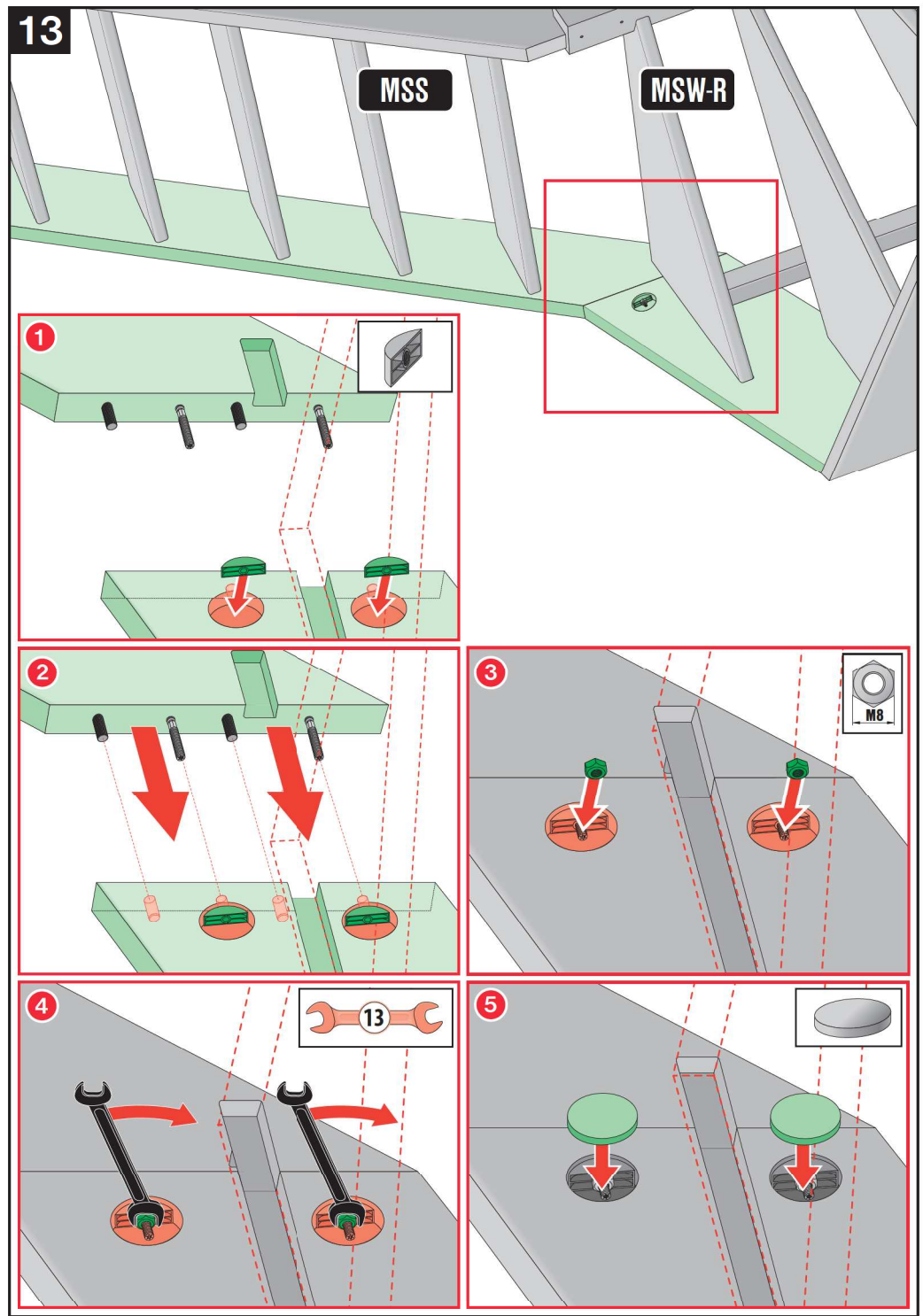
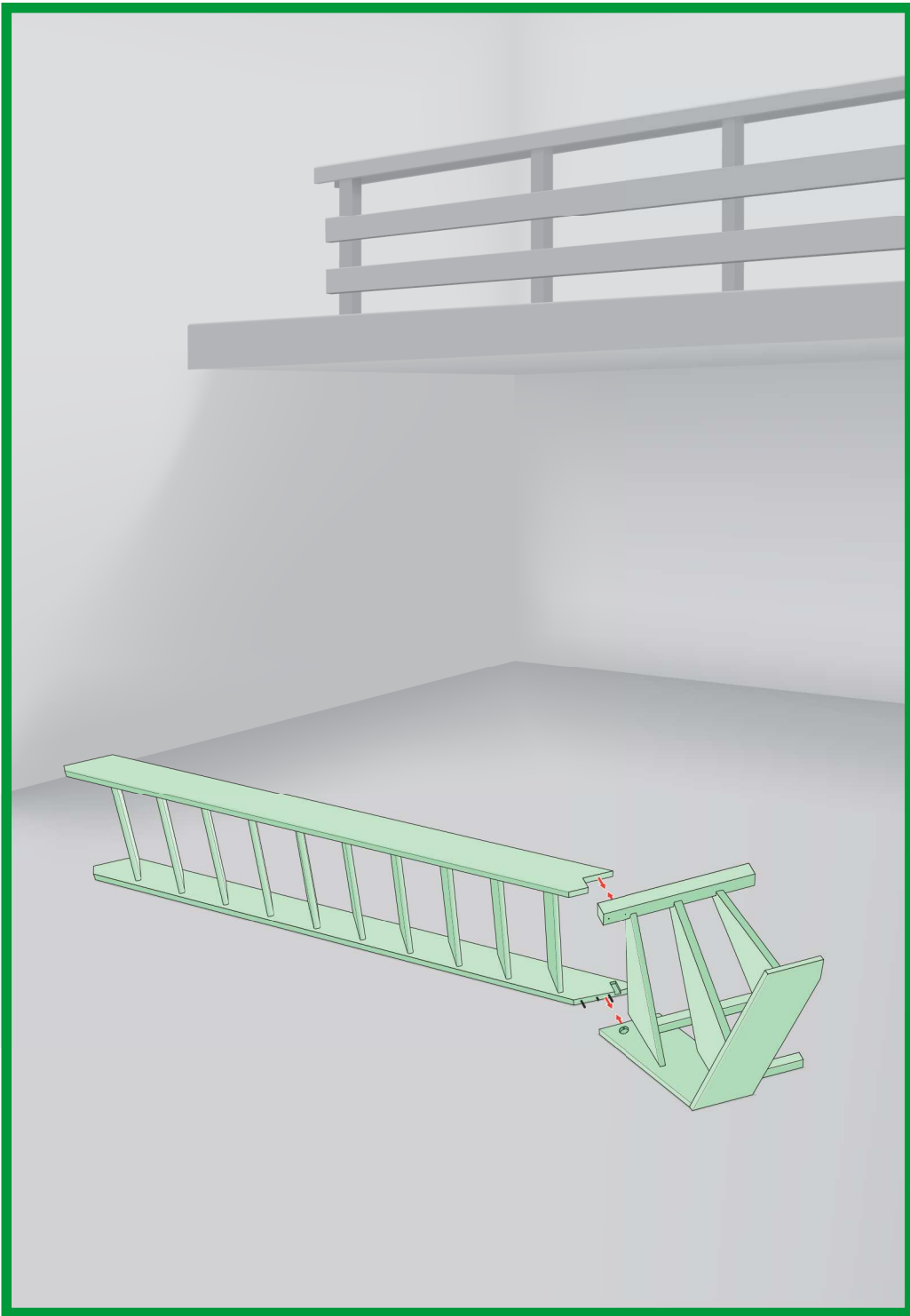
Ø5 mm

Ø10 mm

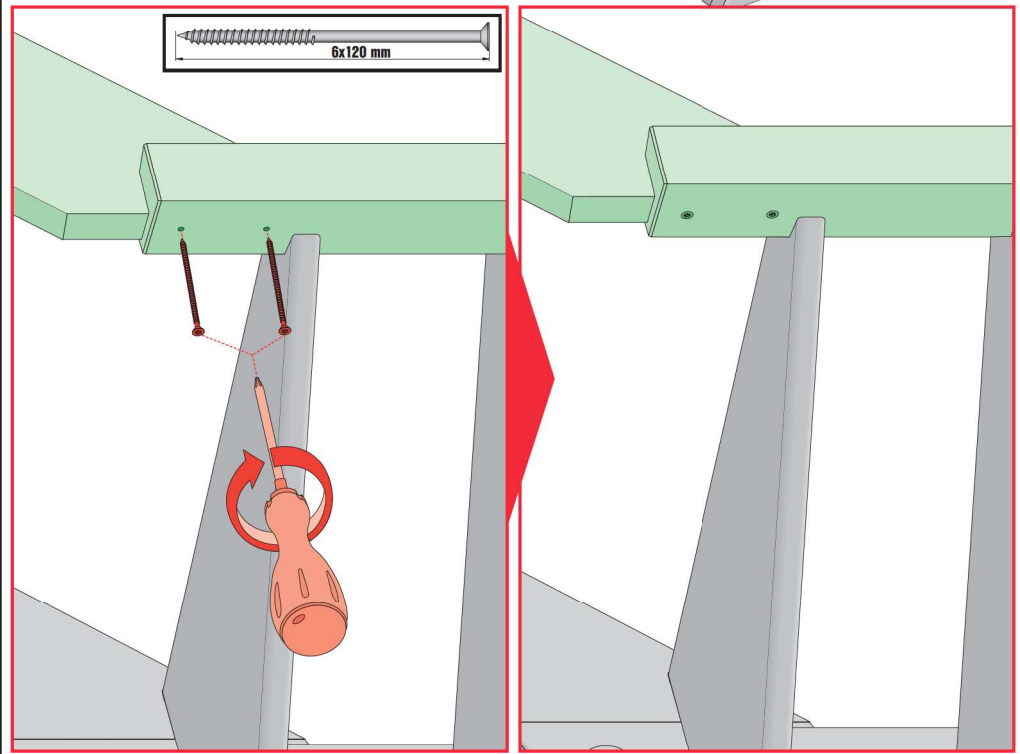
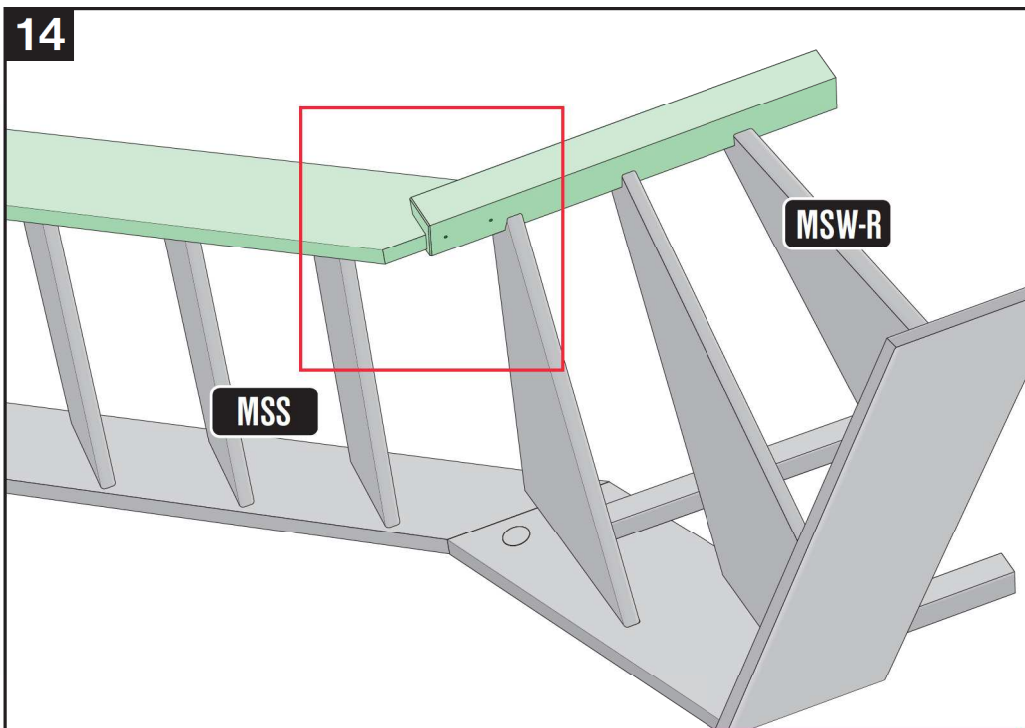
Ø5 mm

Ø10 mm

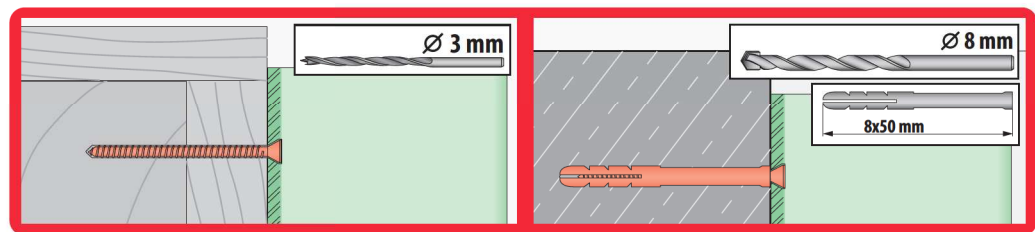




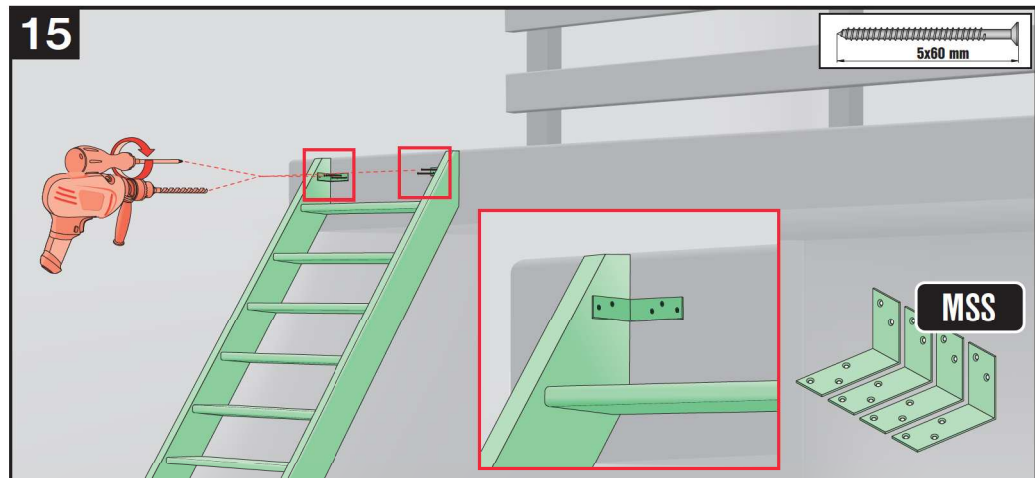
14



20



15



21

