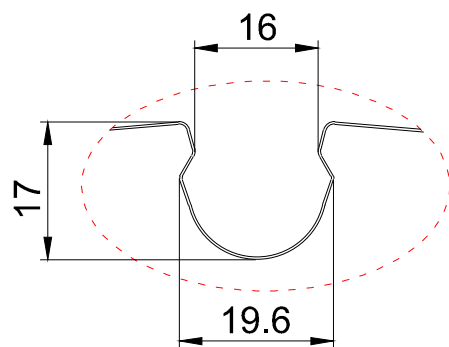
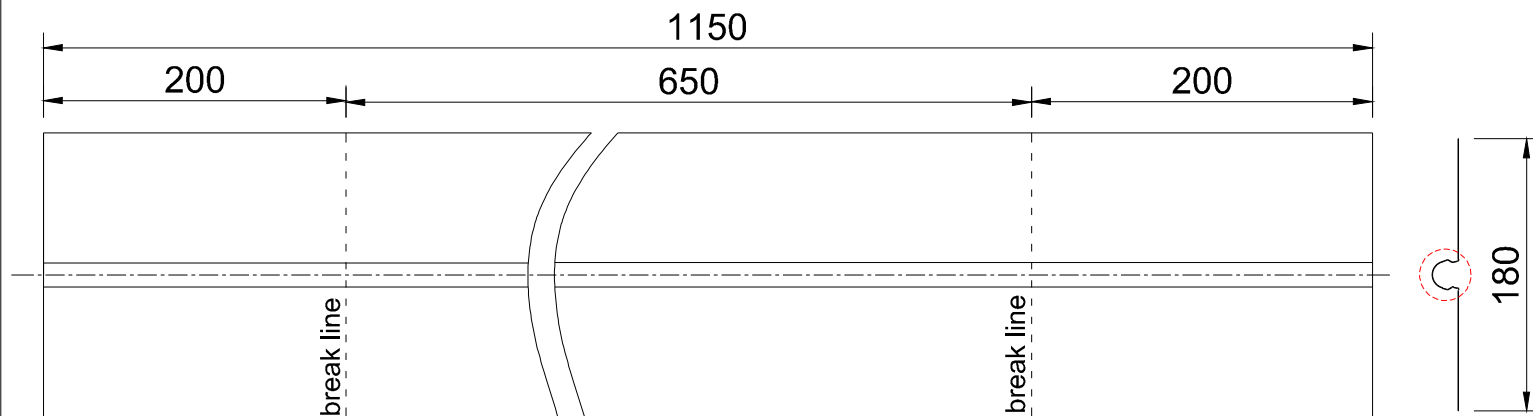


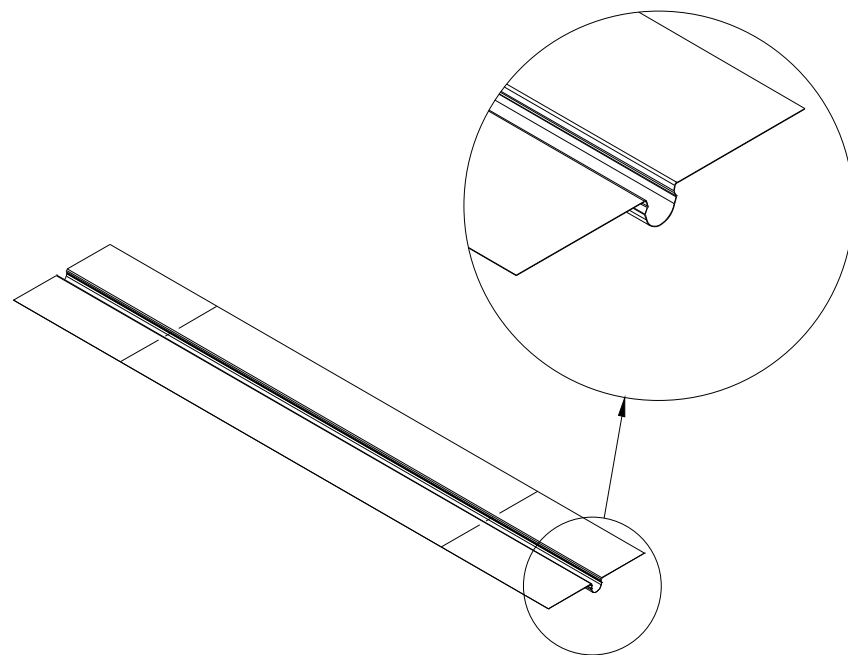
Product: Floor heating plate $\varnothing 16\text{mm} \times 180\text{mm} \times 1150\text{mm}$

Data:	
Scale:	1:5
Material	EN AW-1060-H24
Material thickness	0.3mm \pm 10%
Material length	1150 mm.
Product width	180 mm.



A

1:1



Date	22.02.2024
NO	GP00125-GTB