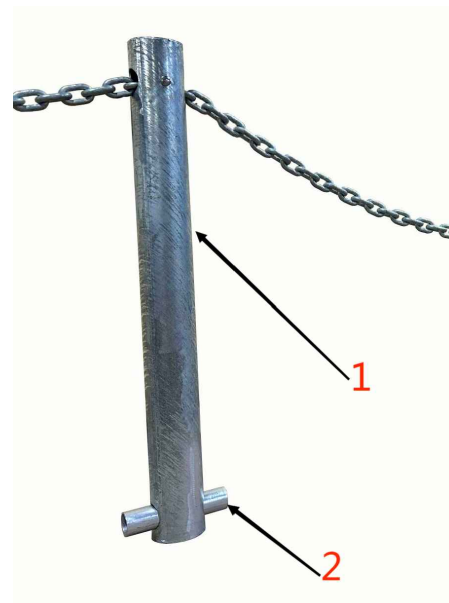
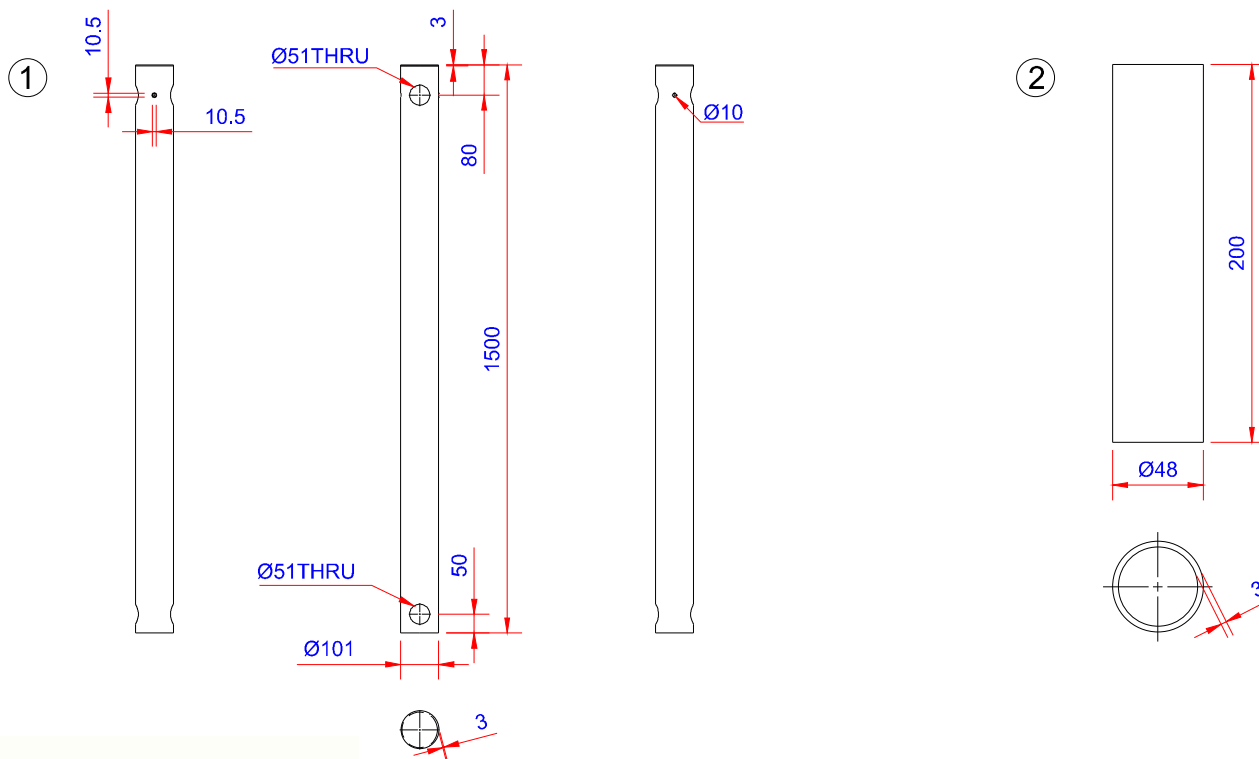


Product:

Pullert  $\varnothing 100\text{mm} \times 1500\text{mm}$

Data:	
Scale:	1:20
Material	Steel Q235
Material thickness	3.0 mm.
Material length	1500 mm.
Total Weight	12.0kg
Pcs/box	

NOTE:  
Surface : Hot Dip Galvanised



Item	Description	Material	QTY
1	Pole $\varnothing 100 \times 1500\text{mm}$	Q235	1
2	Cross pin $\varnothing 48 \times 200\text{mm}$	Q235	1
3	Hexagon lock nut M8	SUS304	1
4	Cup head square neck bolts M8x120mm	SUS304	1
5	Large Washer M8	SUS304	1

Date	16.03.2023
NO	PU00111-GTB