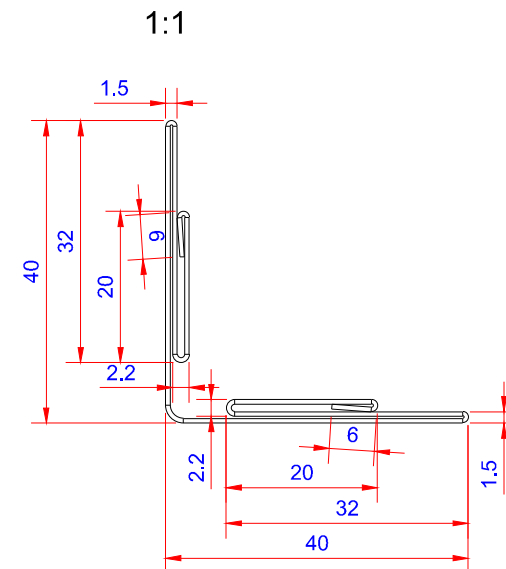
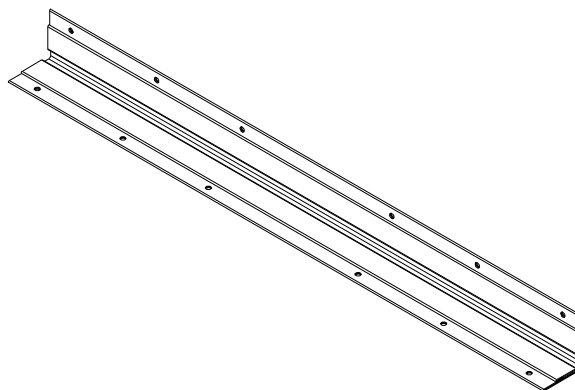
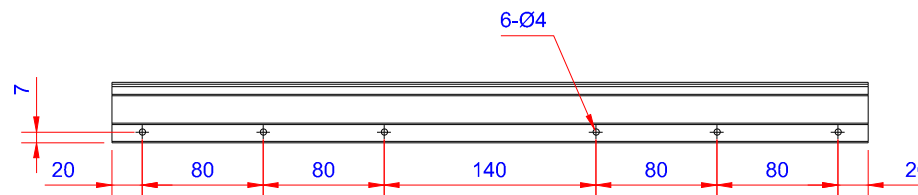
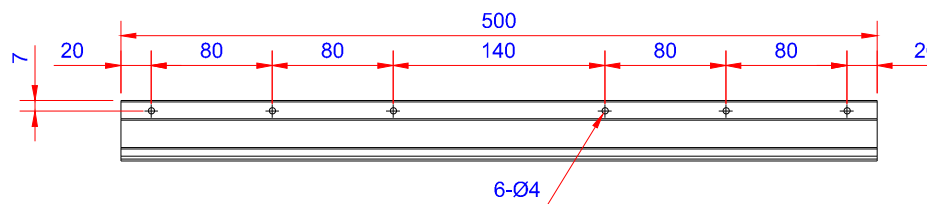


Product:

Fals 500mm ALU 0,6mm - Indvendig Hjørne

Data:	
Scale:	1:5
Material:	EN AW-1060-H24
Material thickness:	0.6 mm.
Material length:	500 mm.
Pcs/pallet:	
Pcs/box:	

NOTE:



Date	27.04.2023
NO	TP21002-GTB