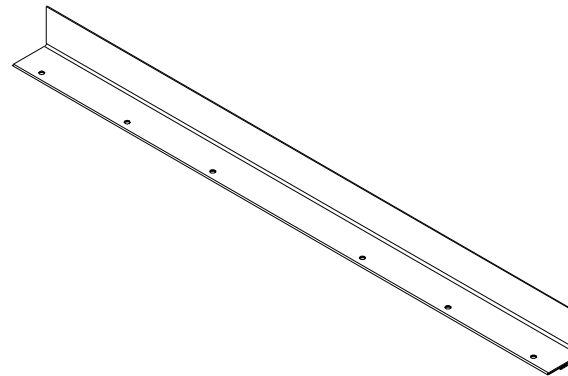
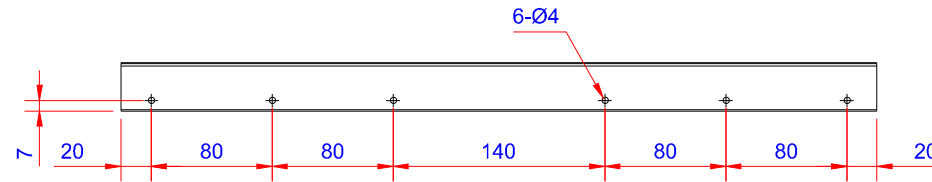
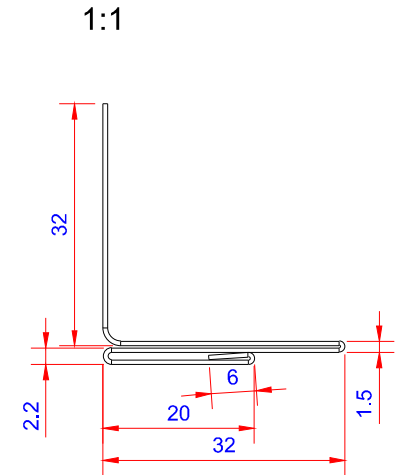
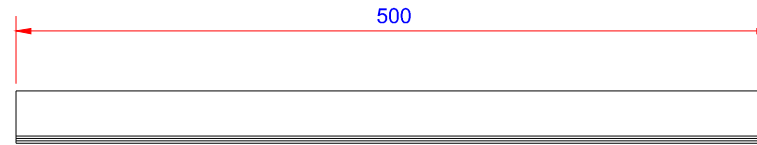


Product:

Stop fals 500 mm ALU 0,6mm

Data:	
Scale:	1:5
Material	EN AW-1060-H24
Material thickness	0.6 mm.
Material length	500 mm.
Pcs/pallet	
Pcs/box	

NOTE:



Date	25.03.2022
NO	TP21004-GTB