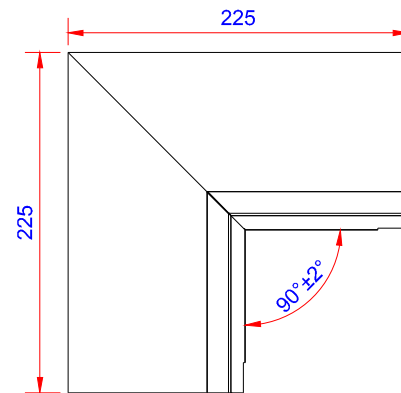
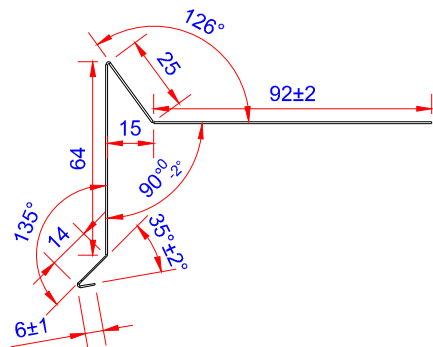


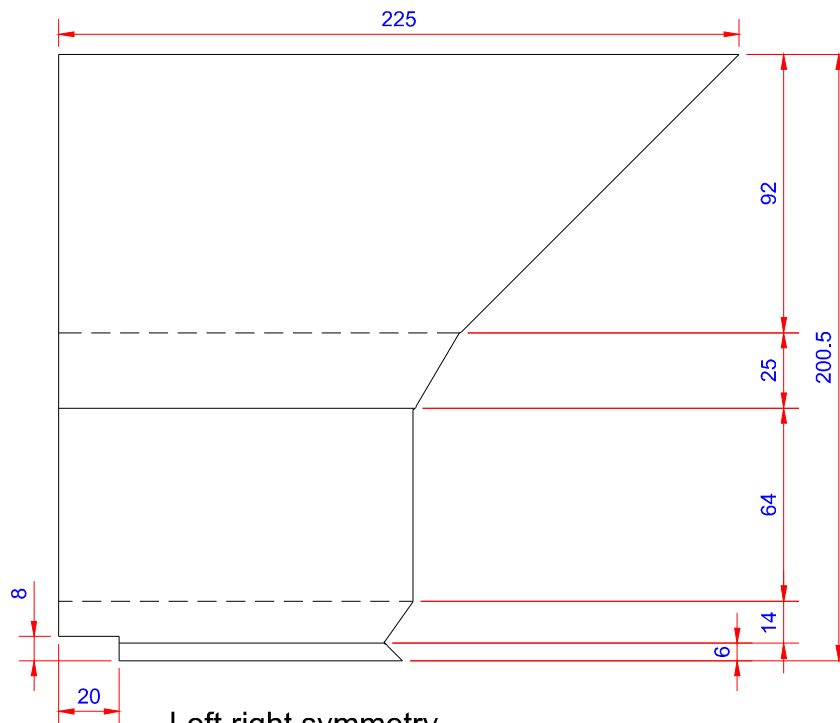
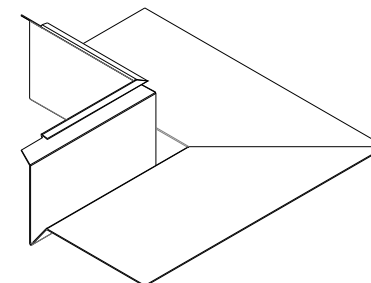
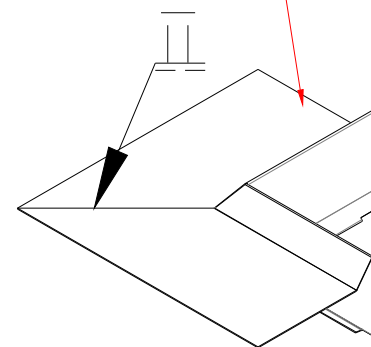
Product: Vindskede 100mm vinkel - indvendig hjørne - SORT

Scale:	1:2.5
Angle	±1.0 Deg.
Dimension	±0.6mm.
Material	EN AW-1060-H24
Material thickness	0.6 mm.
Material length	225 mm.
Pcs/pallet	
Pcs/box	

NOTE:
 Black paint, RAL9005



This side is black paint+film.



Left right symmetry

Drawing by	Albert
Check by	Jones
Approved by	<i>Gunn</i>
Drawing date	17.05.2024
Revision date	
Revision number	A
Drawing number	TPB03201