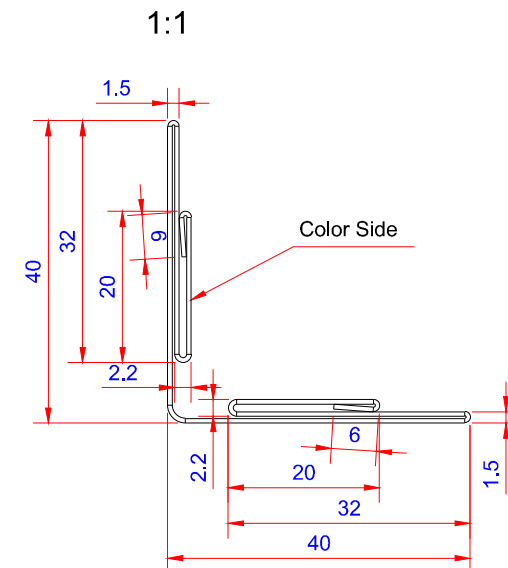
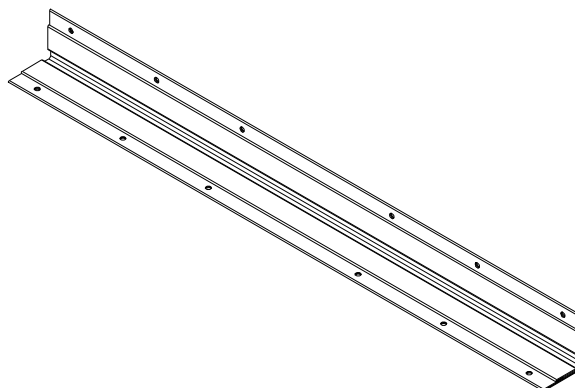
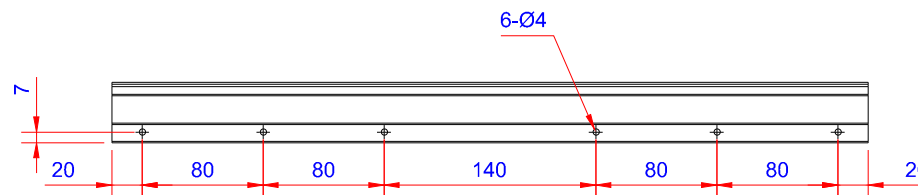
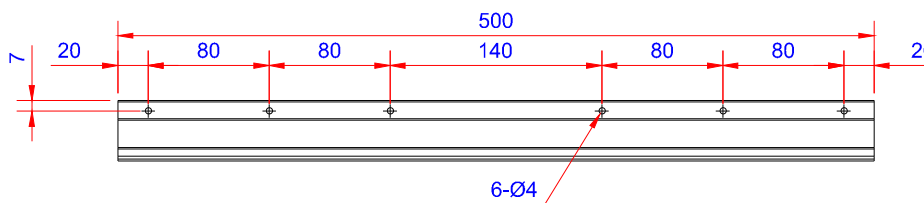


**Product:** Fals 500mm ALU SORT 0,6mm - Indvendig Hjørne

Data:	
Scale:	1:5
Material:	EN AW-1060-H24
Material thickness:	0.6 mm.
Material length:	500 mm.
Pcs/pallet:	
Pcs/box:	

**NOTE:**  
 BLACK WITH FILM RAL 9005



Date:	27.04.2023
NO:	TPB21002-GTB