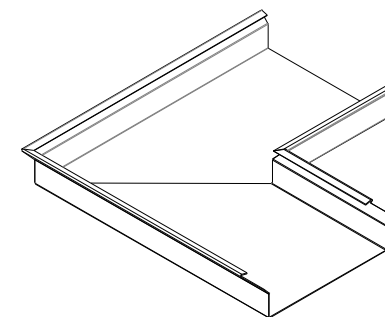
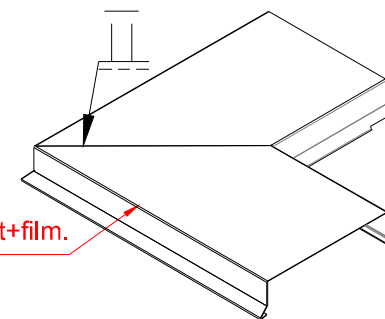
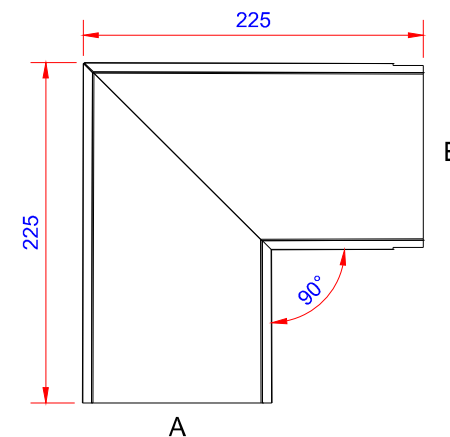
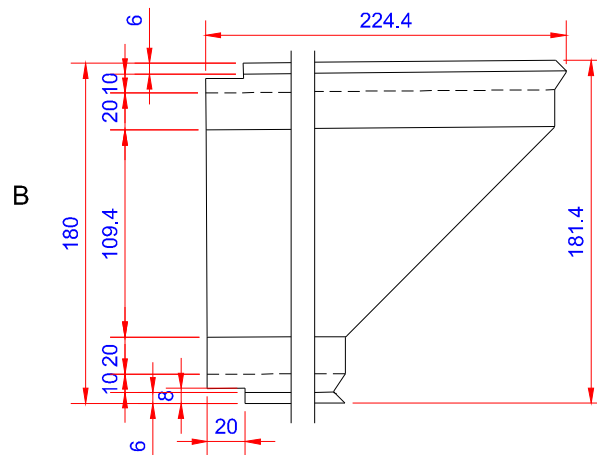
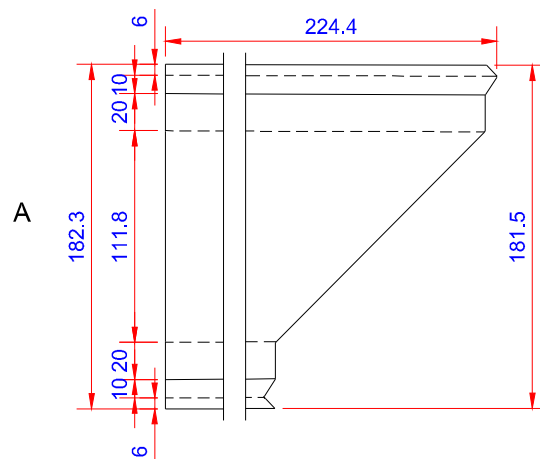
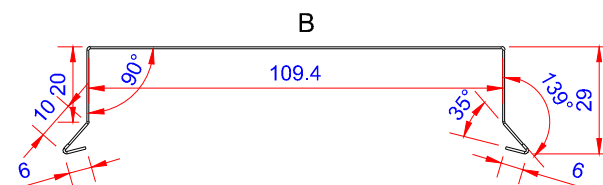
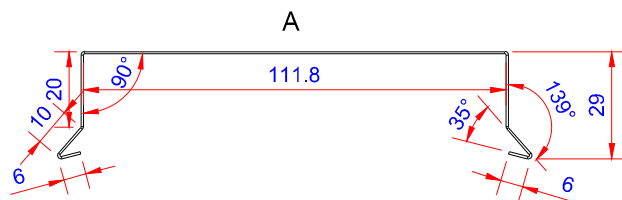


Product:

Stern kapsel 110mm vinkel 90 - HVID

Data:	
Scale:	1:2
Material	EN AW-1060-H24
Material thickness	0.6 mm.
Material length	225 mm.
Pcs/pallet	
Pcs/box	

NOTE:  
White paint, RAL9010



Date	17.03.2023
NO	TPW04105-GTB