

# GT-BUILD

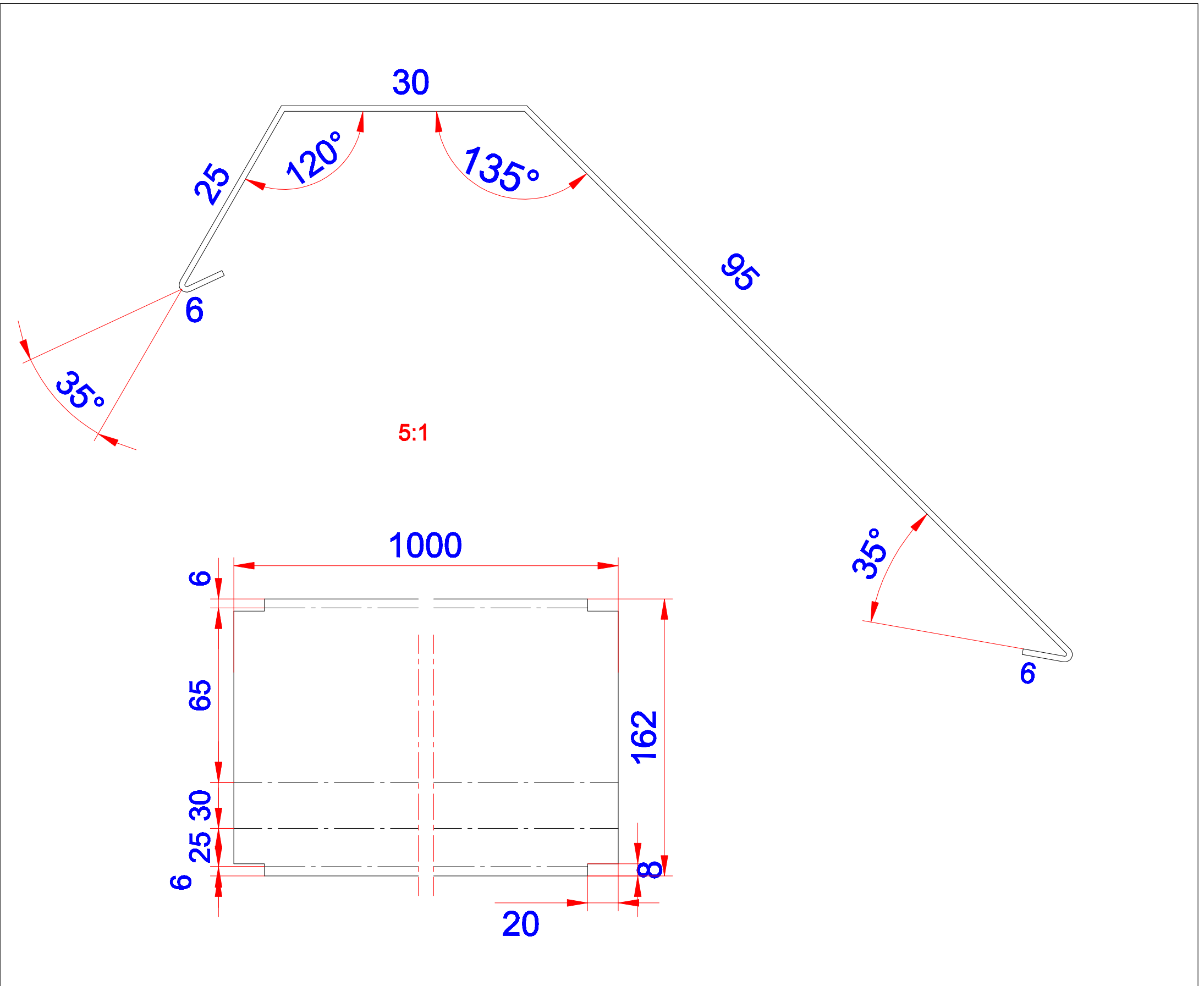
Product:

Zink Sternkapsel Type 95

Data:

Scale:	5:1
Material	Zink
Material thickness	0.65 mm.
Material length	1000 mm.
Pcs/pallet	
Pcs/box	

NOTE:



Date 13.06.2018

NO. TPZ06002-GTB