

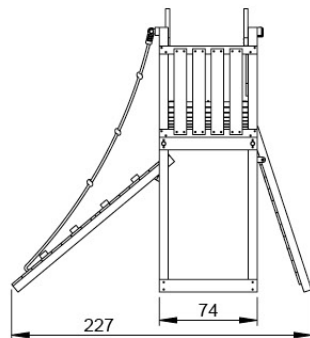
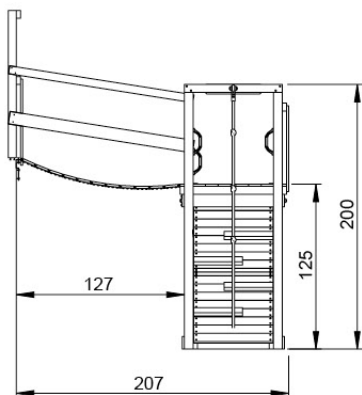
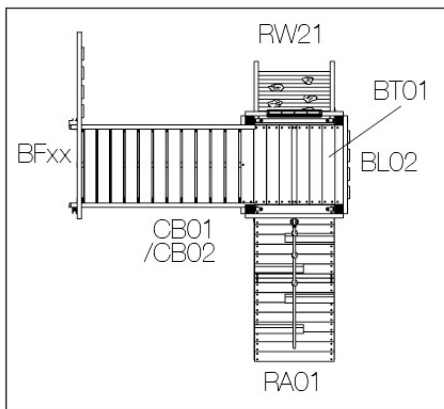
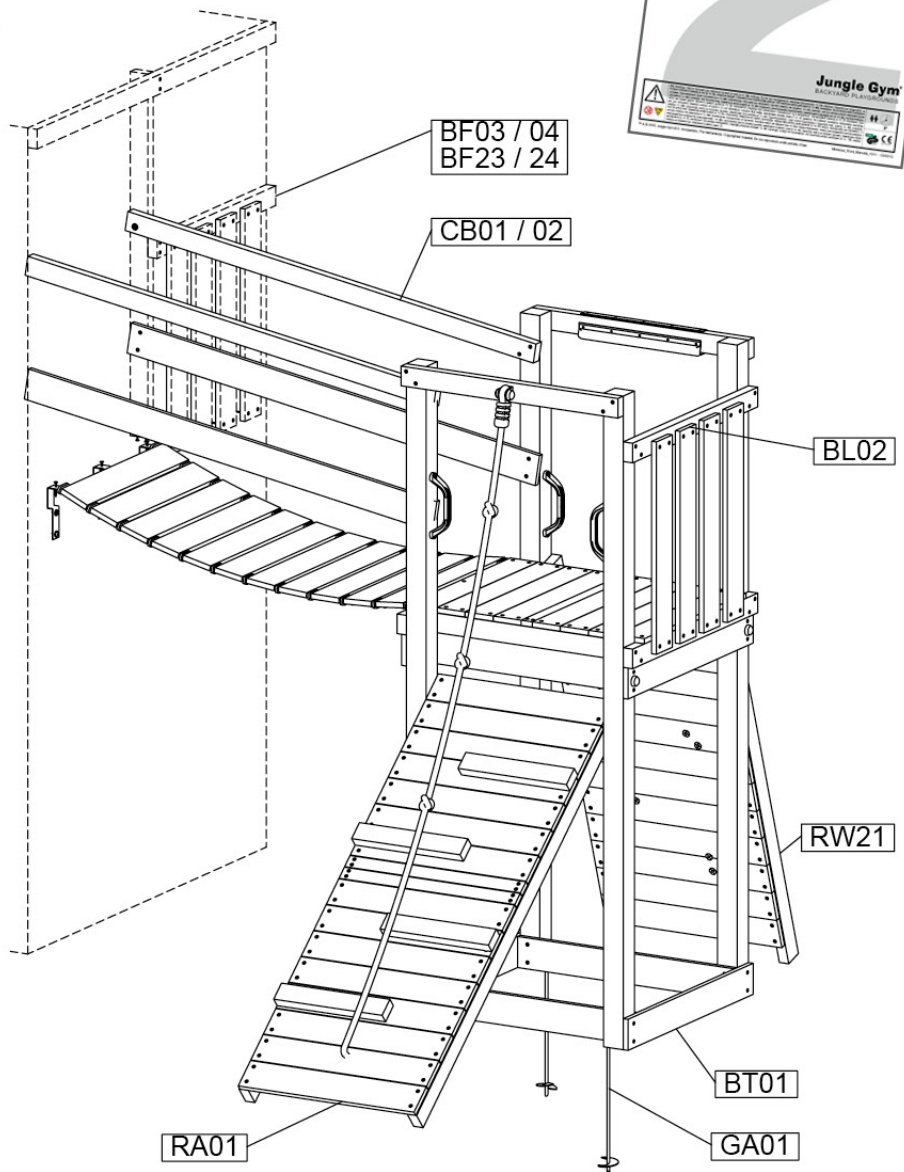
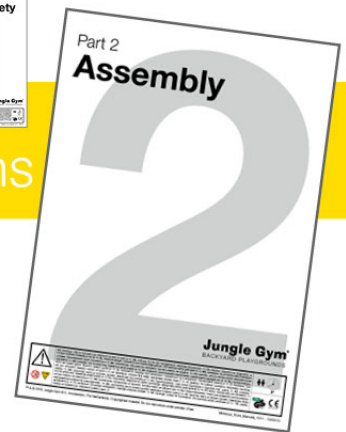
# Part 2

# Assembly

Instructions

## Bridge Module 2.1

850\_240

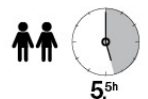


**Jungle Gym**  
BACKYARD PLAYGROUNDS

since 1988



**EN.** Warnings. Only for domestic use. Maximum number of users is 5. **DE.** Achtung. Nur für den Hausgebrauch. Maximale Benutzerzahl: 5. **FR.** Attention. Réserve à un usage familial. Le nombre maximal d'utilisateurs est de 5. **NL.** Waarschuwingen. Uitsluitend voor huishoudelijk gebruik. Het maximale aantal gebruikers is 5. **BG.** Внимание. За употреба само в домашни условия. Максималният брой потребители е 5. **CS.** Varování. Jen pro domácí použití. Maximální počet uživatelů je 5. **DA.** Advarsel. Kun til privat brug. Maksimum antal brugere er 5. **EL.** Προειδοποίησης. Μόνο για οικιακή χρήση. Μέγιστος αριθμός χρηστών 5. **ES.** Advertencias. Solo para uso doméstico. Número máximo de usuarios: 5. **ET.** Hoiatused. Ainult koduseks kasutamiseks. Maksimaalne kasutajate arv on 5. **FI.** Varoitukset. Ainoastaan kotikäyttöön. Käyttäjää yhteensä enintään 5. **HR.** Upozorenja. Samo za kućansku uporabu. Maksimalan broj korisnika je 5. **HU.** Figyelmeztetések. Csak otthoni használatra! A használók max. száma: 5. **IS.** Varnaðarorð. Engöngu fyrir einkanoðkun í heimahúsum og á einkalóðum. Hámarksfjöldi notenda er 5. **IT.** Avvertenze. Solo per uso domestico. Massimo numero di utenti è 5. **LT.** Įspėjimai. Tik buitiniam naudojimui. Maksimalus naudotojų skaičius 5. **LV.** Brīdinājumi. Izmantoj tikai mājās. Maksimālais lietotāju skaits ir 5. **NO.** Advarsel. Kun for privat bruk. Maksimalt antall brukere er 5. **PL.** Ostrzeżenia. Wyłącznie do użytku domowego. Maksymalna liczba użytkowników to 5. **PT.** Avisos. Apenas para uso doméstico. O número máximo de utilizadores é 5. **RO.** Avertismente. Numai pentru uz domestic. Numărul maxim de utilizatori este 5. **RU.** Предупреждения. Только для домашнего использования. Максимальное количество пользователей - 5. **SK.** Upozornenia. Iba na domáce použitie. Maximálne množstvo osôb je 5. **SL.** Opozorila. Samo za domačo uporabo. Maksimalno število uporabnikov je 5. **SR.** Upozorenja. Samo za kućnu upotrebu. Maksimalan broj korisnika je 5. **SV.** Varningar. Endast för hemmabruk. Det maximala antalet användare är 5. **TR.** Uyarılar. Sadece ev kullanımı için. Maksimum kullanıcı sayısı 5.



EN 71-1, 2, 3, 6, 8, 9

# 01 What's in the Delivery?









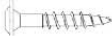

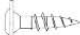

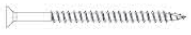





457\_205

 <p>1x 040_805 1x 040_923</p>	 <p>5x 022_50x</p>	 <p>2x 120_102 2x 022_820 4x 001_404</p>	 <p>1x 123_200</p>	 <p>1x 121_215</p>
 <p>3x 121_114</p>	 <p>2x 007_001</p>	 <p>1x 005_053</p>	 <p>2x 005_514</p>	 <p>1x 100_119</p>
 <p>26x 022_911</p>				

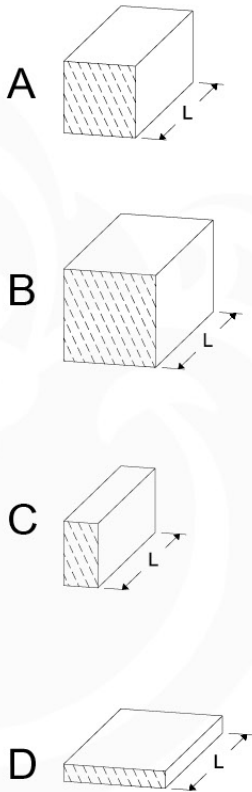
# 02 Hardware

100\_119 Bridge Module 2.1

20220516

001_103	2x		M8 x 40mm	000_101	10x		ø2 x 20mm
001_102	11x		M8 x 30mm	003_010	11x		M8x14.2mm
001_417	4x		ø8 x 80mm	003_040	1x		M8x17.4mm
001_411	1x		ø8 x 60mm	003_034	72x		M6x17.7mm
001_406	6x		ø8 x 45mm	004_010	1x		M8
001_404	4x		ø8 x 30mm	004_052	1x		M8 x 30mm
002_223	56x		ø5 x 80mm	004_050	10x		M8 x 22mm
002_220	260x		ø5 x 45mm	120_005	6x		M8
002_036	72x		ø6.3 x 18mm				
002_041	2x		ø4.5 x 20mm				

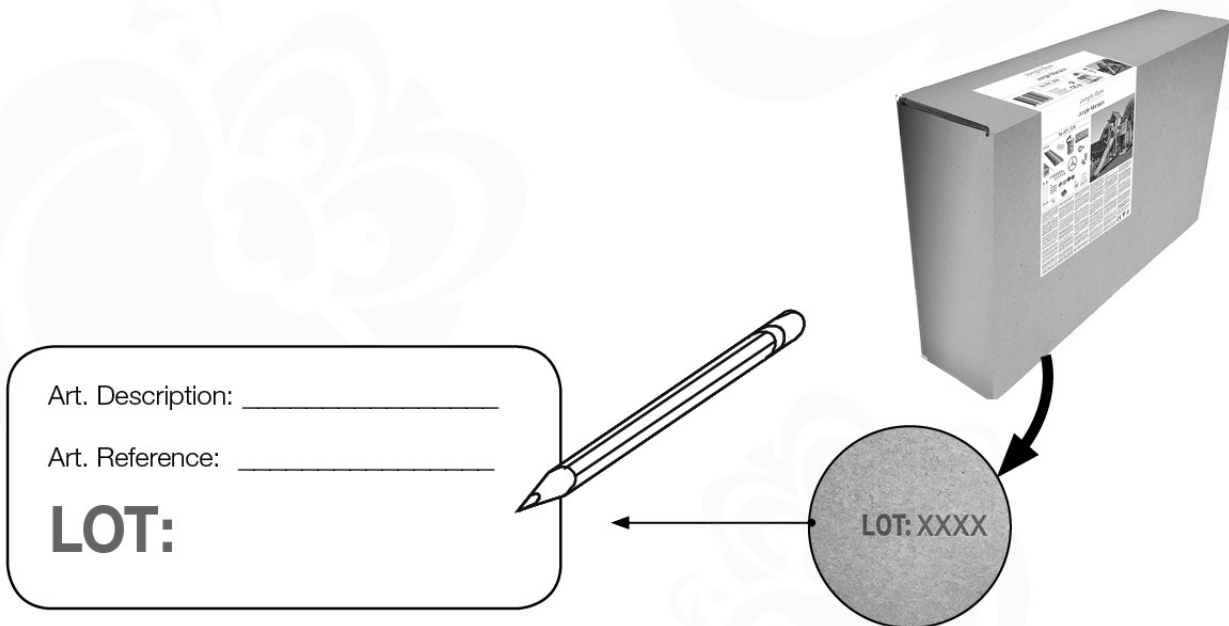
# 03 Timber



		L	657_205
A200	199cm - 200cm		<b>4 x</b>
-			
C154	153cm - 154cm		<b>2 x</b>
C141	140cm - 141cm		<b>3 x</b>
C130	129cm - 130cm		<b>2 x</b>
C114	113cm - 114cm		<b>1 x</b>
C74	73cm - 74cm		<b>8 x</b>
C37	36cm - 37cm		<b>4 x</b>
D141	140cm - 141cm		<b>2 x</b>
D74	73cm - 74cm		<b>8 x</b>
D65	64cm - 65cm		<b>8 x</b>
D60	59cm - 60cm		<b>54 x</b>

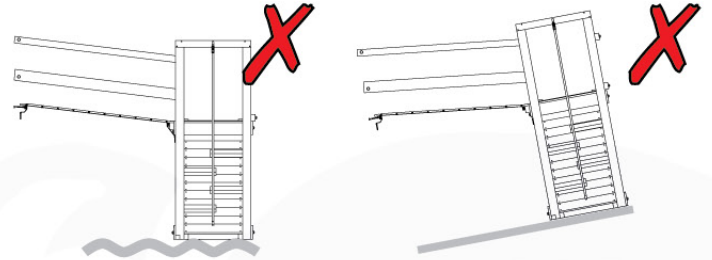
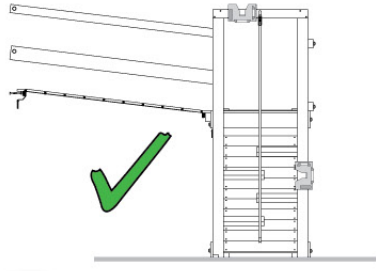
17-Jun-2022

# 04 Product ID

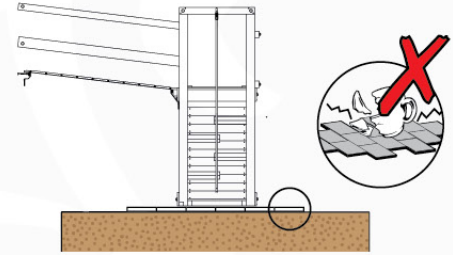
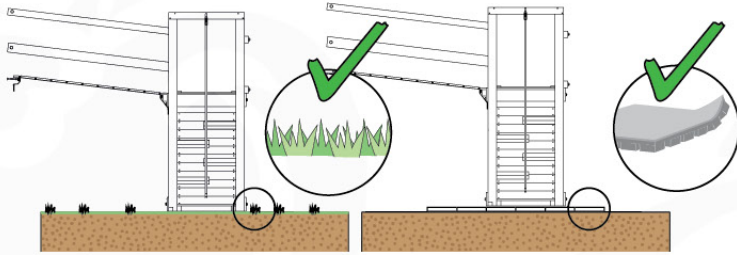


# 05 Safe Playground Planning

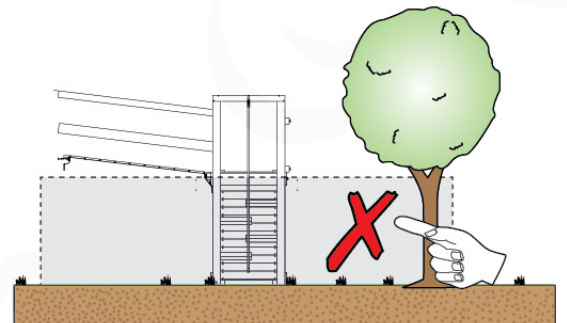
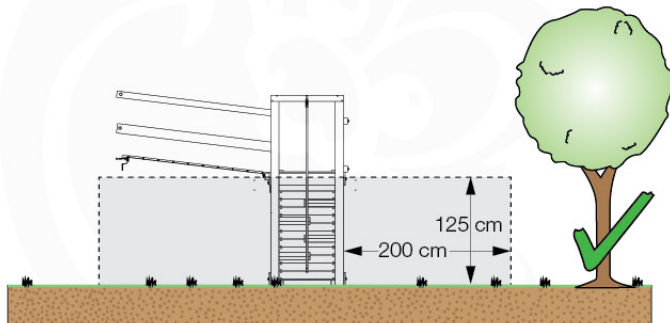
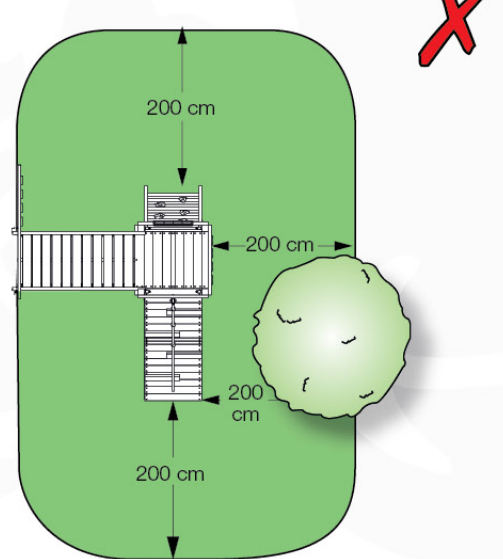
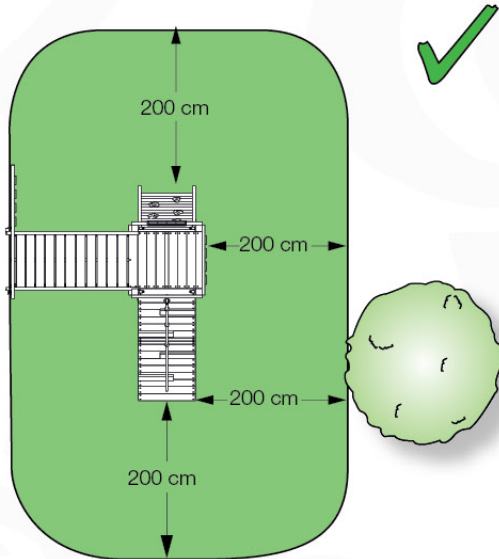
## 05-1



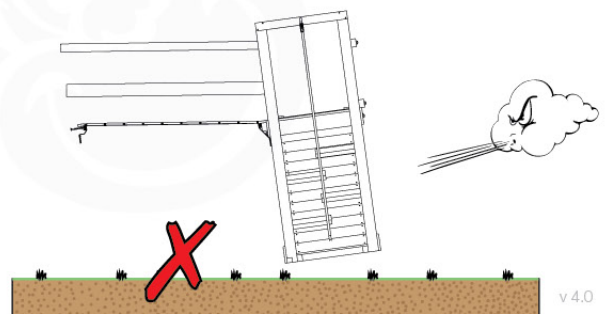
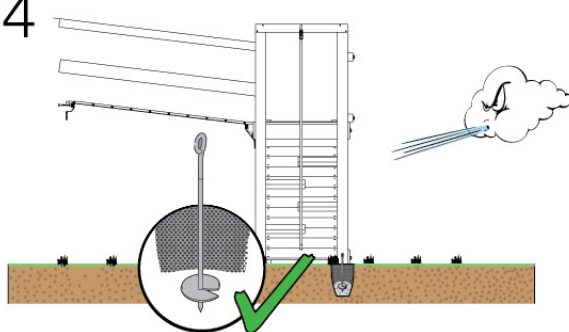
## 05-2



## 05-3

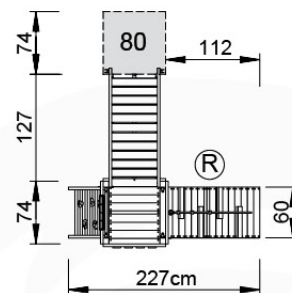
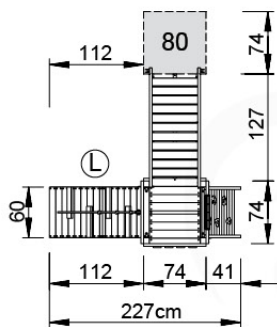


## 05-4

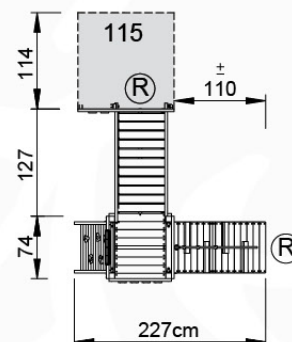
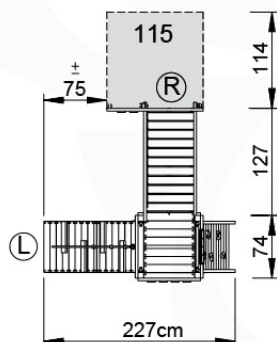
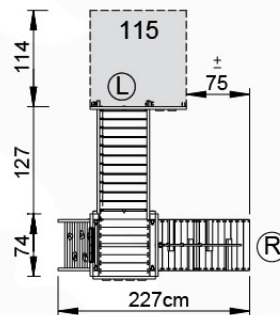
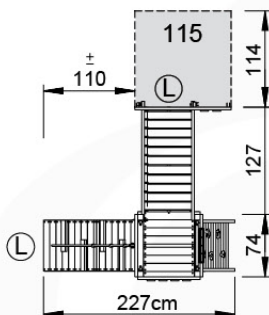


# 05-5 Lay-out options & dimensions

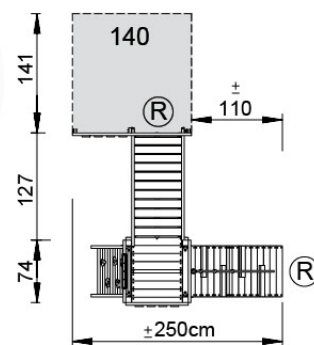
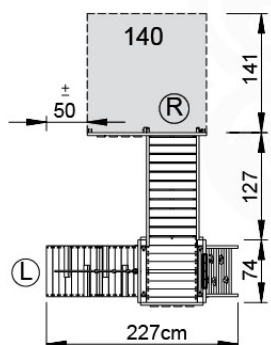
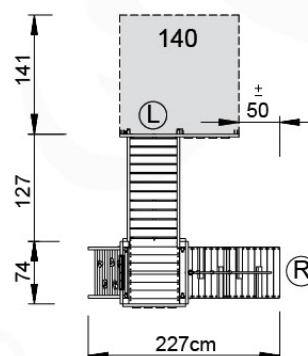
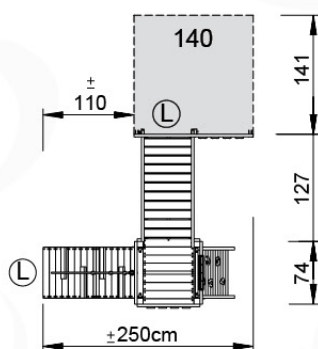
## Base Tower 80



## Base Tower 115



## Base Tower 140



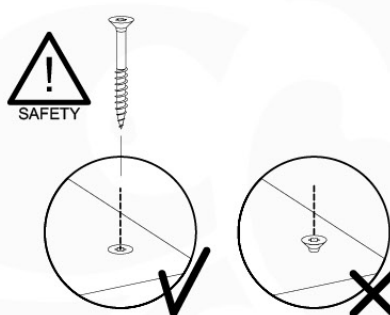
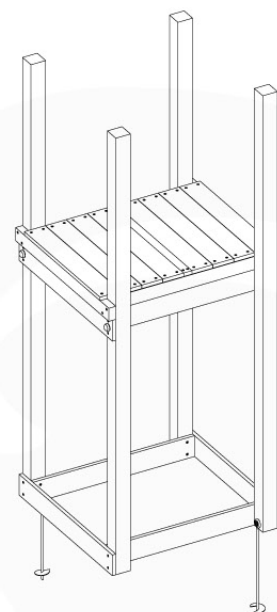
# 06 Base Tower

BT01

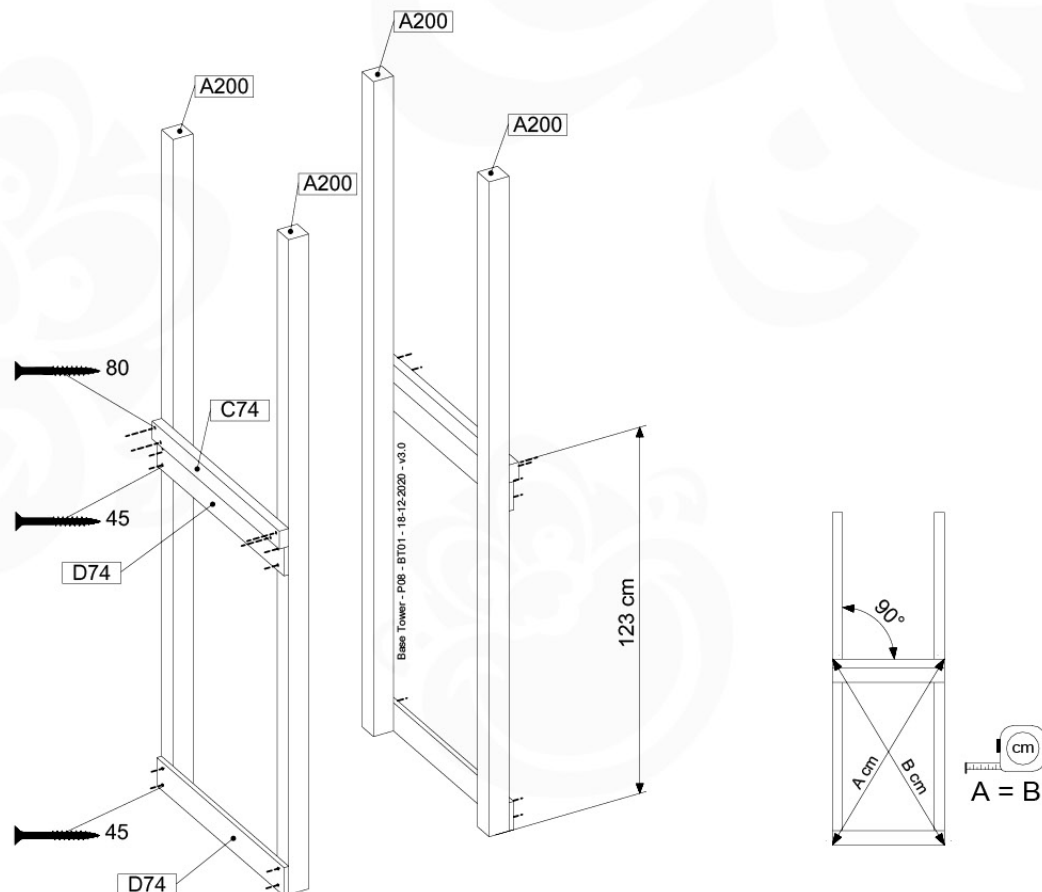
( 194\_100 )

	PartNo	PartName	QTY.
Hardware Pack 100_600	001_406	Stealth Screw 8x45	6
	002_220	Gap Point Screw T25 - 5x45	72
	002_223	Gap Point Screw T25 - 5x80	16
Other	007_001	Ground-anchor	2
Hardware Pack 100_600	022_31x	bpc-base version 3	4
	022_84x	bpc cover	4
Wood	A200	Post 70x70 L2000	4
	C74	Beam 740 mm	4
	D60	Board 600 mm	10
	D74	Board 740 mm	8

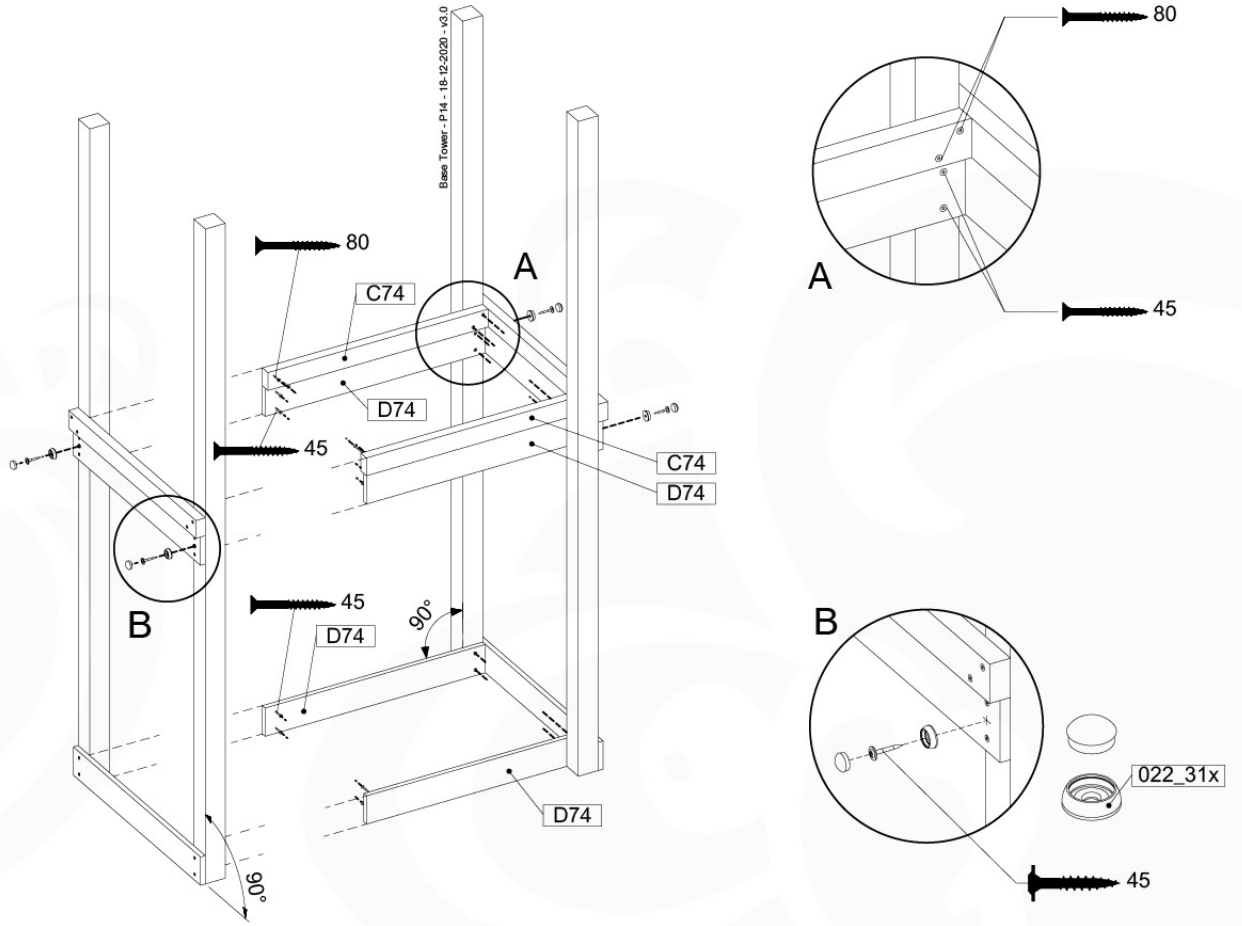
Base Tower - P02 - BT01 - 18-12-2020 - v3.0



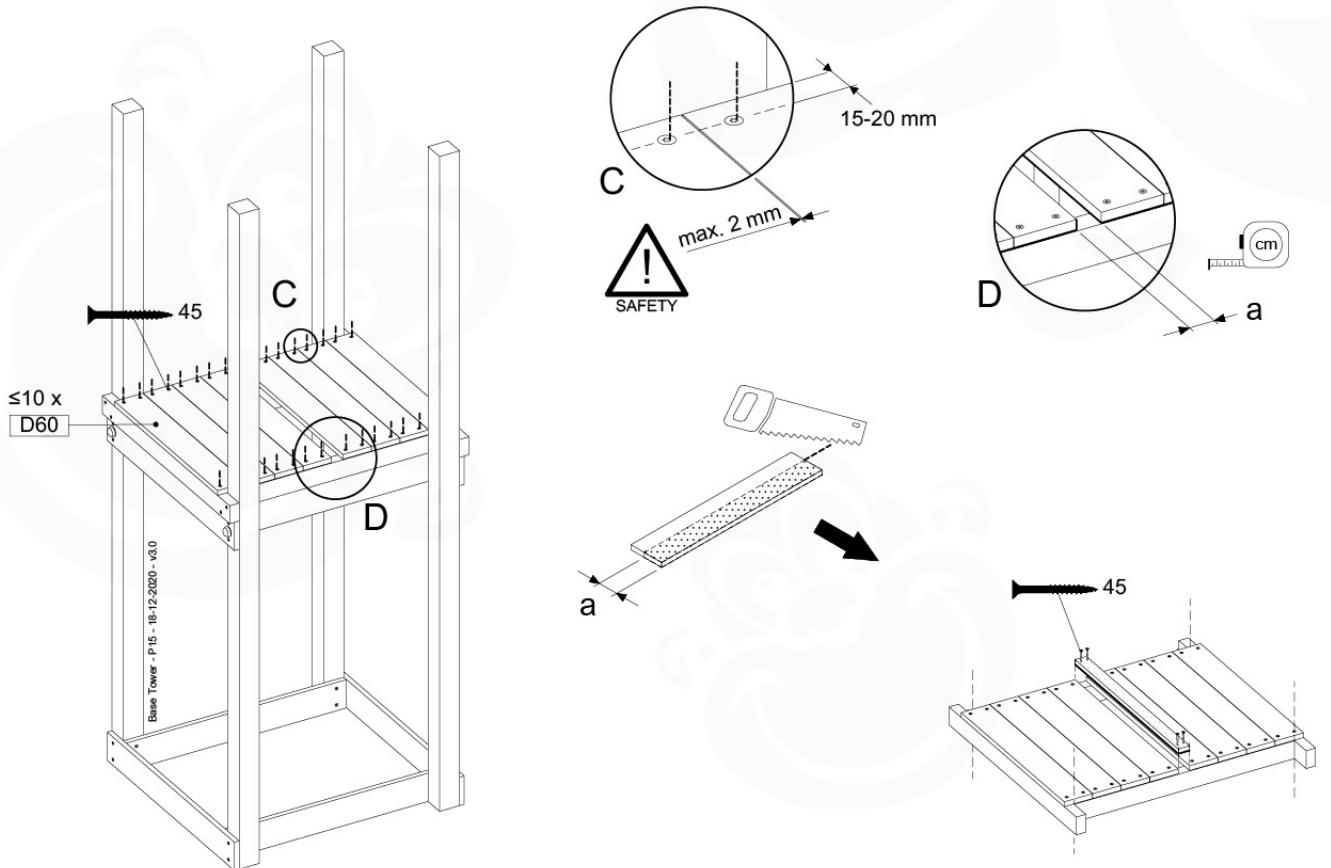
## 06-1



# 06-2



# 06-3

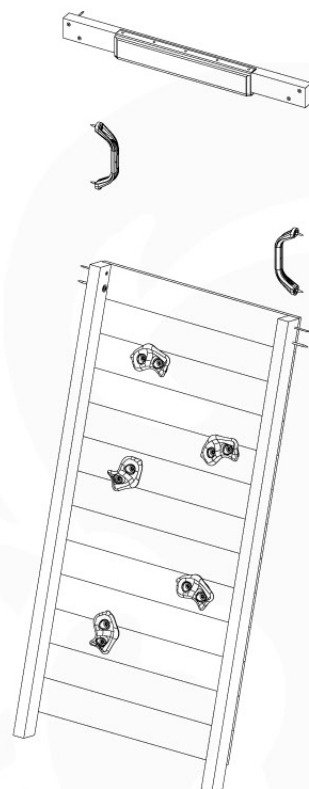


# 07 Rock Wall Diagonal

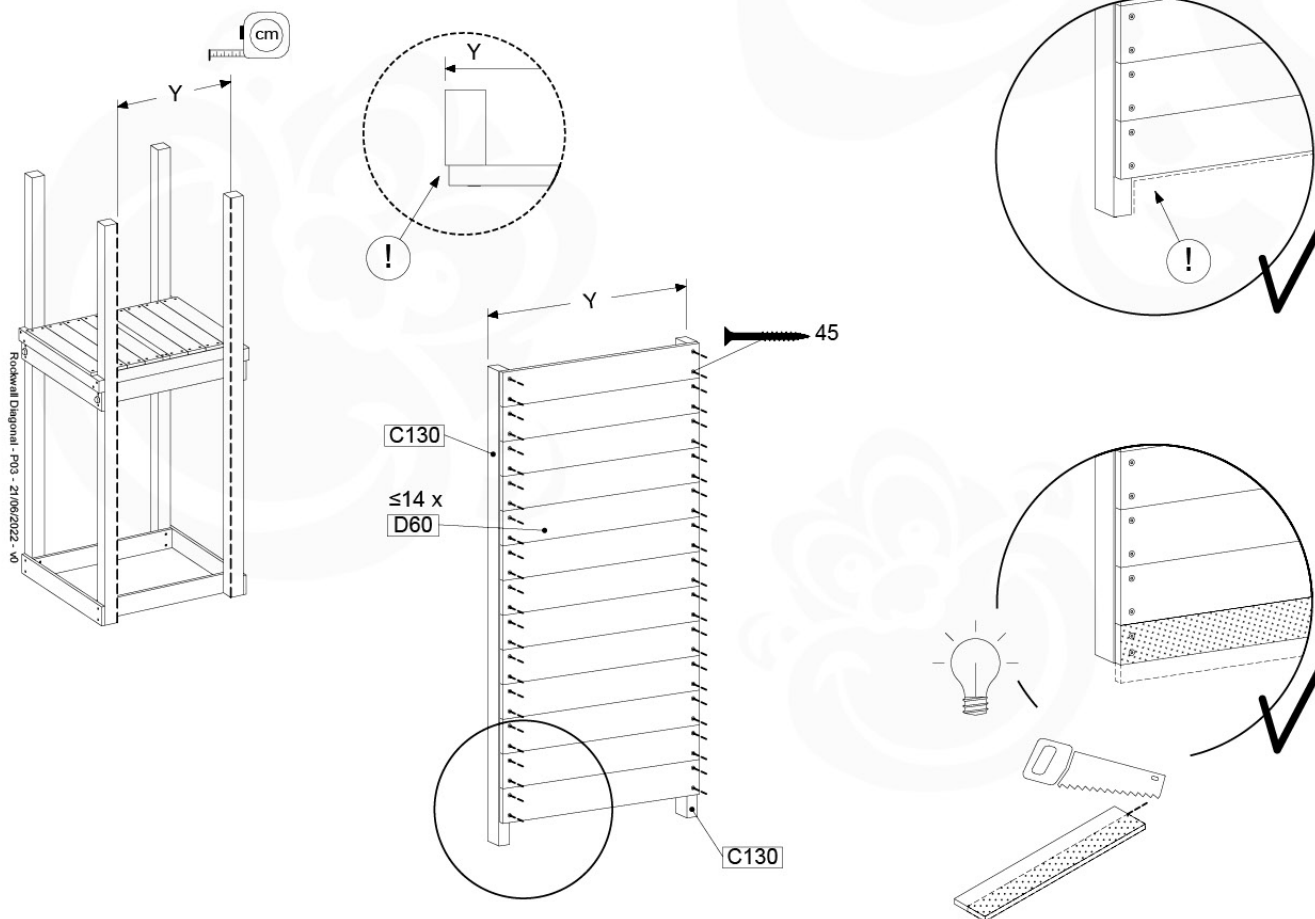
RW21

	PartNo	PartName	QTY.
Hardware Pack	000_101	Nail Pan Head	10
	001_102	Washer Head Screw T40 M8x30	10
	001_404	Stealth Screw 8x30	2
	001_417	Stealth Screw 8x80	2
	002_220	Gap Point Screw T25 - 5x45	56
	002_223	Gap Point Screw T25 - 5x80	6
	003_010	M8 spring lock washer	10
	004_050	M8 Drive-in Nut 22mm	10
Other	005_514	Ladder Bracket	1
	022_50x	Climbing Rock	5
	120_102	Handgrip set (2x Complete)	1
	123_200	Bumperpad	1
Timber	C74	Beam 740 mm	1
	C130	Beam 1300 mm	2
	D60	Board 600 mm	14

Rockwall Diagonal - P02 - 21/06/2022 - v0

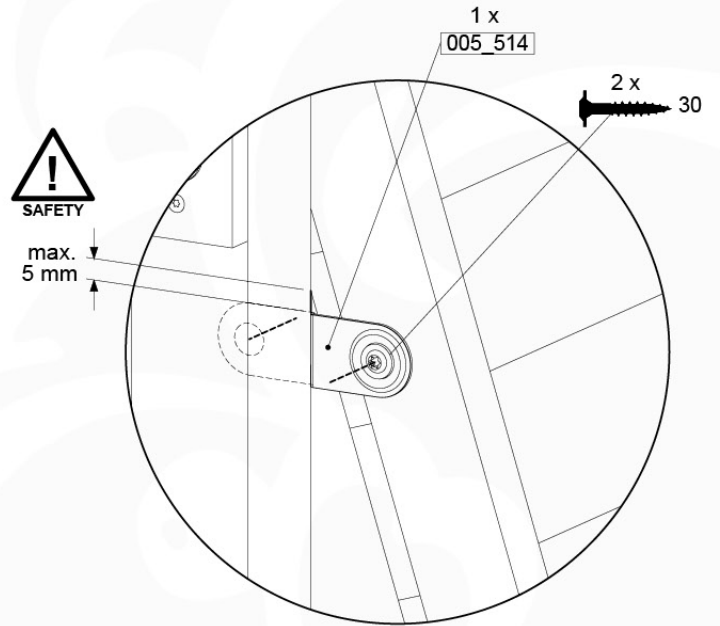
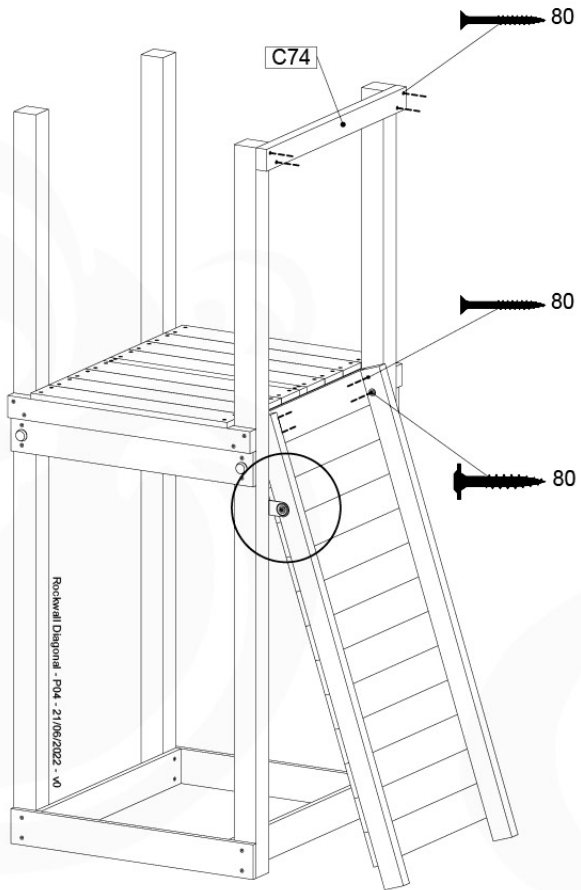


## 07-1

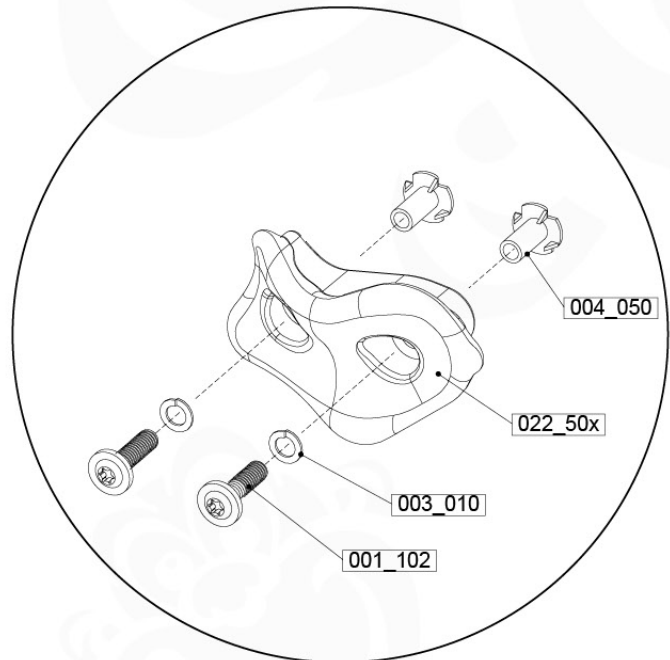
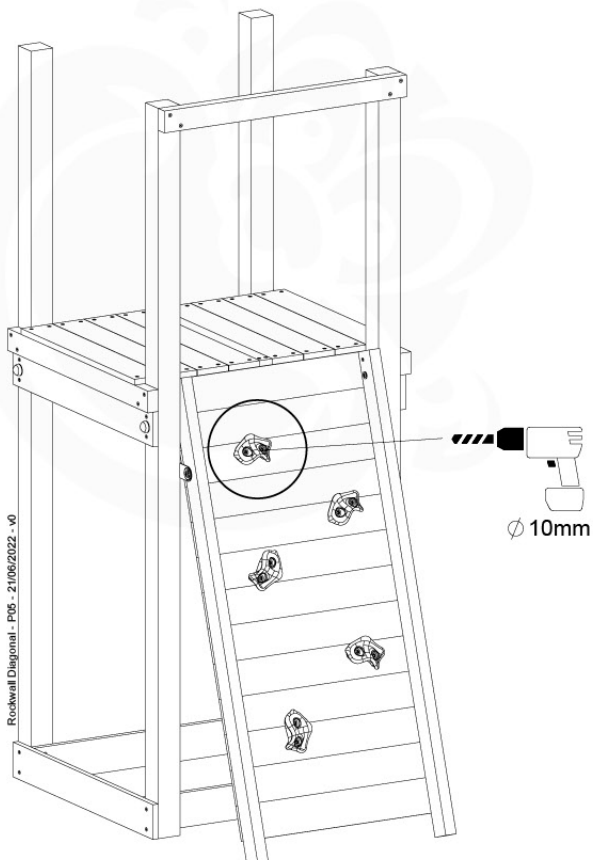




# 07-2

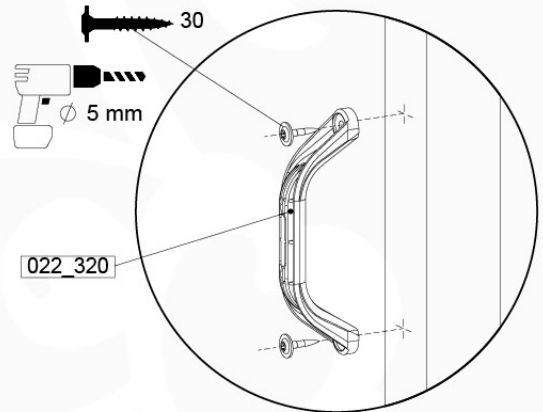
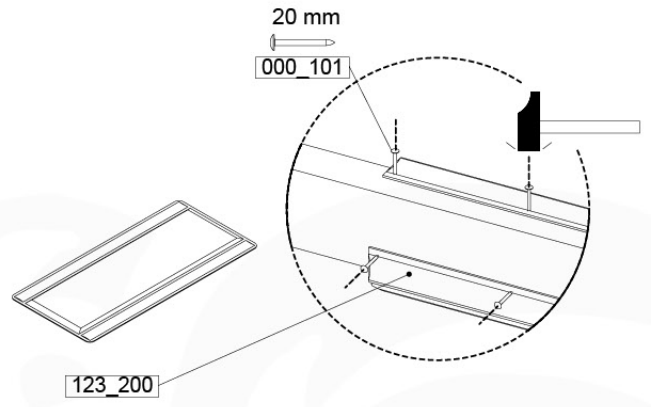
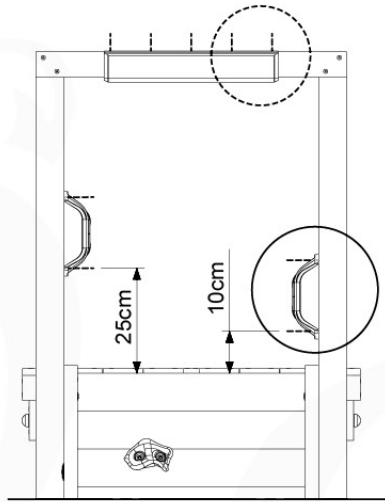
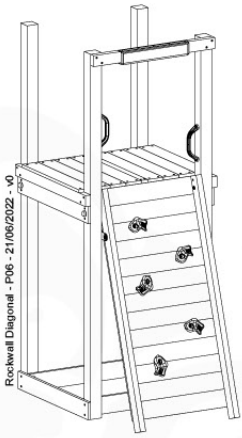


# 07-3



# 07-4

Rockwall Diagonal - P06 - 21/06/2022 - v0

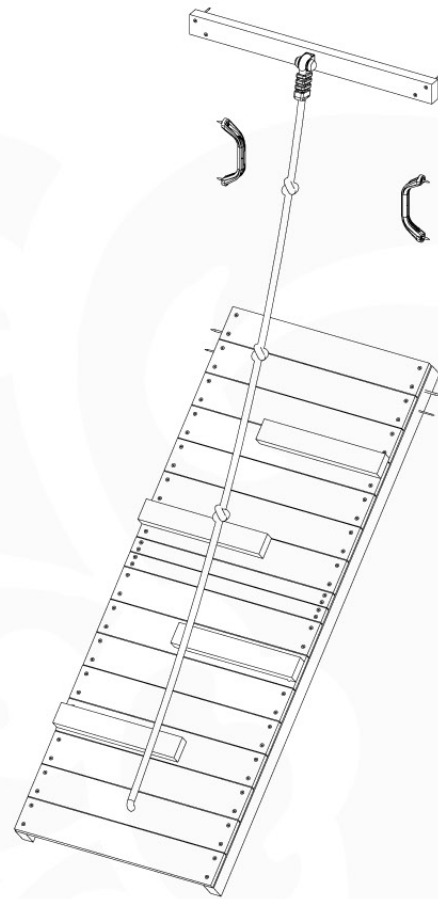


# 08 Ramp

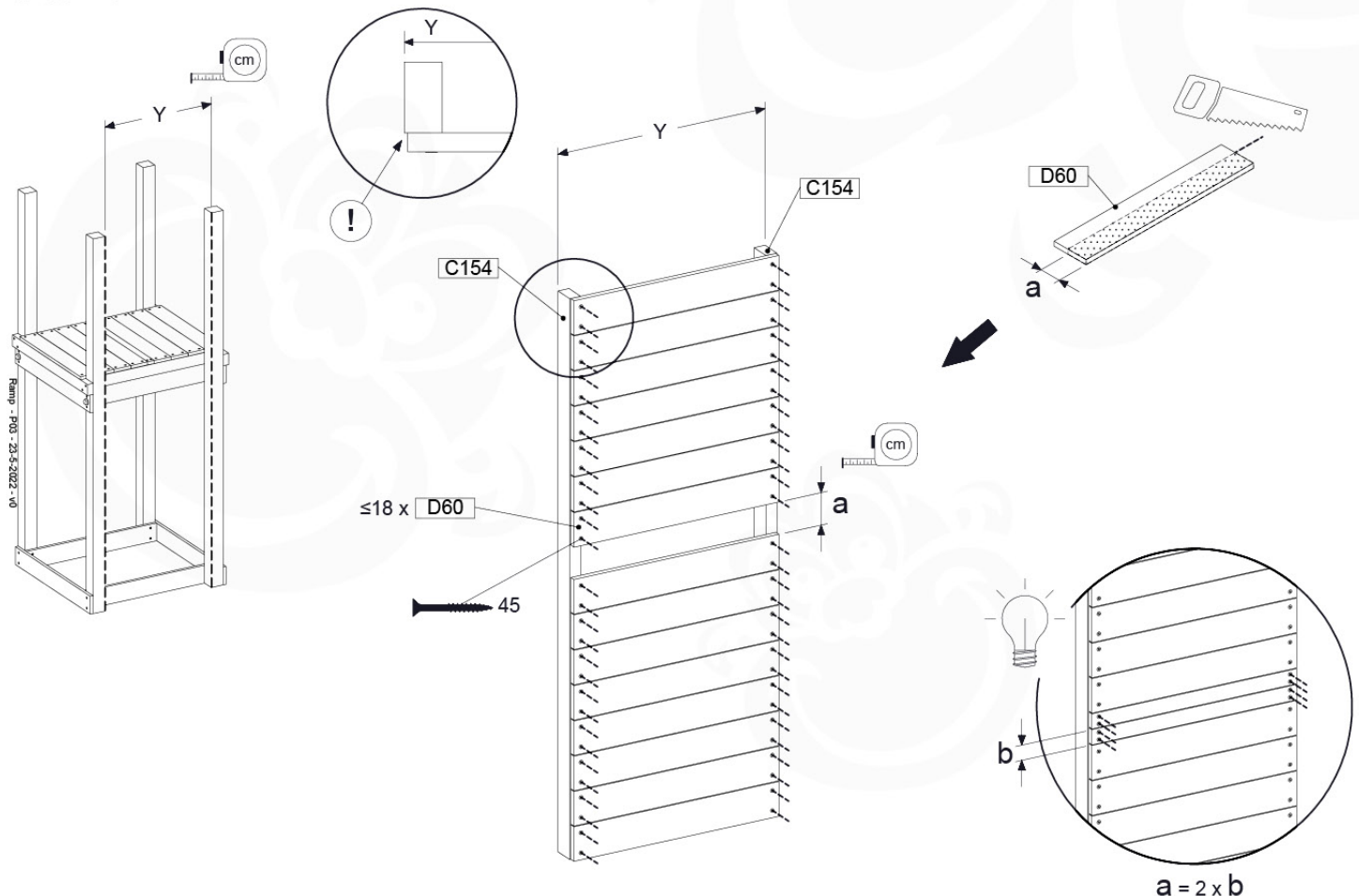
RA01

	PartNo	PartName	QTY.
Hardware Pack	001_102	Washer Head Screw T40 M8x30	1
	001_103	Washer Head Screw T40 M8x40	2
	001_404	Stealth Screw 8x30	2
	001_417	Stealth Screw 8x80	2
	002_041	Dome head screw 4.5 x 20 mm	2
	002_220	Gap Point Screw T25 - 5x45	84
	002_223	Gap Point Screw T25 - 5x80	6
	003_010	M8 spring lock washer	1
	003_040	M8 Washer	1
	004_010	M8 Locking Nut	1
	004_052	M8 Drive-in Nut 30mm	1
Other	005_53x	Climb Rope Bracket	1
	005_514	Ladder Bracket	1
	022_31x	bpc-base version 3	2
	022_84x	bpc cover	2
	120_102	Handgrip set (2x Complete)	1
	121_215	Climbing Rope 3,5m - plastic end	1
Timber	C37	Beam 370 mm	4
	C74	Beam 740 mm	1
	C154	Beam 1540 mm	2
	D60	Board 600 mm	18

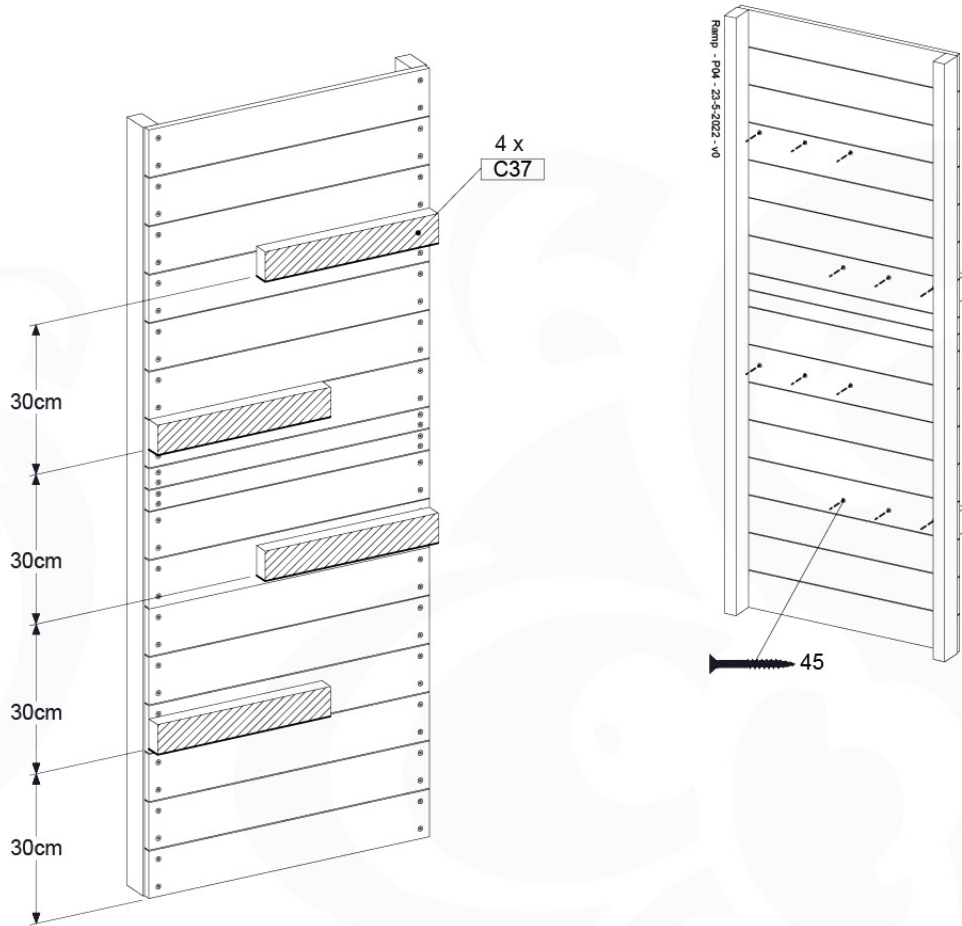
Ramp - P02 - 23-5-2022 - v0



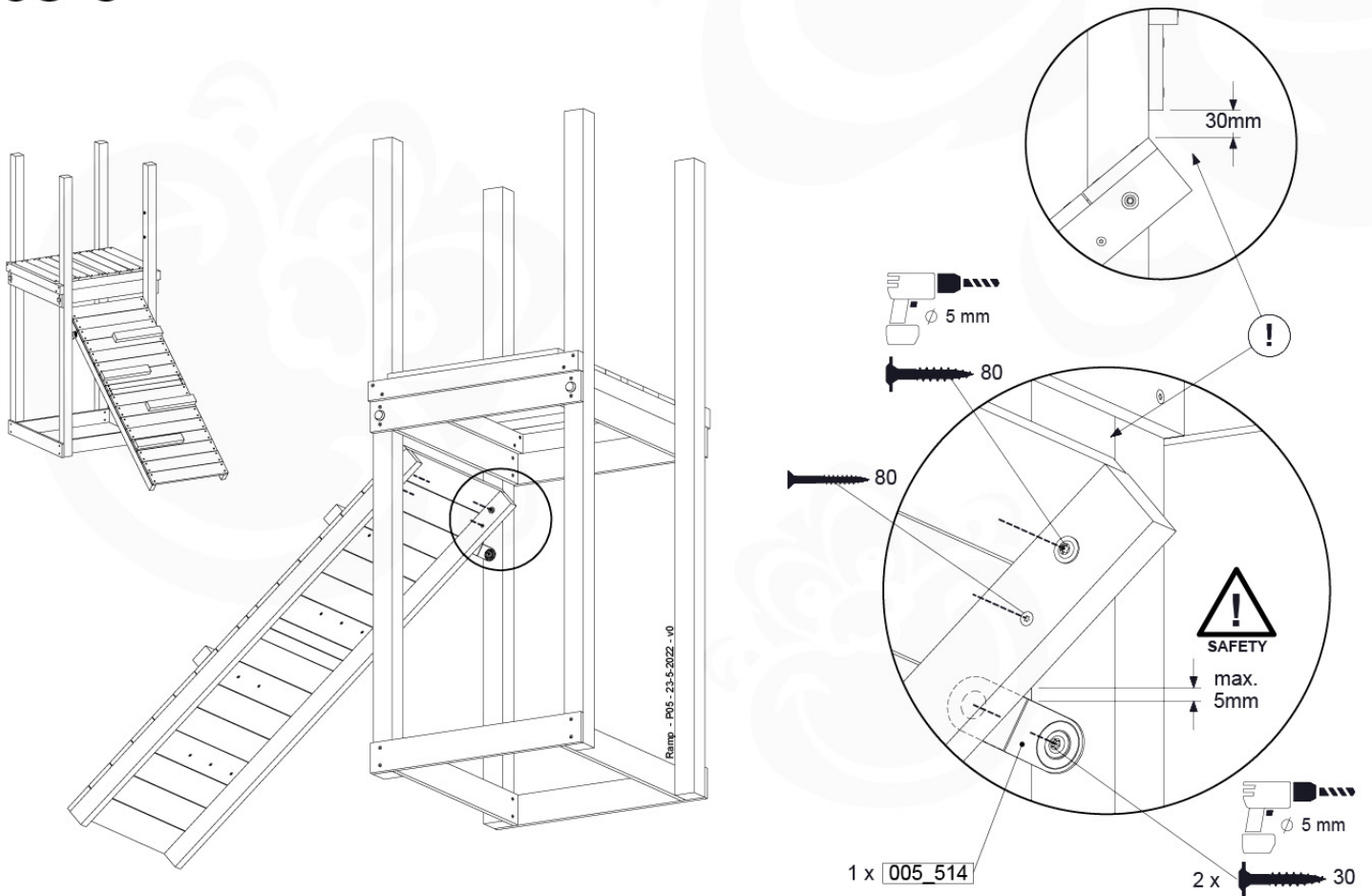
## 08-1



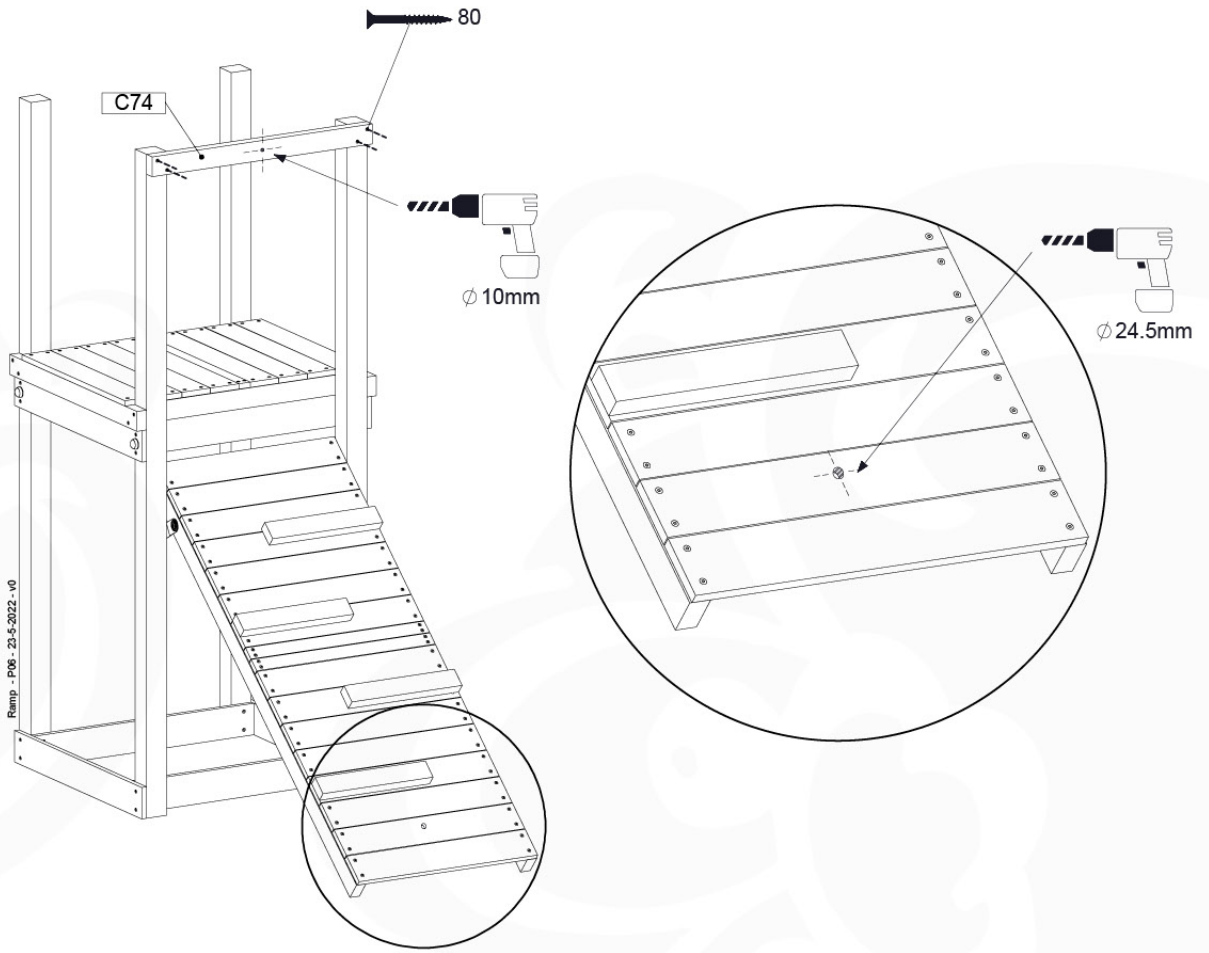
# 08-2



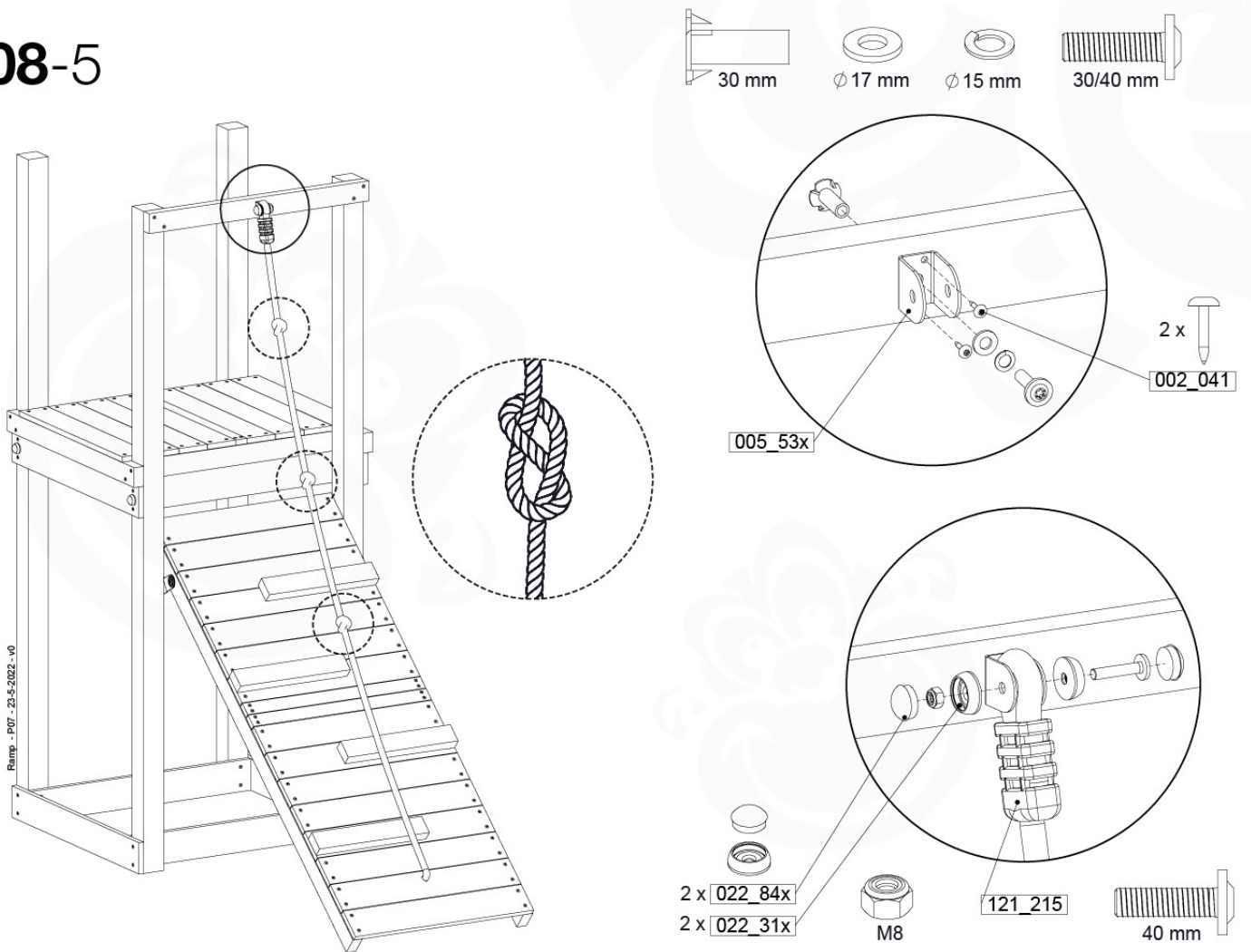
# 08-3



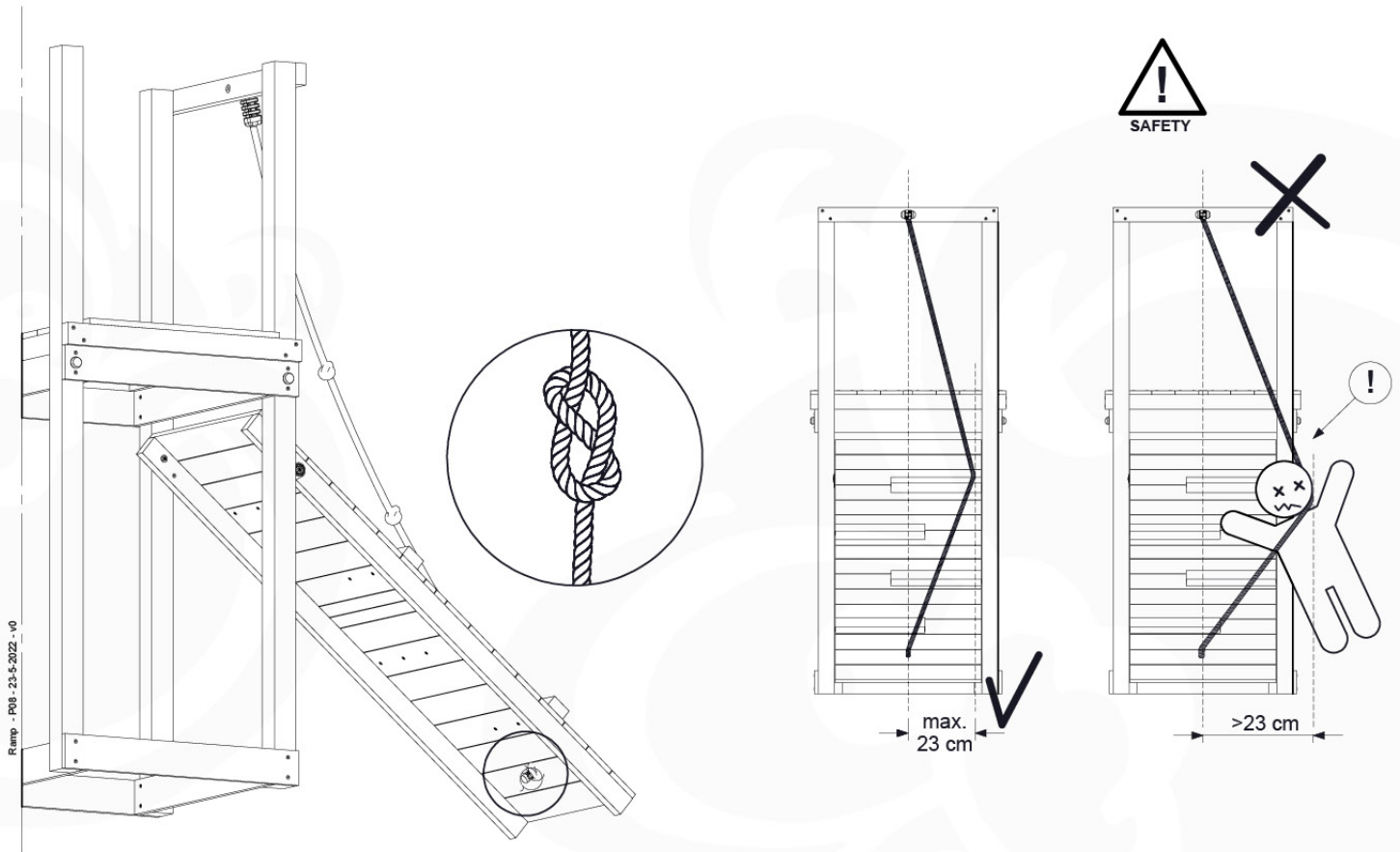
# 08-4



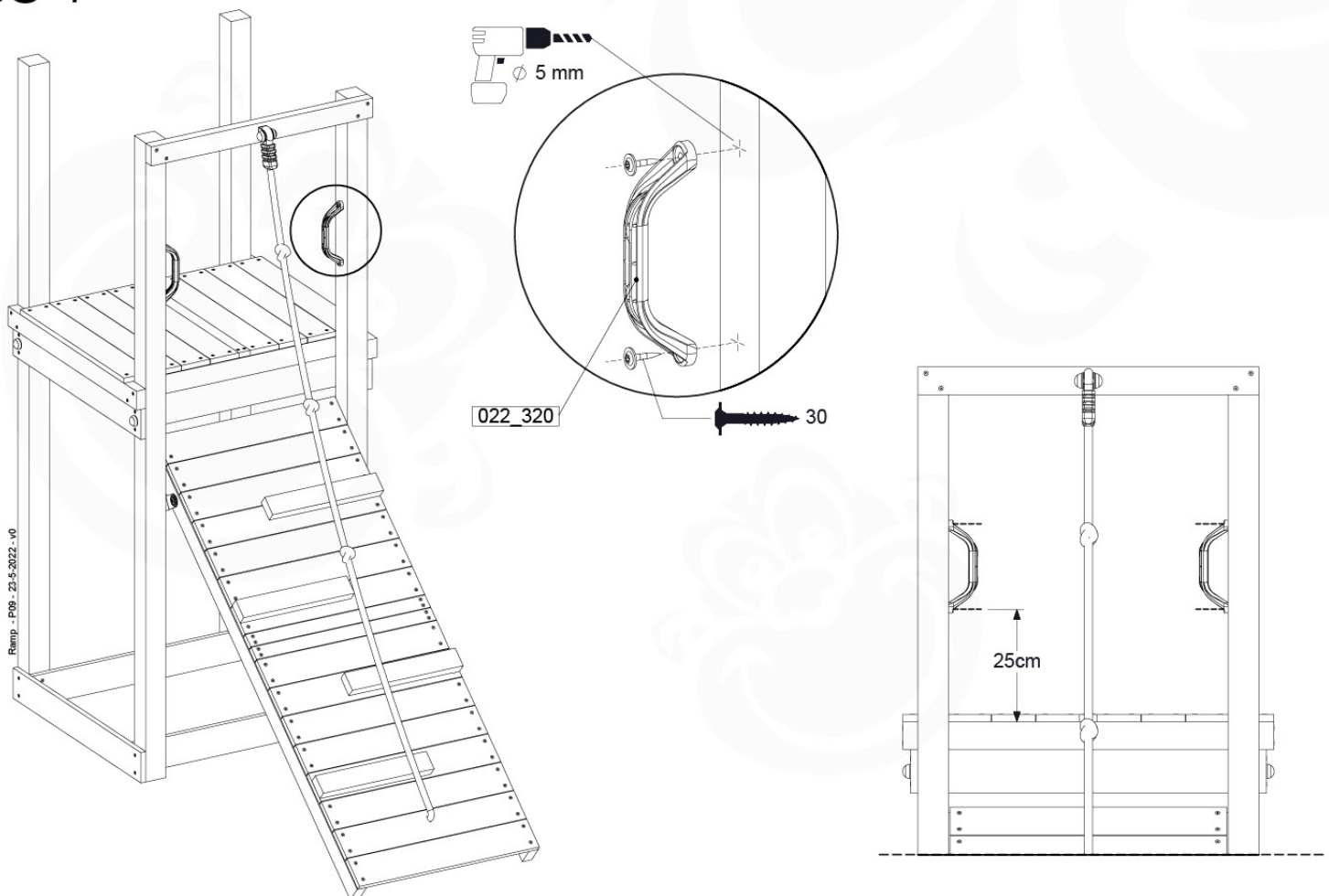
# 08-5



# 08-6



# 08-7



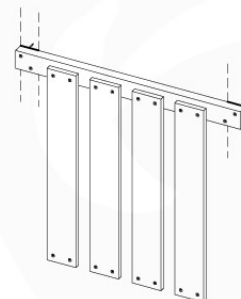
# 09 Balustrade

BL02

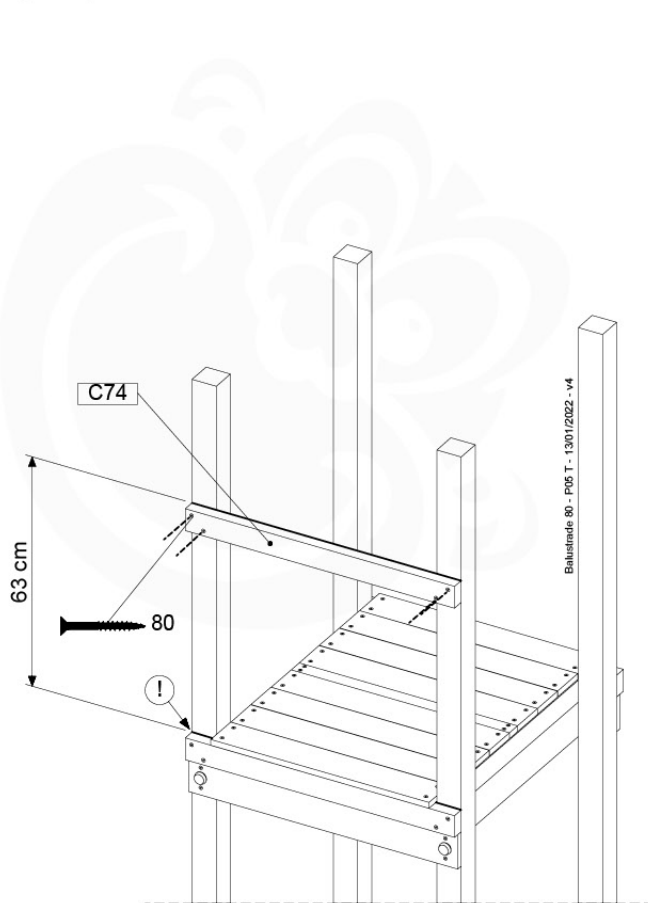
( 194\_101 )

	PartNo	PartName	QTY.
Hardware Pack 100_601	002_220	Gap Point Screw T25 - 5x45	16
	002_223	Gap Point Screw T25 - 5x80	4
Timber	C74	Beam 740 mm	1
	D65	Board 650 mm	4

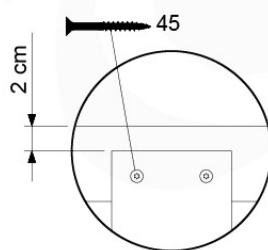
Balustrade 80 - P03 T - 1301/2022 - v4



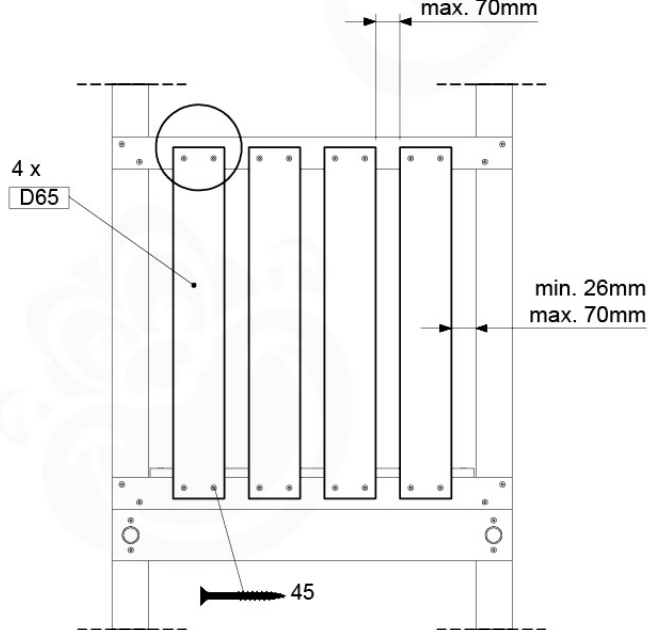
## 09-1



Balustrade 80 - P06 T - 1301/2022 - v4



**SAFETY**  
min. 26mm  
max. 70mm



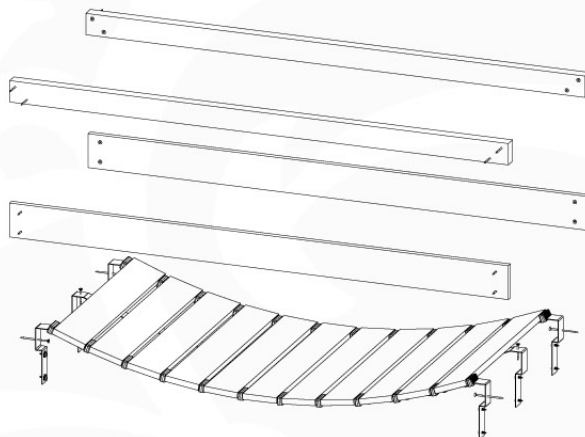
# 10 Clatter Bridge

CB01 / CB02

( 194\_116 )

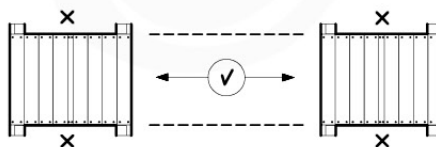
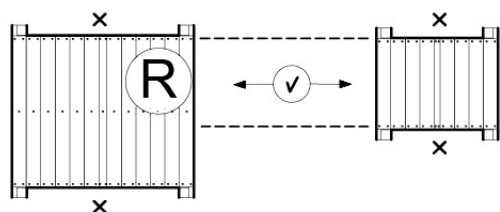
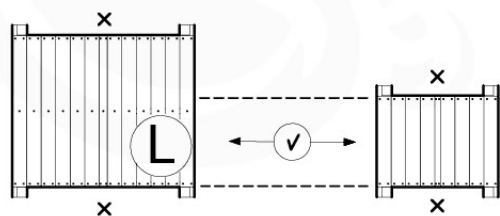
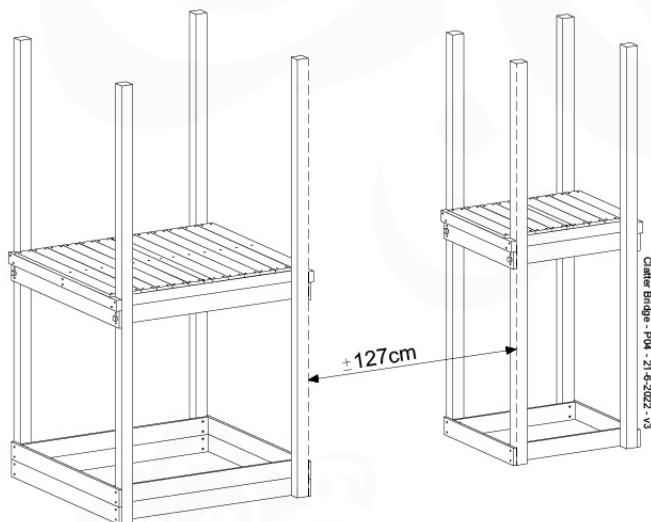
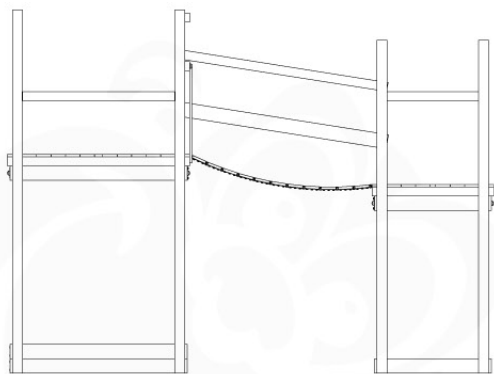
	PartNo	PartName	QTY.
Hardware Pack 100_614	002_036	16mm Pan Head Tapping Screw T25	72
	002_220	Gap Point Screw T25 - 5x45	10
	002_223	Gap Point Screw T25 - 5x80	12
	003_034	M6 Washer	72
Other	022_911	Bridge Spacer	26
	121_114	BridgeLink Strap 210cm	3
Wood	C141	Beam 1410 mm	2
	D60	Board 600 mm	12
	D141	Board 1410 mm	2

Clatter Bridge - PO2 - 21-6-2022 - v3



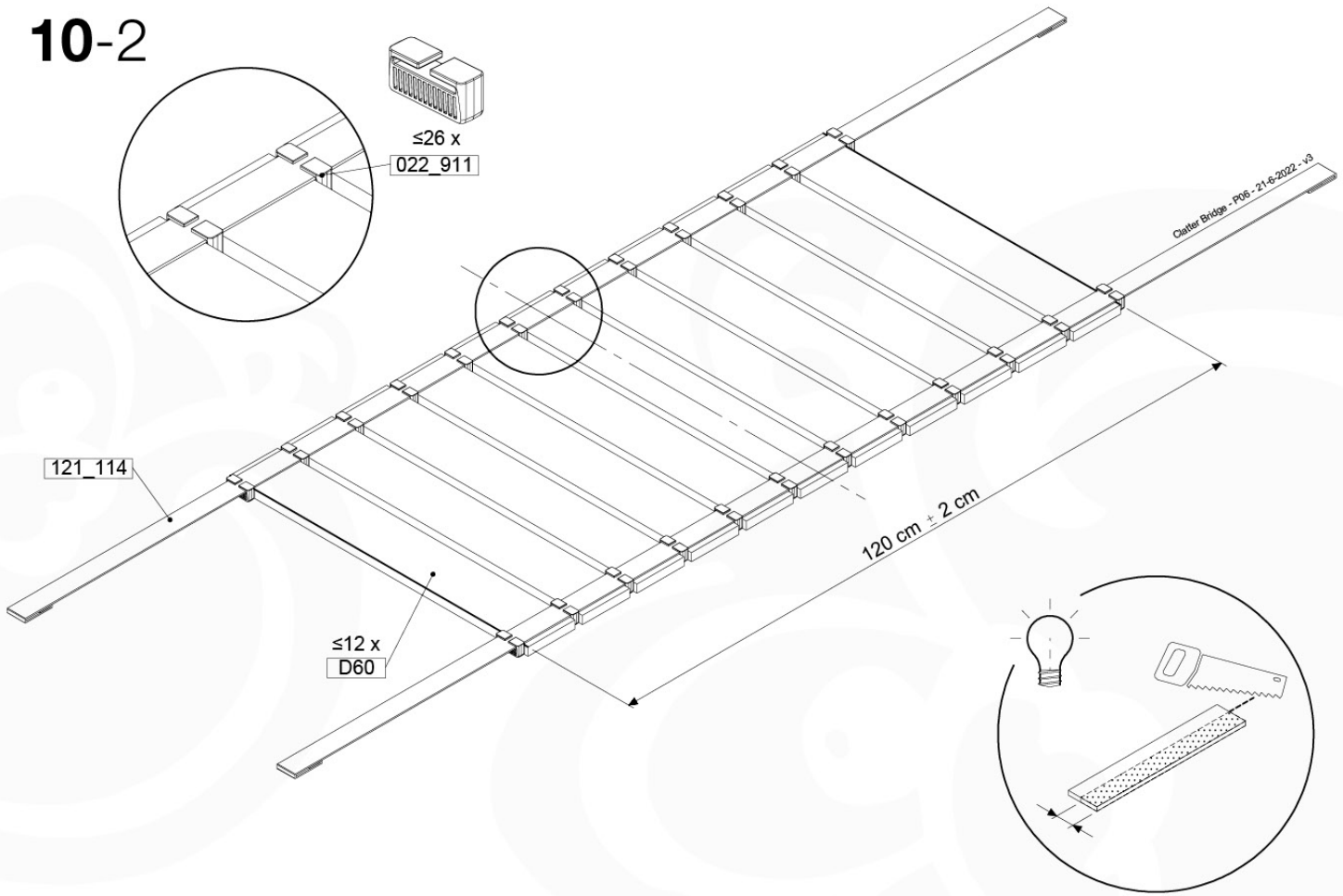
Full Modular Bridge

## 10 - 1

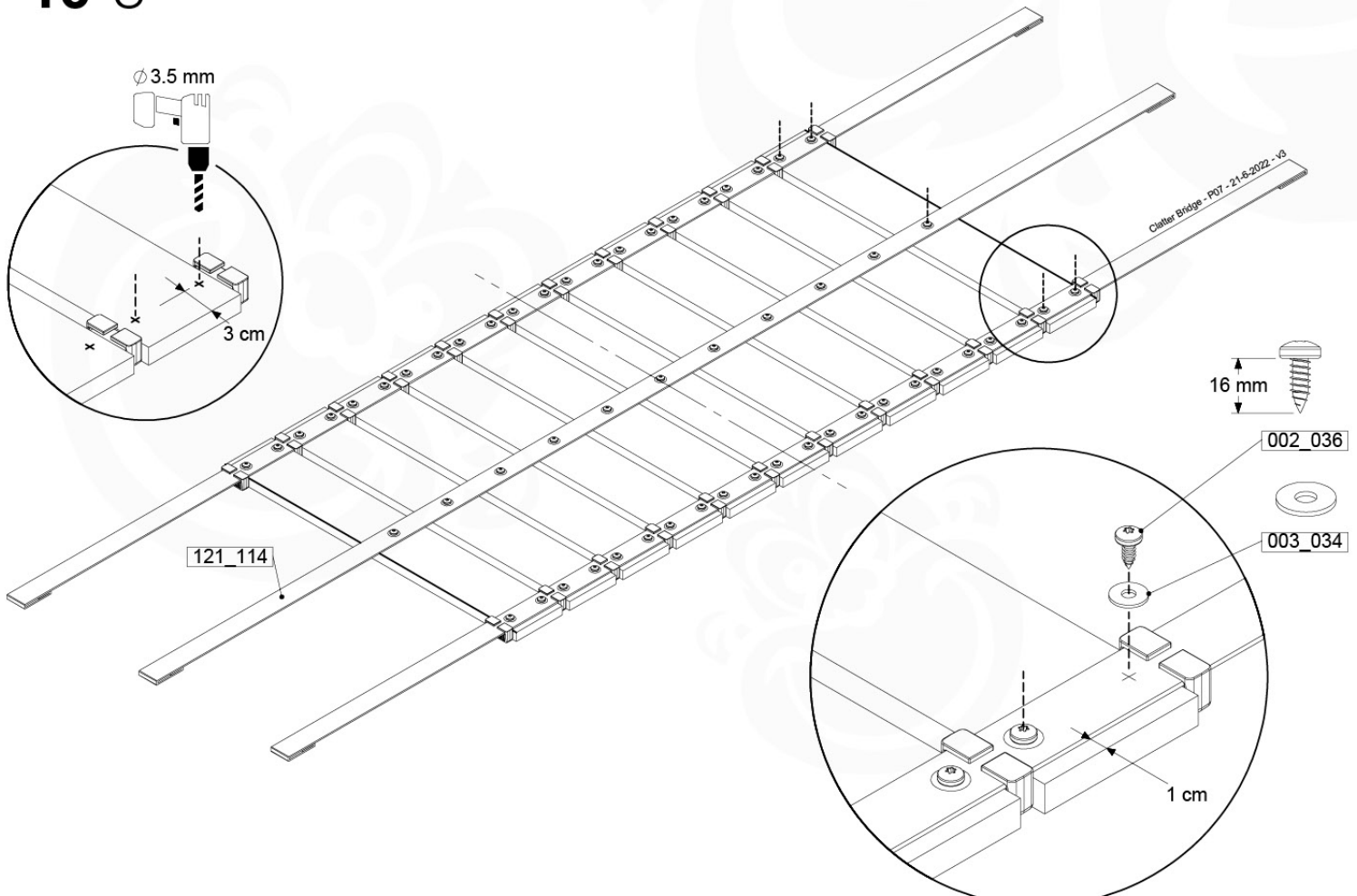




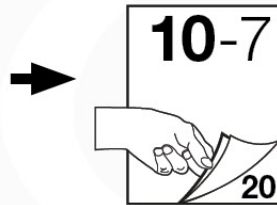
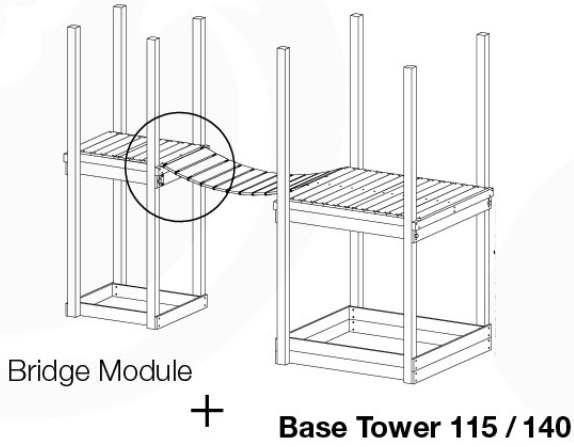
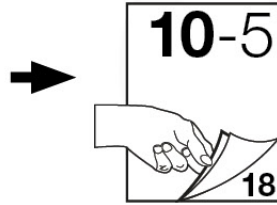
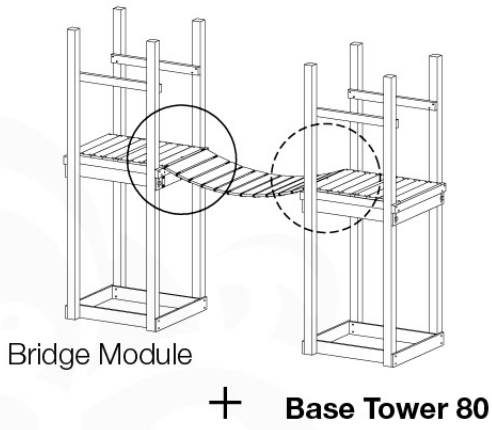
# 10-2



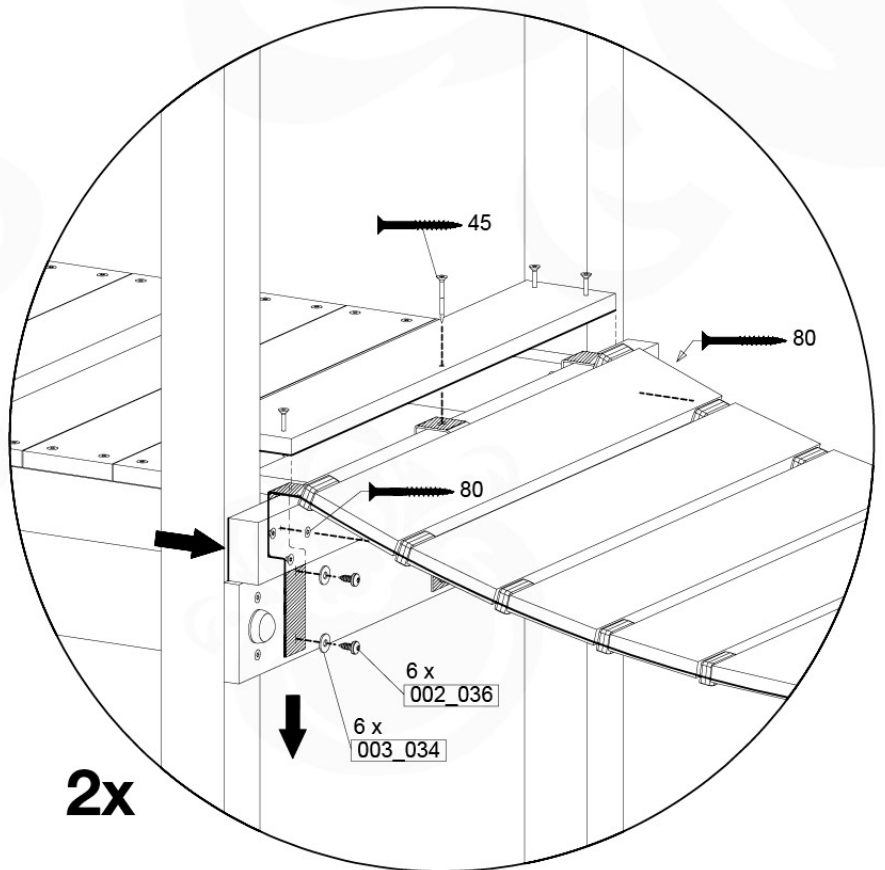
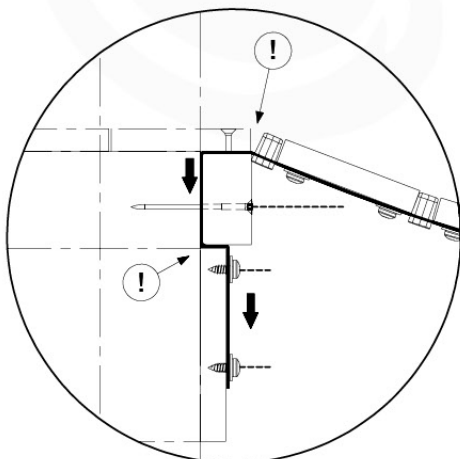
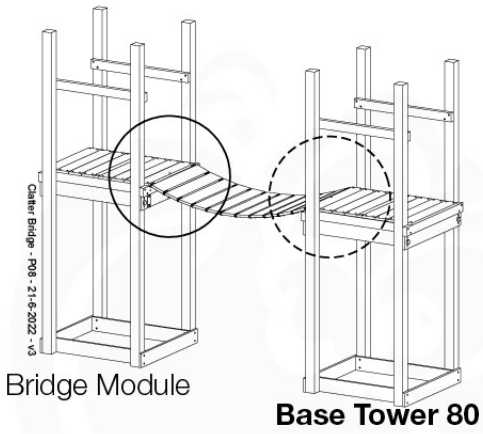
# 10-3



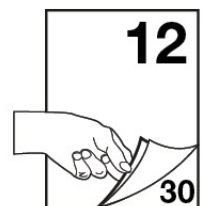
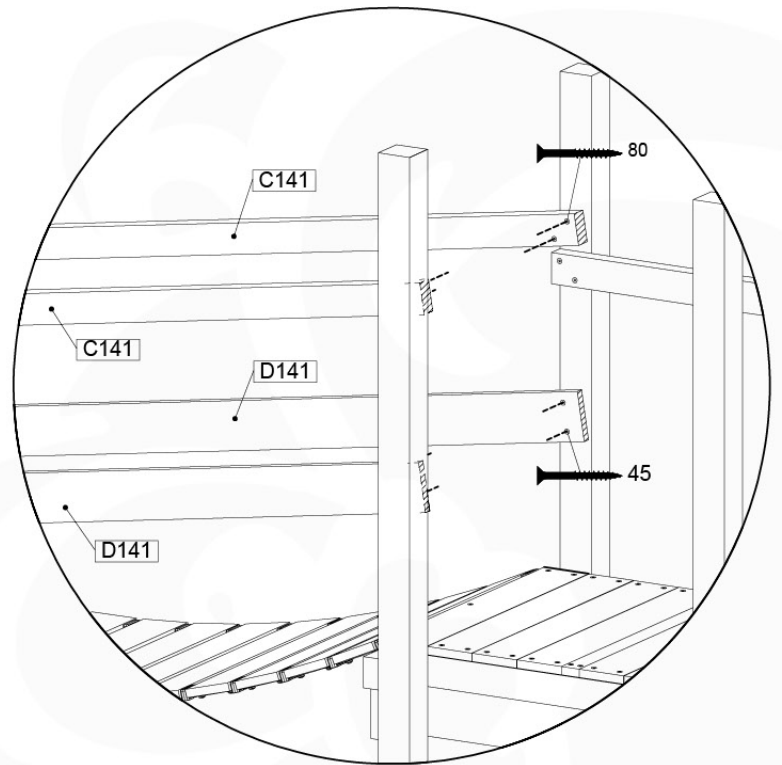
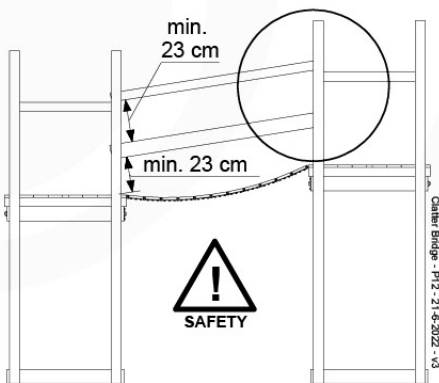
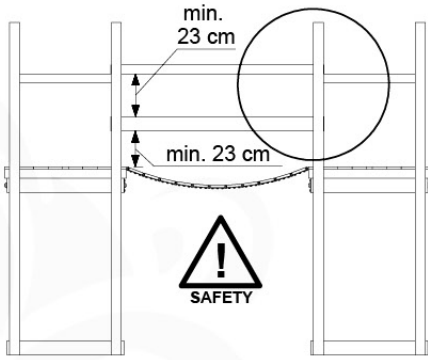
# 10-4



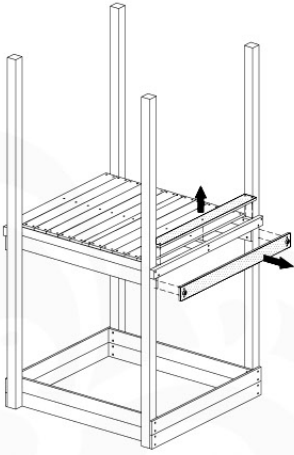
# 10-5 (CB01)



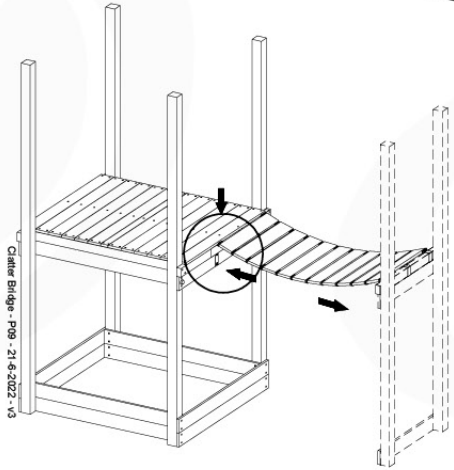
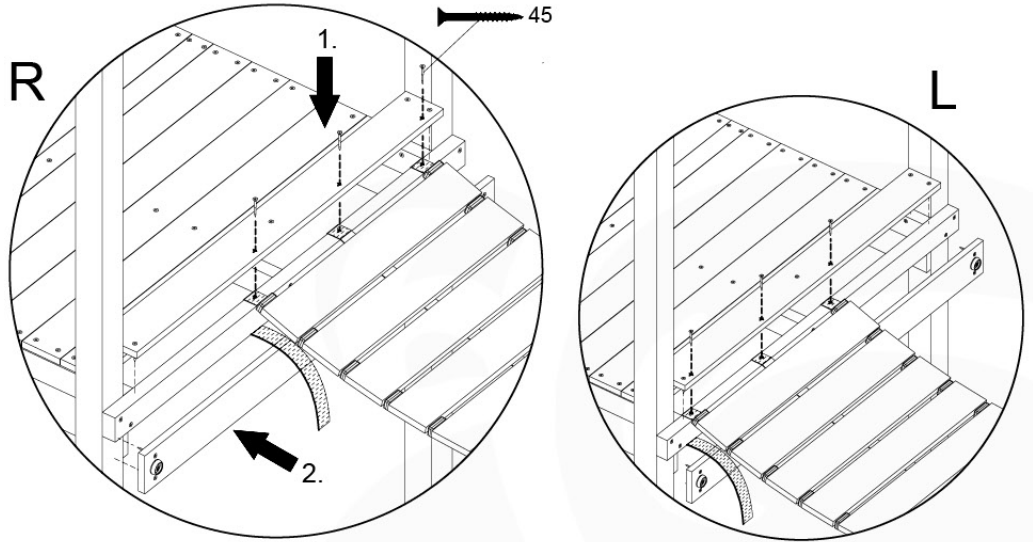
# 10-6



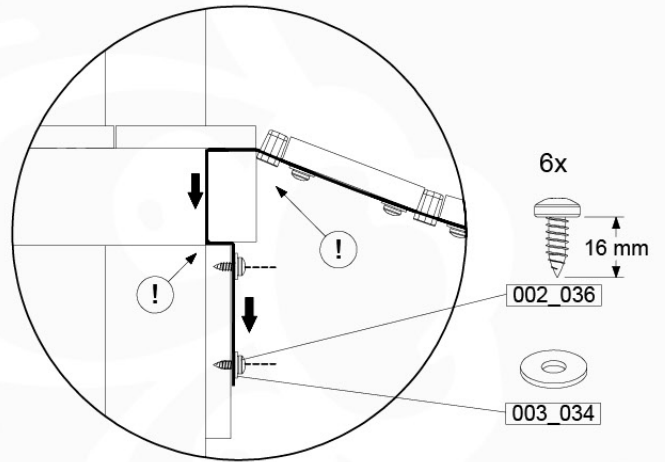
# 10-7 (CB02)



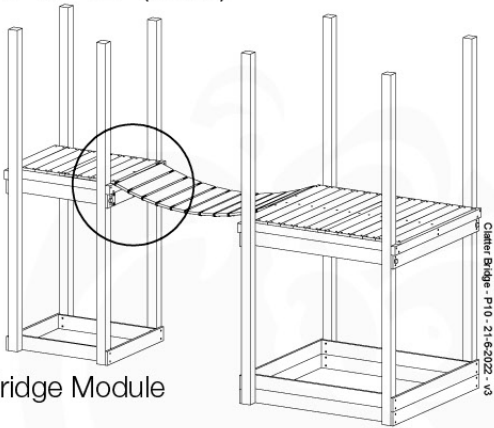
Base Tower 115 / 140



Clutter Bridge - P09 - 21-6-2022 - V3

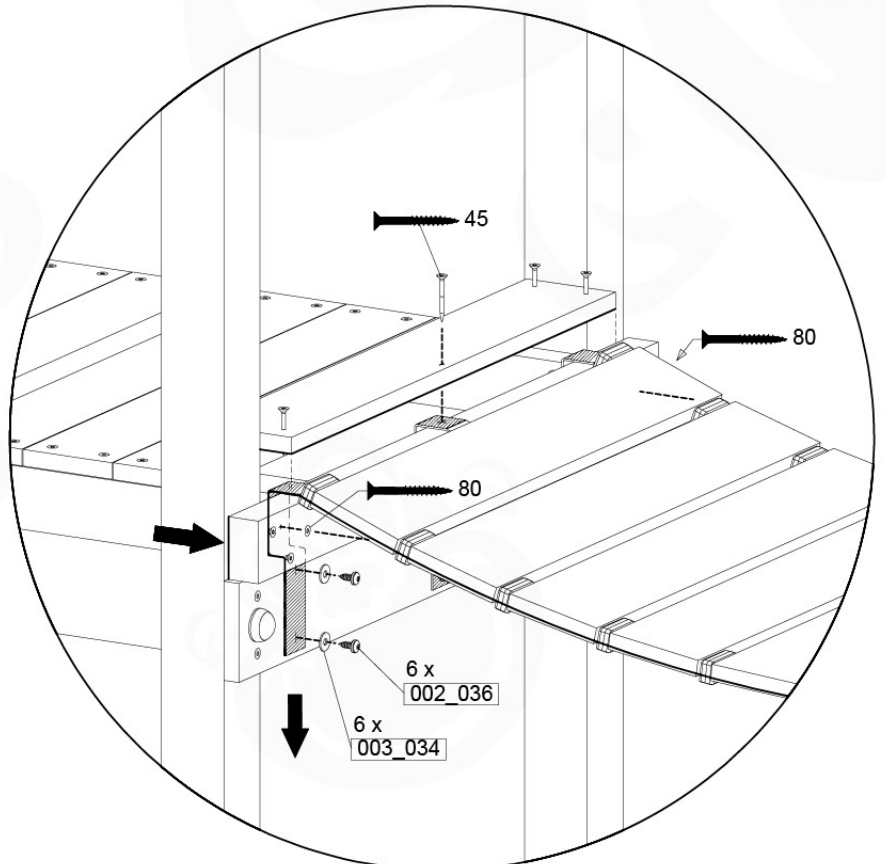
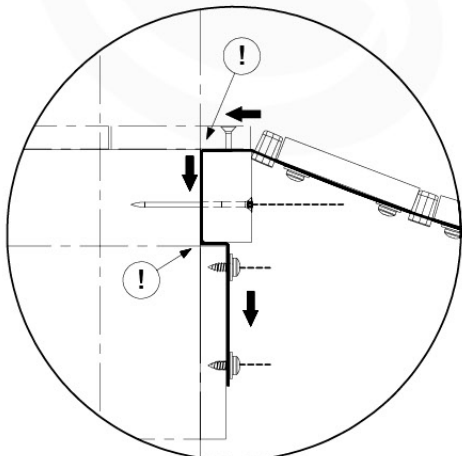


# 10-8 (CB02)



Bridge Module

Clutter Bridge - P10 - 21-6-2022 - V3

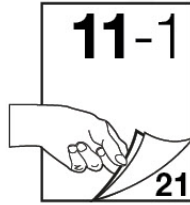
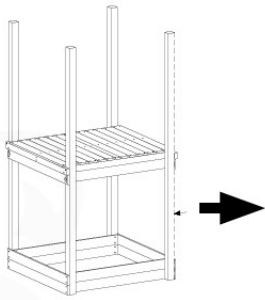


# 11 Bridge Frame

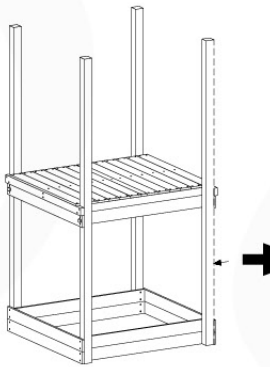
BF03/04

BF23/24

**Base Tower 115**  
( BT07 - BT15 )

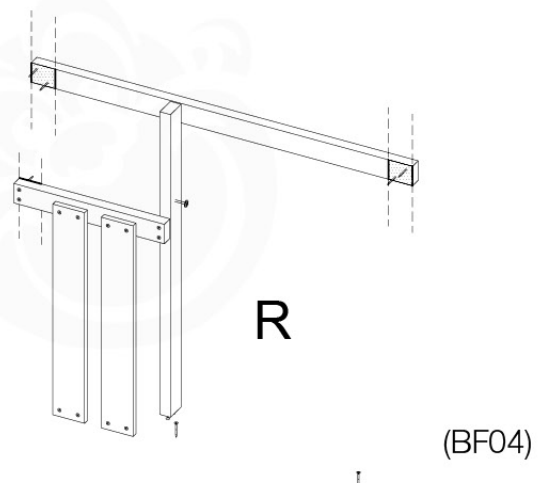
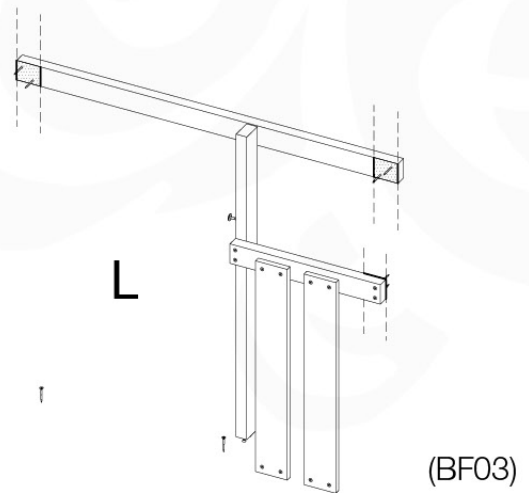


**Base Tower 140**  
( BT19 - BT20 )



## 11-1 Bridge Frame 115

BF03 / BF04



( 194\_007 )

	PartNo	PartName	QTY.
Hardware Pack	001_411	Stealth Screw 8x60	1
	002_220	Gap Point Screw T25 - 5x45	10
	002_223	Gap Point Screw T25 - 5x80	12
Timber	C74	Beam 740 mm	1
	C114	Beam 1140 mm	1
	C141	Beam 1410 mm	1
	D65	Board 650 mm	2

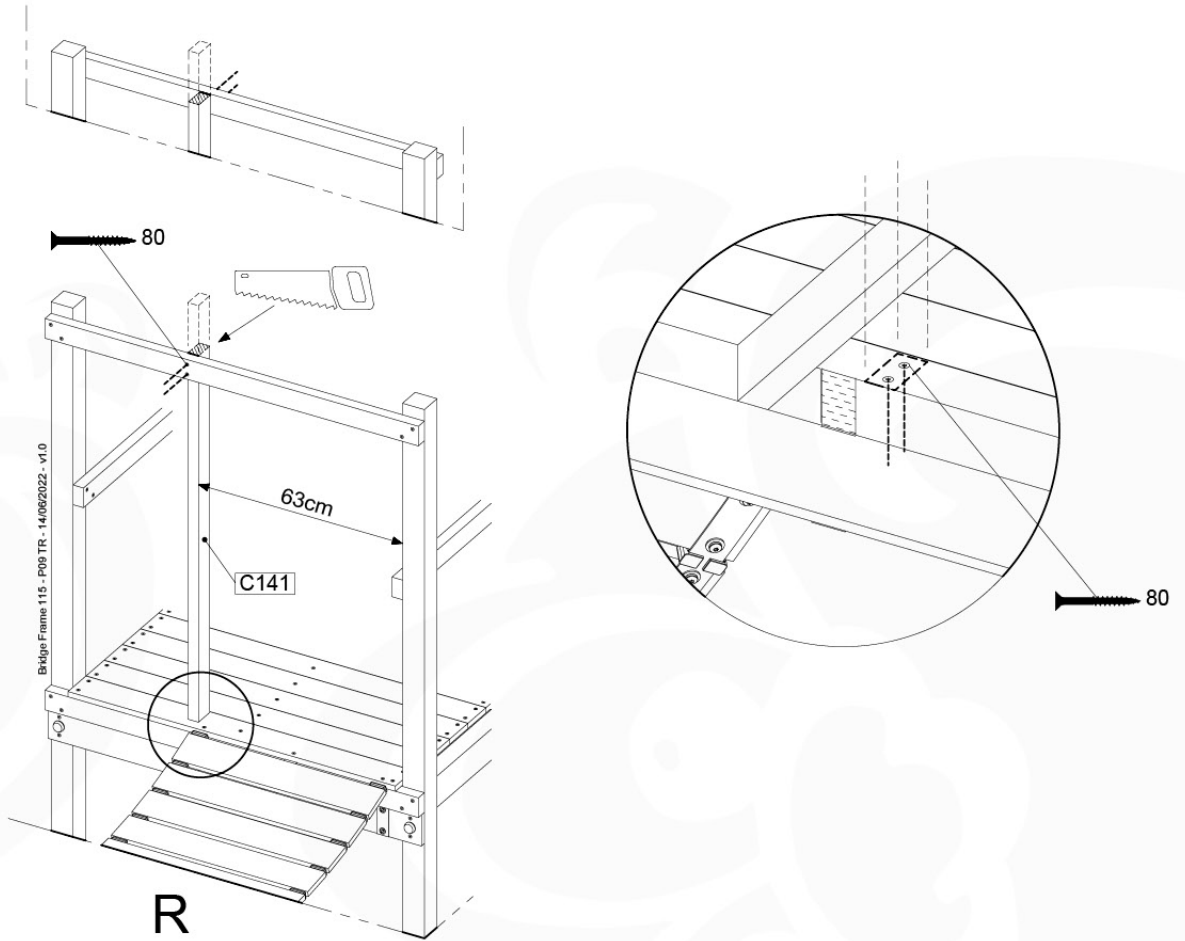
Bridge Frame 115 - P04 TL - 1406/2022 - v1.0



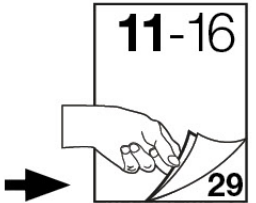
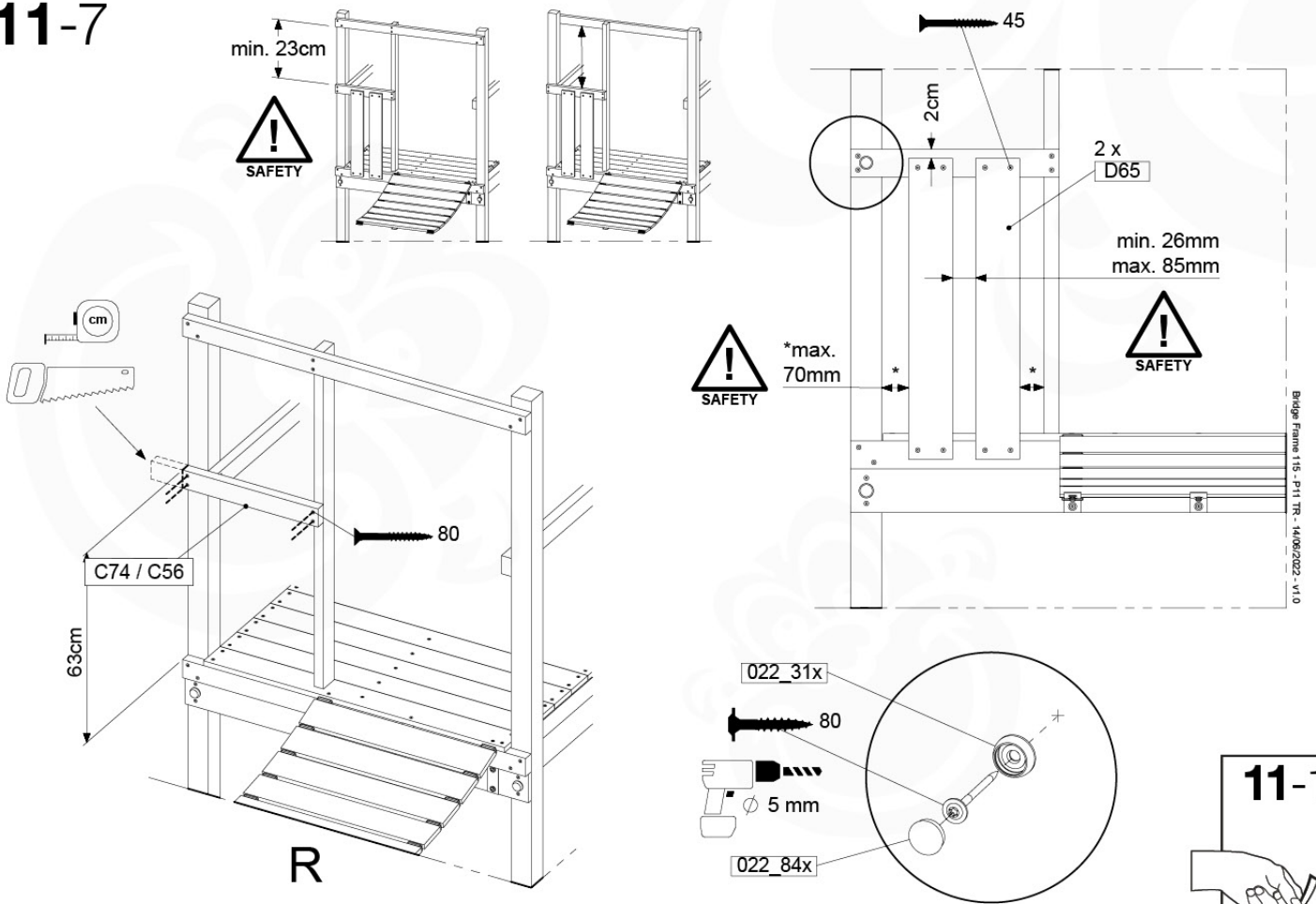


# 11-6

BF04



# 11-7





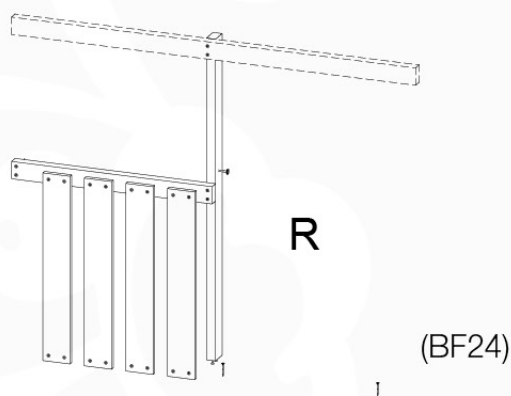
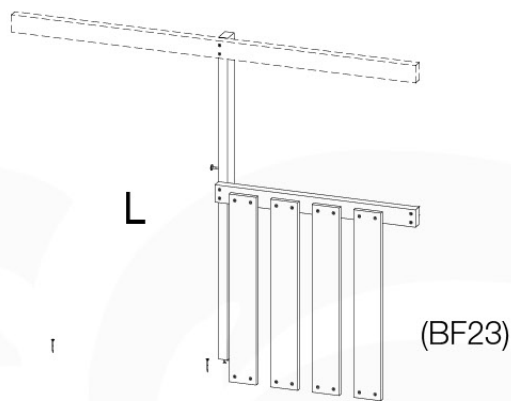
# 11-8 Bridge Frame 140

BF23 / BF24

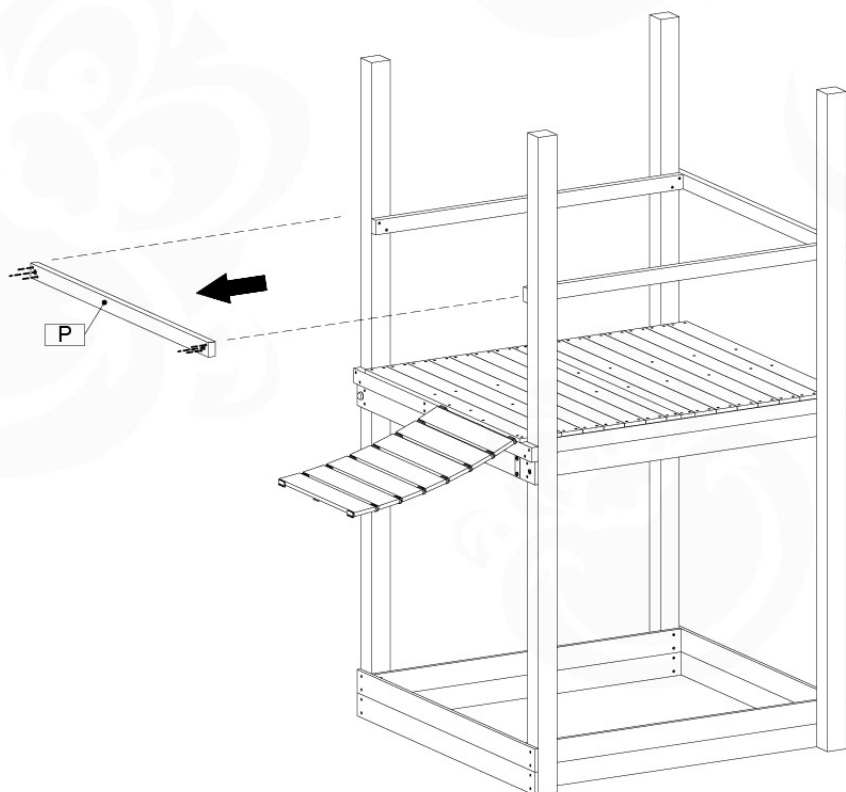
( 194\_007 )

	PartNo	PartName	QTY.
Hardware Pack 100_905	001_411	Stealth Screw 8x60	1
	002_220	Gap Point Screw T25 - 5x45	18
	002_223	Gap Point Screw T25 - 5x80	8
Timber	C74	Beam 740 mm	1
	C141	Beam 1410 mm	1
	D65	Board 650 mm	4

DL Bridge Frame 140 - P04 TL - 14/06/2022 - v1

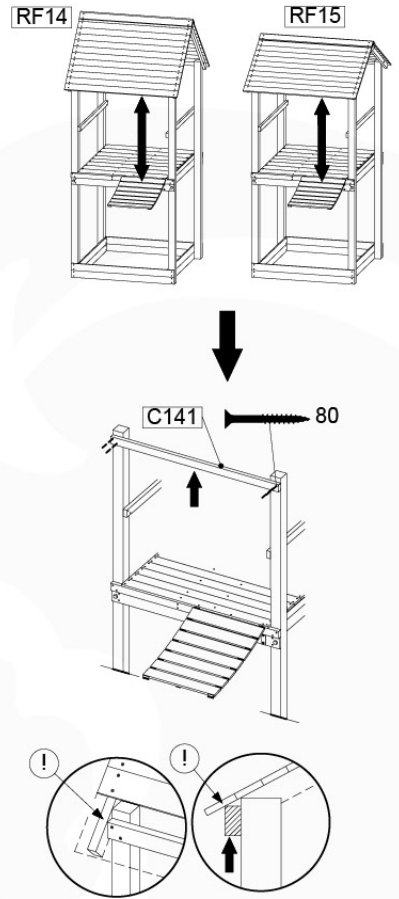
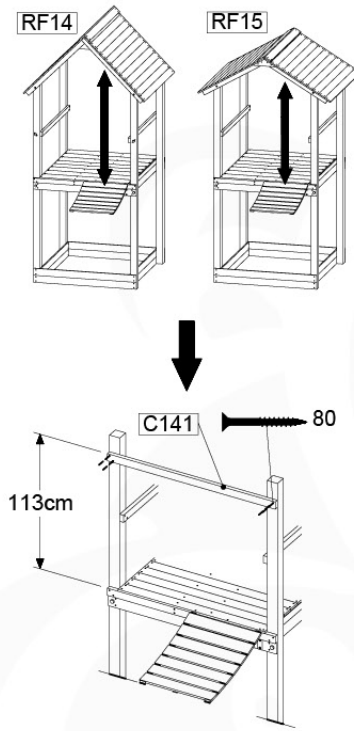
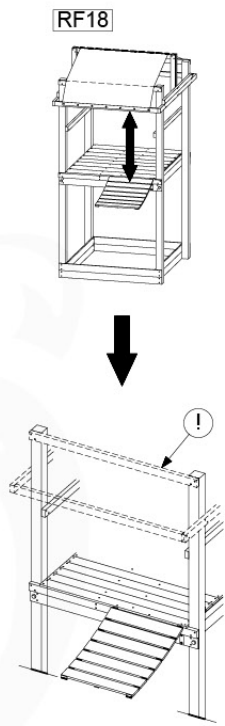
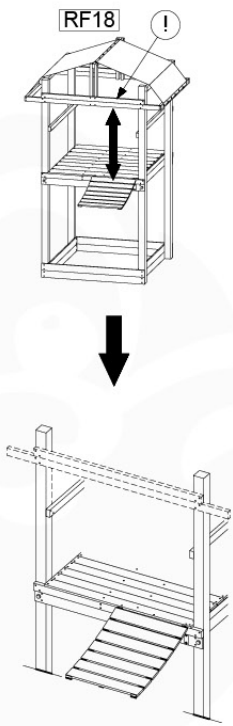


# 11-9



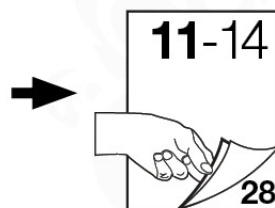
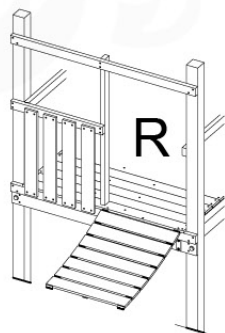
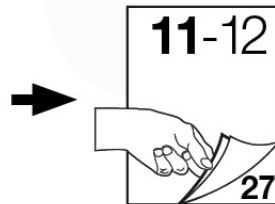
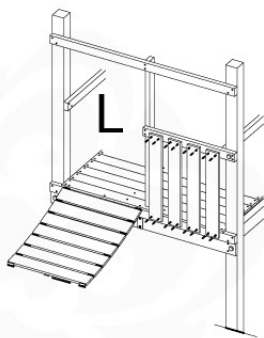
DL Bridge Frame 140 - P06 T - 14/06/2022 - v1

# 11-10



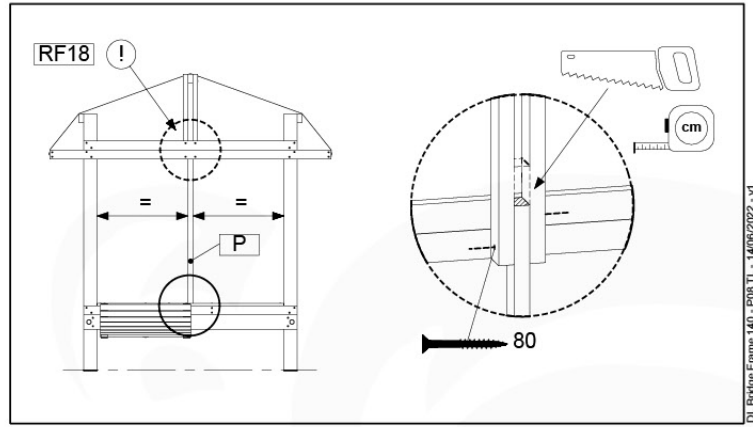
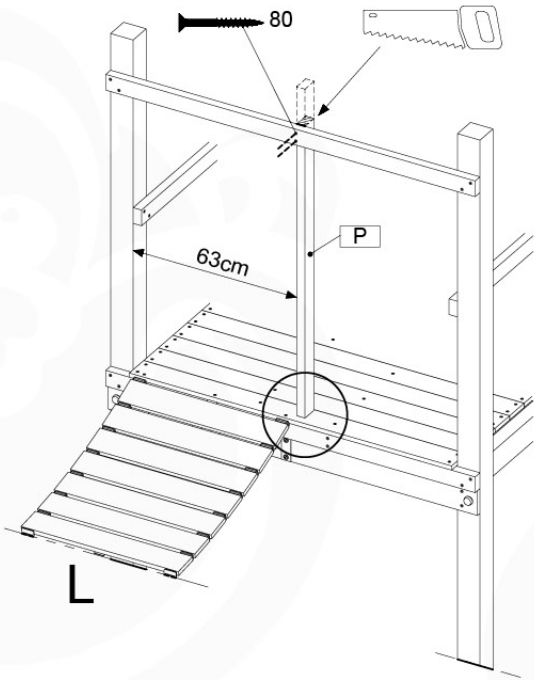
DL Bridge Frame 140 - P07 T - 14/08/2022 - v1

# 11-11

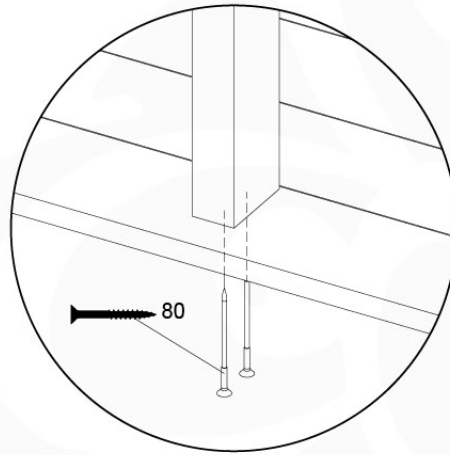


# 11-12

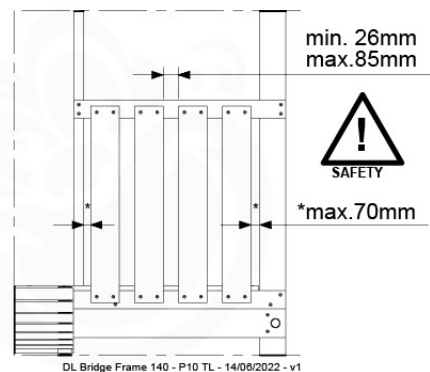
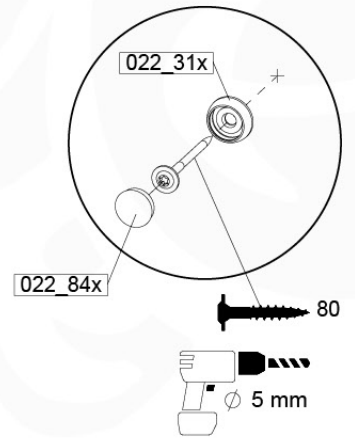
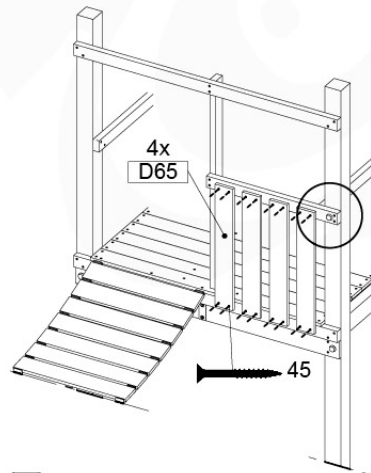
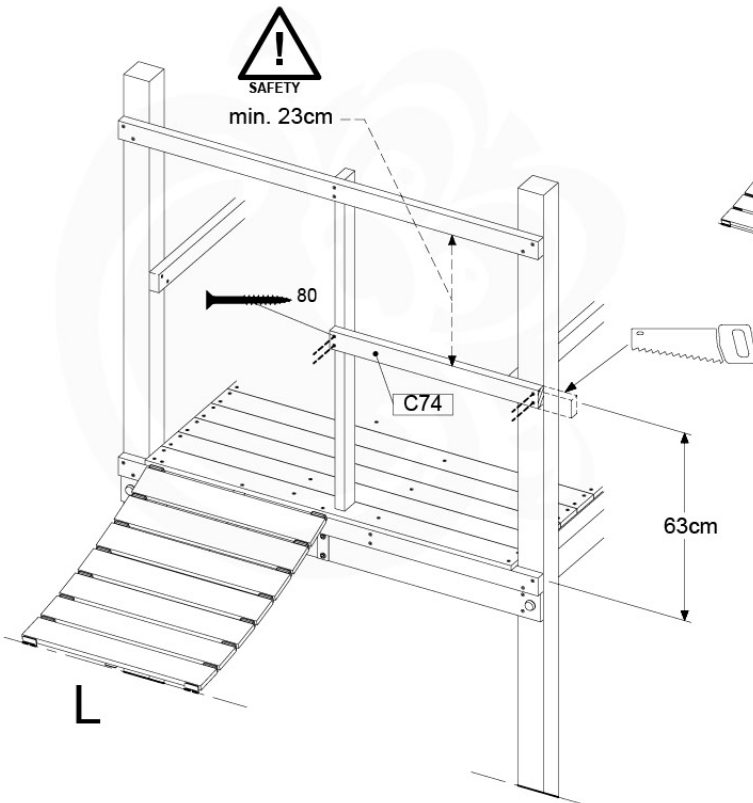
## BF23



DL Bridge Frame 140 - P08 TL - 14/06/2022 - v1



# 11-13



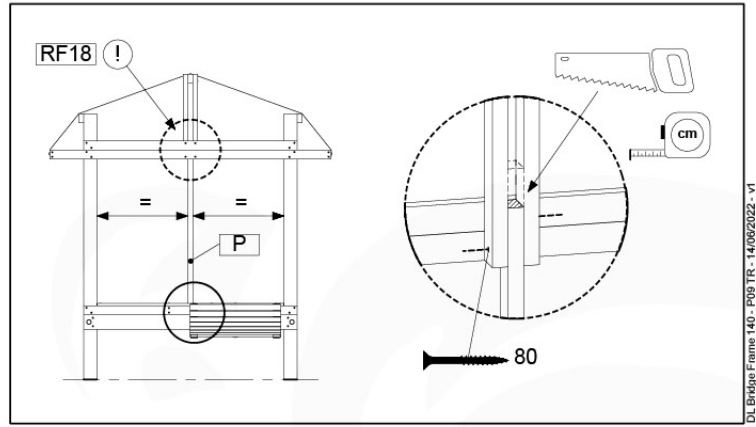
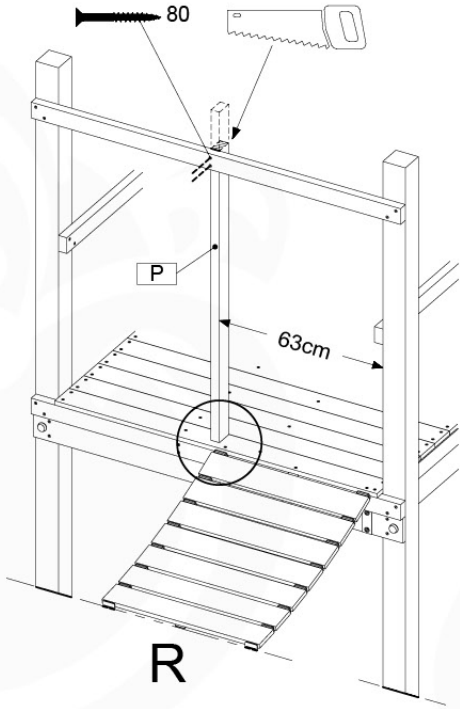
DL Bridge Frame 140 - P10 TL - 14/06/2022 - v1



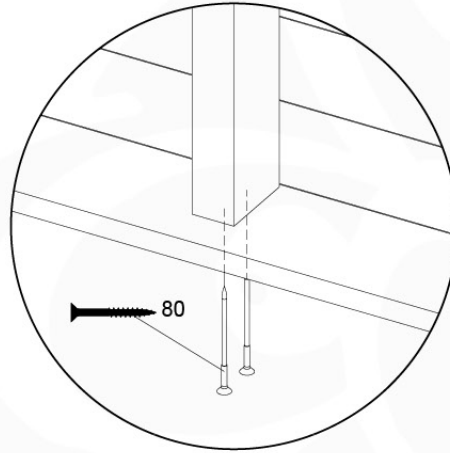
29

# 11-14

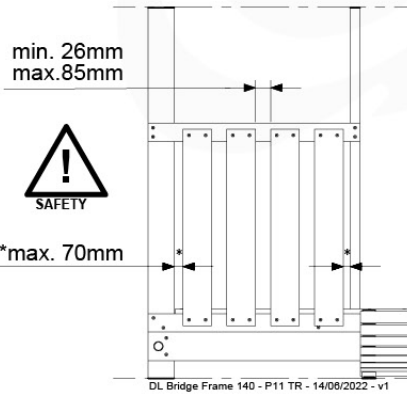
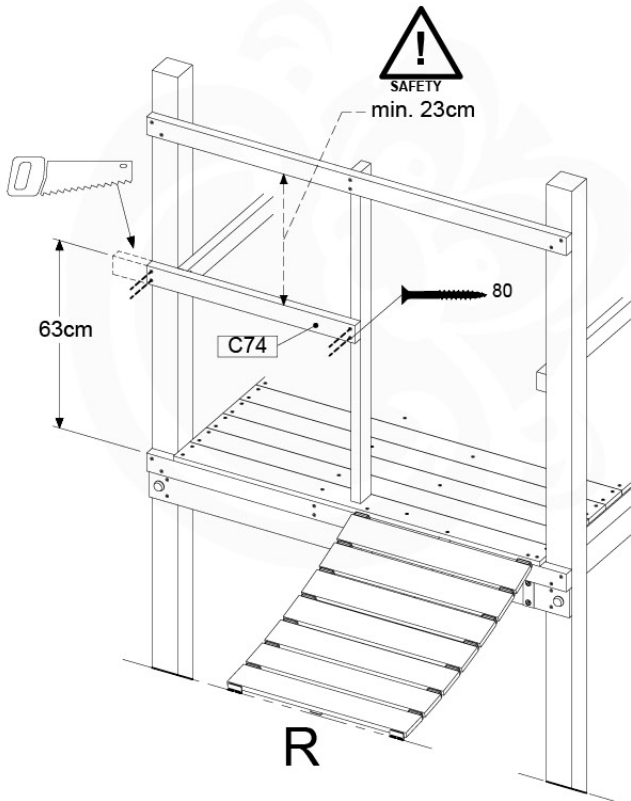
## BF24



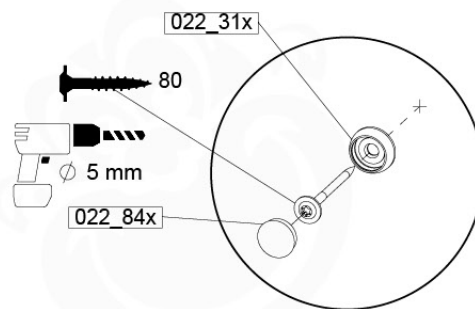
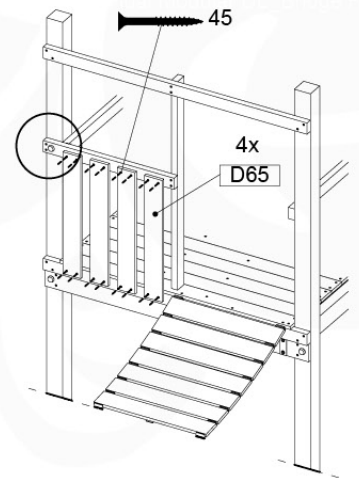
DL Bridge Frame 140 - P09 TR - 14/06/2022 - v1



# 11-15

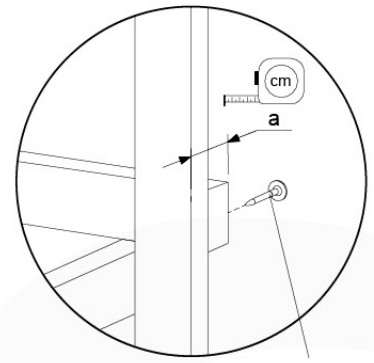
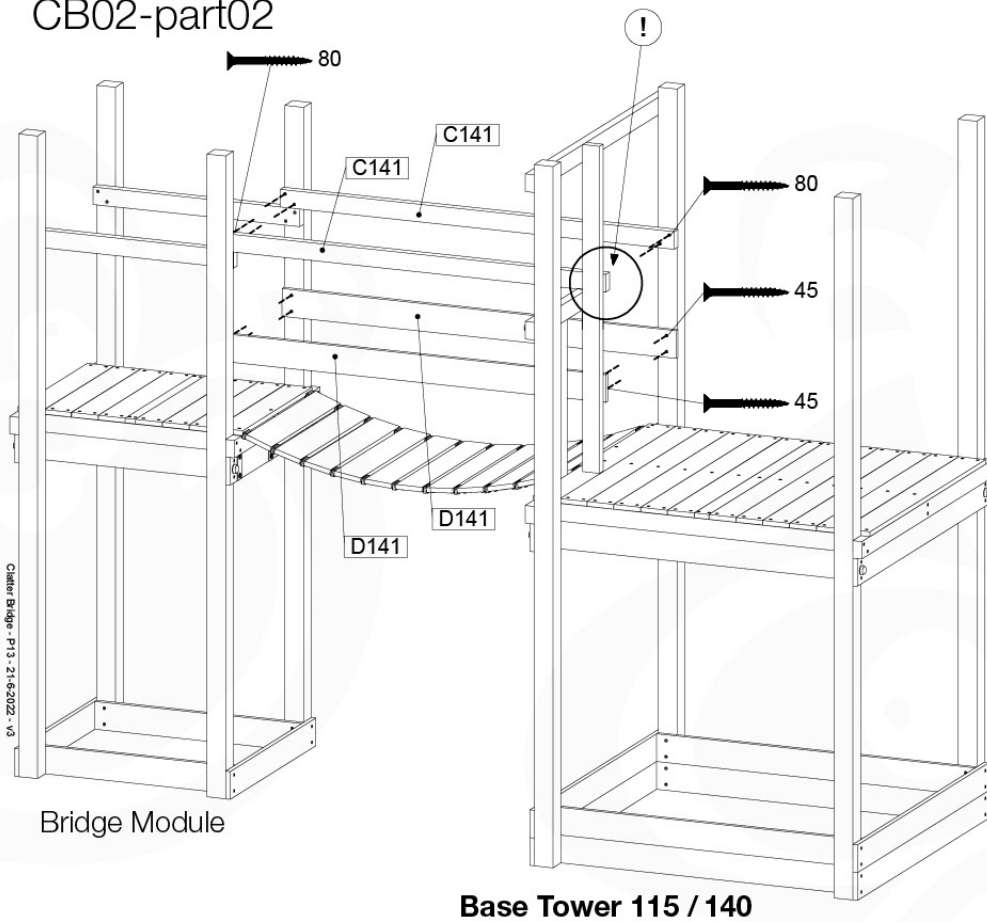


DL Bridge Frame 140 - P11 TR - 14/06/2022 - v1



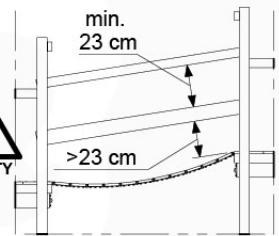
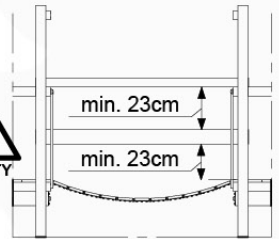
# 11-16 Clatter Bridge railing

CB02-part02



HARDWARE  
PACK BF/BT

- a > 8cm -- 1x 80
- a < 8cm -- 1x 60

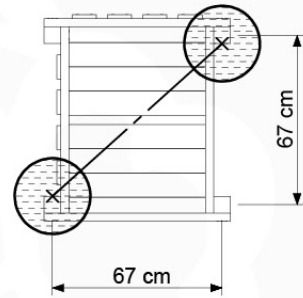
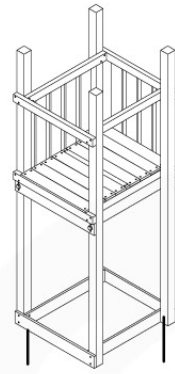
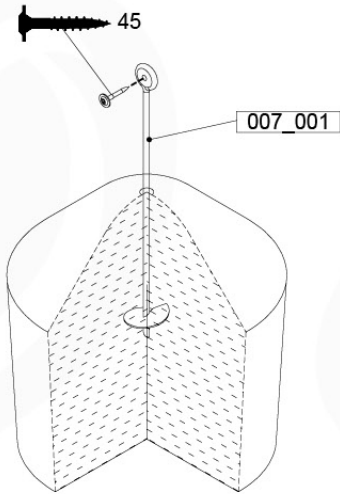


# 12 Ground Anchors

## GA01

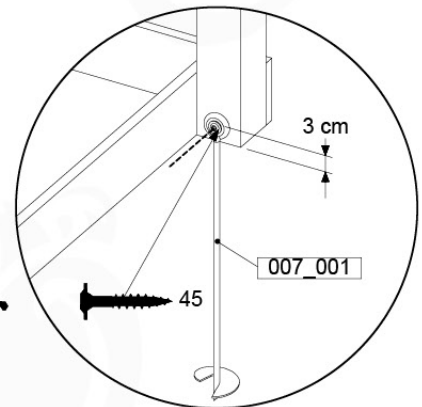
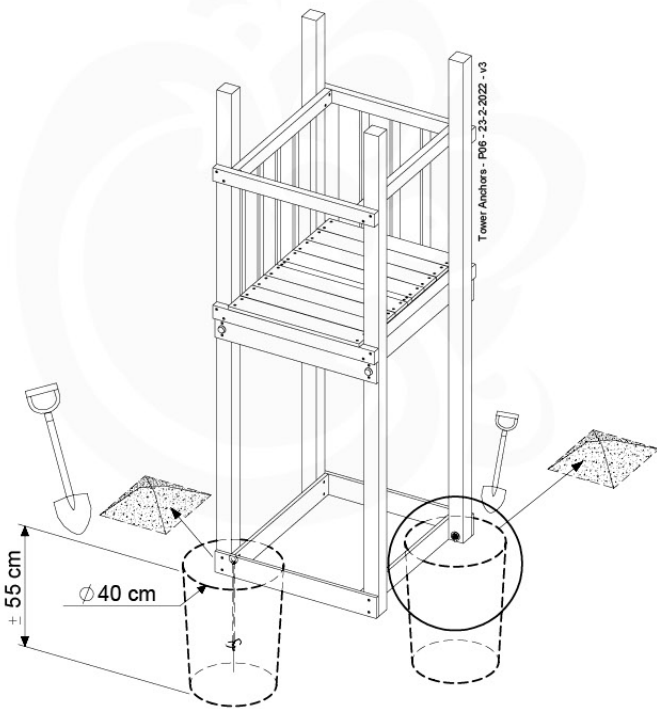
Parts:

Assembly Package Tower  
194\_100



Tower Anchors - P02 - 23-2-2022 - v3

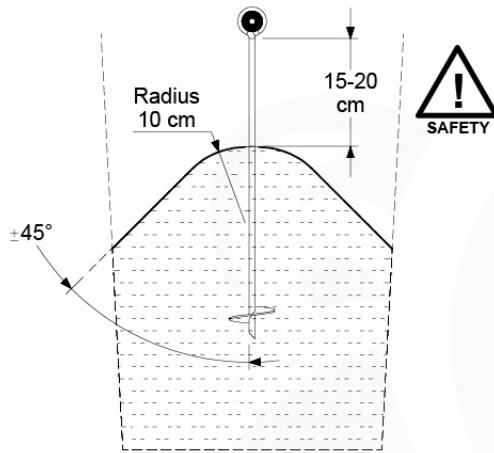
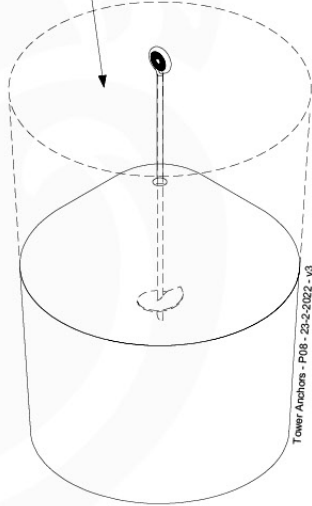
## 12-1



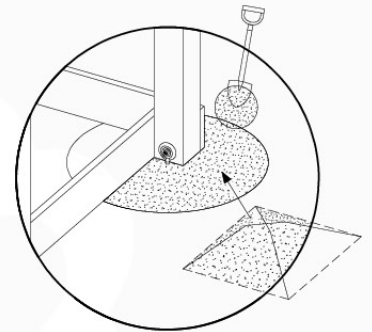
# 12 -2



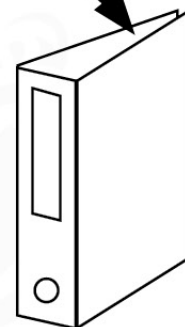
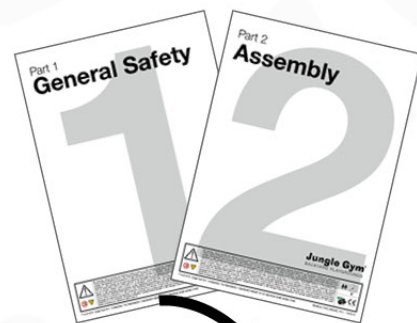
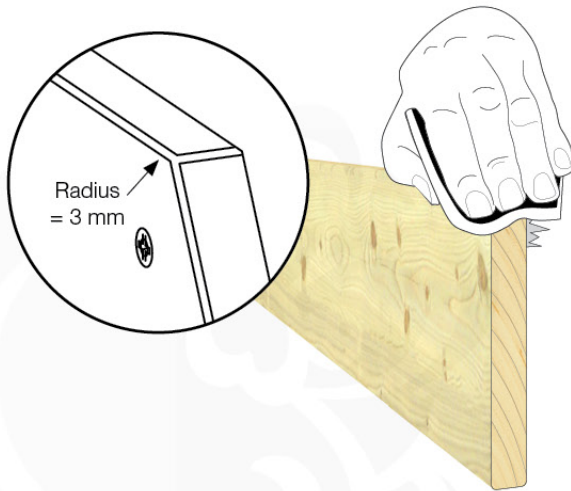
40 L / 80 kg



24h ↓



# 13



# Declaration of Conformity

# Jungle Gym

## BACKYARD PLAYGROUNDS

since 1988

### Manufacturer details

Company Name

Tag-line

Jungle Gym B.V.

Backyard Playgrounds

Address

Valschermkade 18, 1059 CD Amsterdam, Netherlands

### Activity toys for domestic use

Product Range Identification

Sub-Assembly

Universal Packs / Base Towers / Extension Towers / Roofs / Means of Exit/Access / Add-ons : 790\_001 ... 794\_911

Assembly

Playtowers : 801\_005 ... 200

Links : 870\_100 ... 105

Accessories : 201\_060 ... 250\_070

Playhouses : 830\_150 ... 253, 835\_251 ... 253

Swings : 801\_300, \_600, \_601

Slides (XL) : 324\_100 ... 600

Modules : 850\_180 ... 415

Slides (XXL) : 334\_100 ... 600

: 857\_103, 857\_108

Playtowers: 802\_202 ... 208

: 857\_151, 857\_158

803\_202 ... 210

809\_202 ... 804

### Applicable EC directives and standards

Chemical References

1. Migration of certain elements (17x + Chr VI + tin) as required in TSD 2009/48/EC and its amendments. Scrape off toy material. Tested according to EN 71-3:2019.

5. Content of 7 Phthalates (18x) according to REACH (EG) no.1907/2006, Annex XVII. Tested according to COC-CH-C1011-09.3 and EN 15777 / QMA 2011.1300

9. Content of 3 Flame retardants according to REACH (EG) no. 1907/2006, Annex XVII. Tested according to EN 62321-6.

2. Migration of solvents, monomers and plasticizers as specified in "Safety for Toys; Organic Chemical Compounds", EN 71-9: 2005 + A1: 2007. Tested according to EN 71-10: 2005 & EN 71-11: 2005.

6. Content of Cadmium according to REACH (EG) no. 1907/2006, Annex XVII. Tested according to EN 17294-2

10. NI release according to REACH (EG) no. 1907/2006, Annex XVII. Tested according to EN 71-3:2013+A1:2014.

3. Content of N-nitrosamines and N-nitrosatable substances as specified in EN standard 71-12: 2013. Tested according to EN 71-12: 2013.

7. Formaldehyde according to REACH (EG) no. 1907/2006, Annex XVII. Tested according to EN 14184

11. Sweat and Salvia resistance tested according to DIN 53160

4. Content of 18 PAHs (Polycyclic Aromatic Hydrocarbons) as referred in A1PS GS 2014:01 PAK (Replaced on 2019:01). Tested according to QMA 2011.1284

8. Azo dyes according to REACH (EG) no. 1907/2006, Annex XVII. Tested according to BVL B 82.02-2.

Mechanical physical properties + flamability

EN 71 - 1 : 2014 + A1: 2018 EN 71 - 2 : 2011 + A1: 2014 EN 71 - 8 : 2018

### Supplementary information

Conformity to the above specified directives and standards has been frequently verified and is continuously monitored by TÜV Süd, TÜV Rheinland LGA products, DEKRA (DE), STR Ltd (UK), LNE SA (FR), LMR Ltd (US) and IPS N.V. (BE) since 1994. Jungle Gym participates in the European Commission for standardisation for the safety of activity toys ( TC52 / WG 10).

### Declaration

I hereby declare under our sole responsibility that the products mentioned above, to which this declaration relates, complies with the above mentioned directives and standards.



Name

Mr. P. Schmit / Director

Issued date

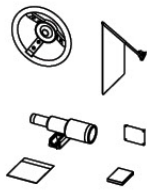
Januari 3<sup>rd</sup>, 2022

Signature of representative

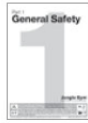


# Construction Packages (Sub-Assembly)

## Universal Packs (AC)



**Accessory set**  
194\_119

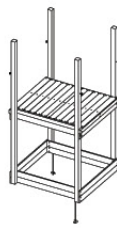


**General Manual**  
040\_805



**Quick Start Guide**  
040\_905  
040\_910  
040\_915  
040\_923

## Base Towers (BT)



**Tower 80**  
790\_001  
790\_002  
790\_003  
790\_005

**Tower 115**  
792\_001  
792\_002  
792\_002  
792\_003

**Tower 140**  
794\_001

## Extension Towers (ET)

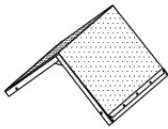


**Tower 80** **Tower 140**  
790\_101 794\_102  
790\_102 794\_103  
794\_105

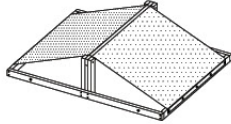
**Tower 115**  
792\_101 794\_106  
792\_102 794\_104  
792\_103 794\_107  
792\_104 794\_108  
792\_105 794\_109  
792\_106 794\_110  
792\_107  
792\_108  
792\_109  
792\_110  
792\_111  
792\_112

## Roofs (RF)

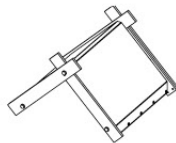
### Canvas roofs



**Angle 90°**  
792\_201



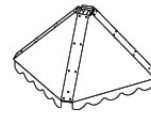
**Angle 120°**  
792\_206  
794\_204



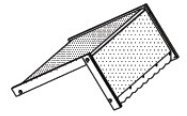
**Tipi**  
790\_203



**Gable**  
790\_202



**Pyramid**  
790\_205

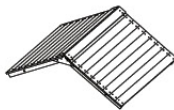


**Excentric**  
792\_204

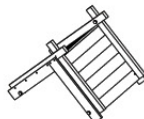
### Timber roofs



**Angle 90°**  
792\_202  
794\_202



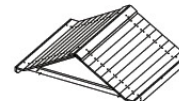
**Angle 120°**  
792\_203  
794\_203



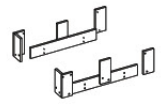
**Tipi**  
790\_204



**Clapboard**  
790\_201

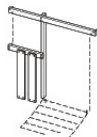


**Dutch**  
792\_205



**Lookout**  
790\_206

## Means of Exit/Access



**Bridge Frames**  
**BF**  
792\_602  
794\_602



**Balustrades**  
**BL**  
790\_301  
792\_301  
794\_301  
794\_302



**Slides**  
**SL**  
790\_901  
792\_901  
792\_902  
792\_903  
794\_901



**Firemans Poles**  
**FP**  
790\_903  
792\_911  
792\_912  
792\_913  
794\_911



**Ladder**  
**LA**  
790\_433  
790\_434  
792\_431  
792\_432  
794\_431  
794\_432



**Two Step Ladder**  
**LA**  
790\_413  
792\_411  
792\_412  
794\_411  
794\_412



**Rope ladder**  
**LA**  
790\_421

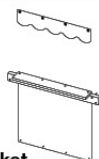


**Rock wall**  
**RW**  
790\_403  
792\_401  
792\_402  
794\_401  
794\_402

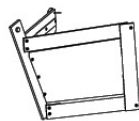


**Ramp**  
**RA**  
790\_441

## Add-ons



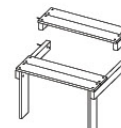
**Market**  
**MT**  
790\_502



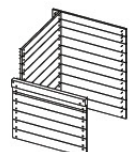
**Boat front**  
**BO**  
790\_501



**Clutter bridge 80**  
**CB**  
790\_601

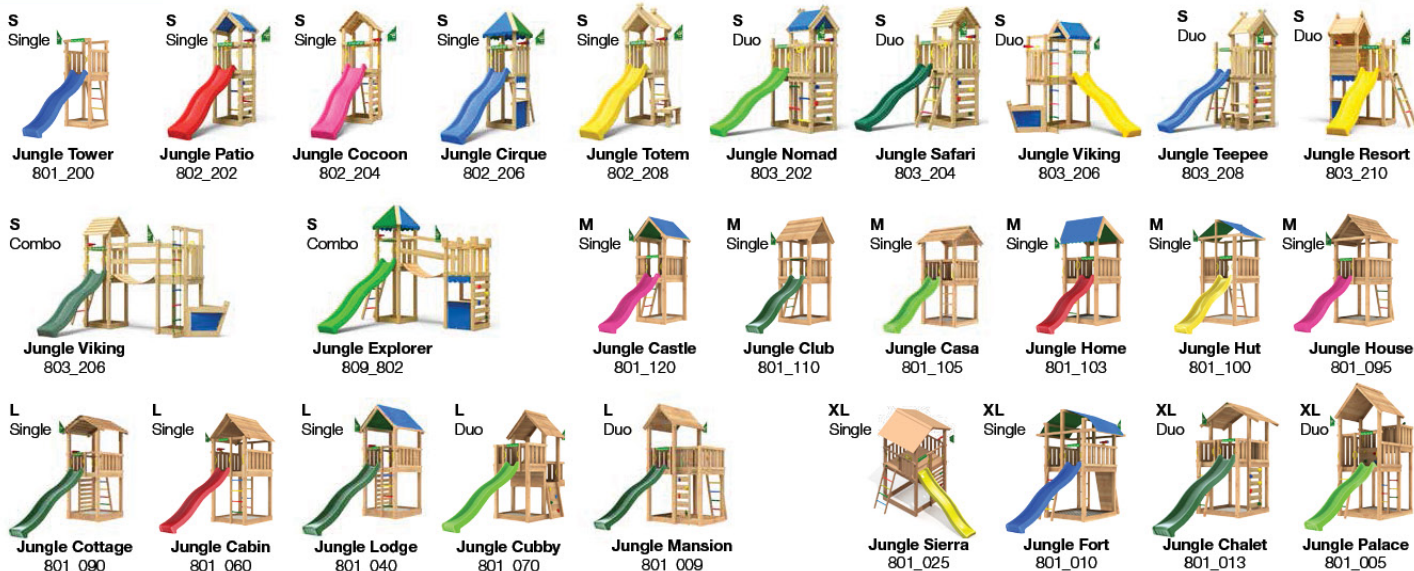


**Picnic**  
**PC**  
790\_503

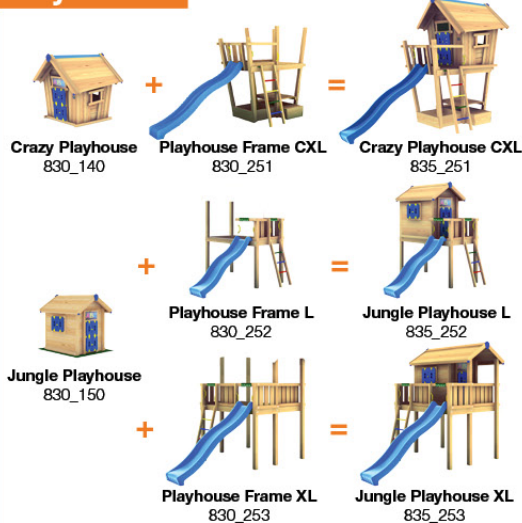


**Playhouse 80**  
**PH**  
790\_302

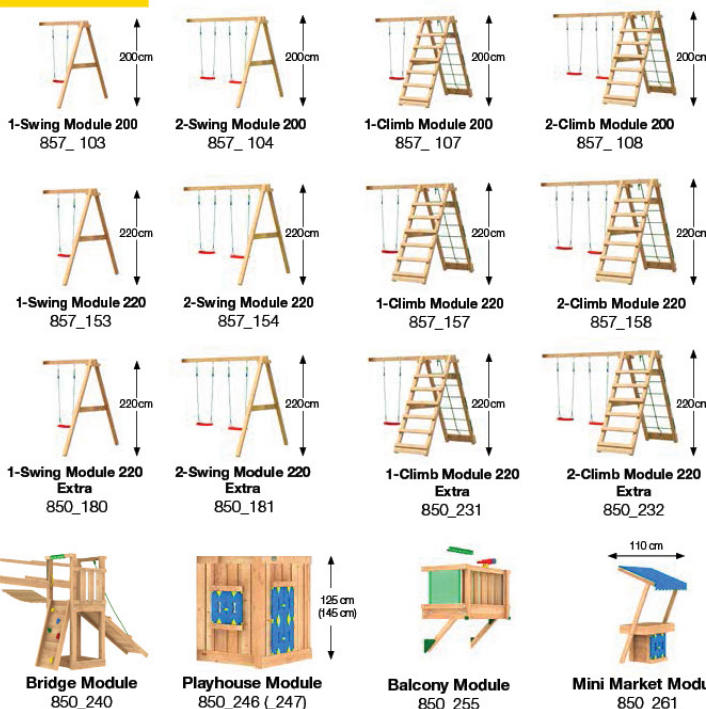
## Playtowers



## Playhouses



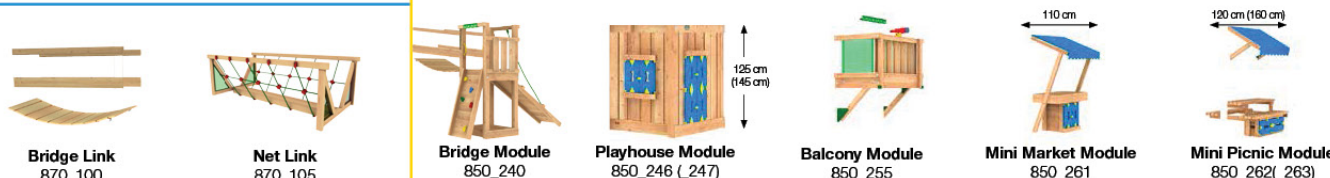
## Modules



## Swings



## Links



## Accessories

