

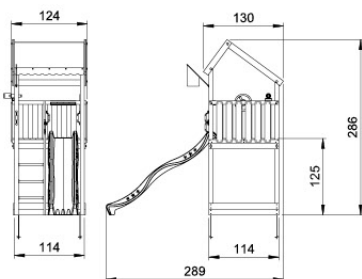
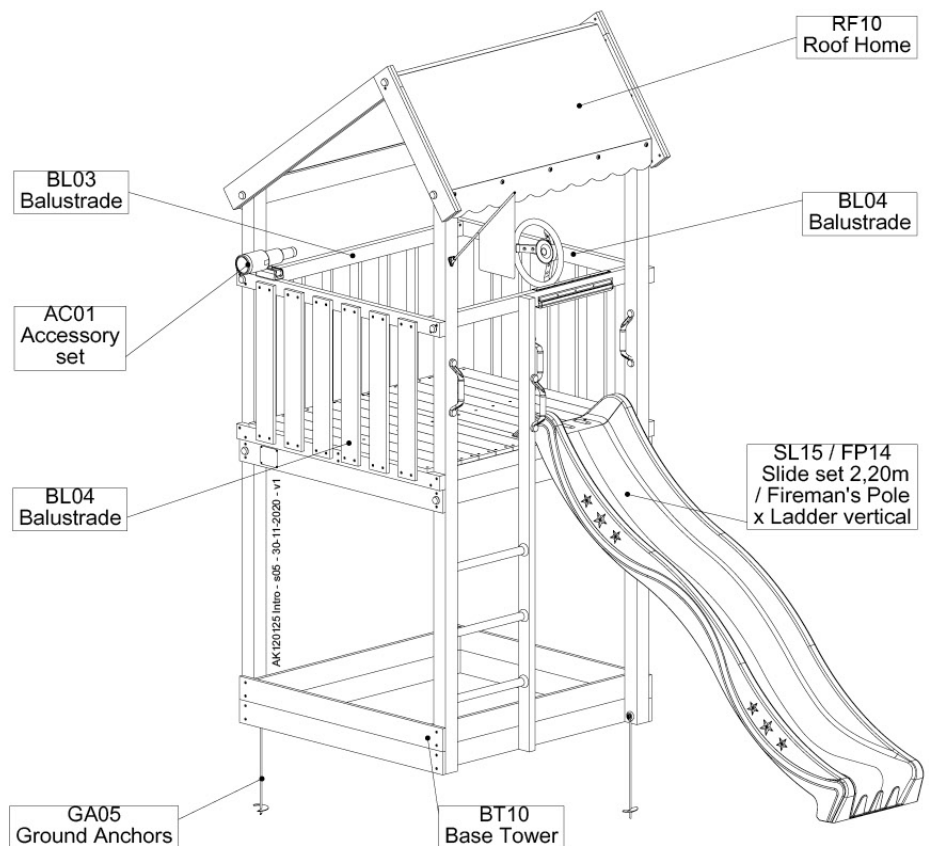
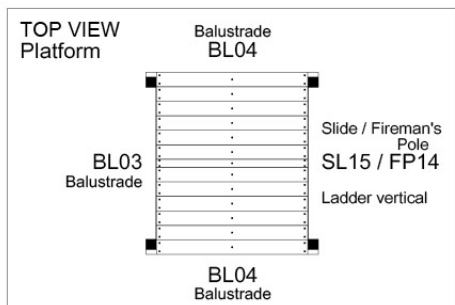
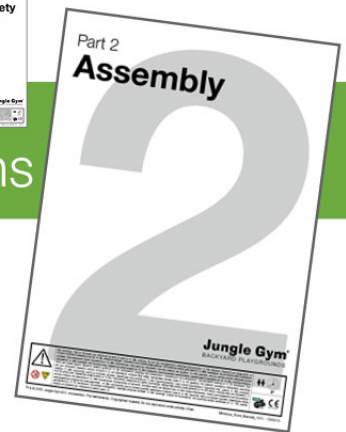
Part 2

Assembly

Instructions

Jungle Home 2.1

801_128



HOME 2.1
701_128

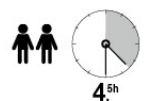
Jungle Gym

BACKYARD PLAYGROUNDS

since 1988



EN. Warnings. Only for domestic use. Maximum number of users is 6. **DE.** Achtung. Nur für den Hausgebrauch. Maximale Benutzerzahl: 6. **FR.** Attention. Réserve à un usage familial. Le nombre maximal d'utilisateurs est de 6. **NL.** Waarschuwingen. Uitsluitend voor huishoudelijk gebruik. Het maximale aantal gebruikers is 6. **BG.** Внимание. За употреба само в домашни условия. Максималният брой потребители е 6. **CS.** Varování. Jen pro domácí použití. Maximální počet uživatelů je 6. **DA.** Advarsel. Kun til privat brug. Maksimum antal brugere er 6. **EL.** Προειδοποίηση. Μόνο για οικιακή χρήση. Μέγιστος αριθμός χρηστών 6. **ES.** Advertencias. Solo para uso doméstico. Número máximo de usuarios: 6. **ET.** Hoiatused. Ainult koduseks kasutamiseks. Maksimaalne kasutajate arv on 6. **FI.** Varoitukset. Ainoastaan kotikäyttöön. Käyttäjää yhteensä enintään 6. **HR.** Upozorenja. Samo za kućansku uporabu. Maksimalan broj korisnika je 6. **HU.** Figyelmeztetések. Csak otthoni használatra! A használók max. száma: 6. **IS.** Varnaðarorð. Eingöngu fyrir einkanothun í heimahúsum og á einkalóðum. Hámarksfjöldi notenda er 6. **IT.** Avvertenze. Solo per uso domestico. Massimo numero di utenti è 6. **LT.** Įspėjimai. Tik buitnam naudojimui. Maksimalus naudotojų skaičius 6. **LV.** Brīdinājumi. Izmantoj tikai mājās. Maksimālais lietotāju skaits ir 6. **NO.** Advarsel. Kun for privat bruk. Maksimalt antall brukere er 6. **PL.** Ostrzeżenia. Wyłącznie do użytku domowego. Maksymalna liczba użytkowników to 6. **PT.** Avisos. Apenas para uso doméstico. O número máximo de utilizadores é 6. **RO.** Avertismente. Numai pentru uz domestic. Numărul maxim de utilizatori este 6. **RU.** Предостережения. Только для домашнего использования. Максимальное количество пользователей - 6. **SK.** Upozornenia. Iba na domáce použitie. Maximálne množstvo osôb je 6. **SL.** Opozorila. Samo za domačo uporabo. Maksimalno število uporabnikov je 6. **SR.** Upozorenja. Samo za kućnu upotrebu. Maksimalan broj korisnika je 6. **SV.** Varningar. Endast för hemmabruk. Det maximala antalet användare är 6. **TR.** Uyarılar. Sadece ev kullanımı için. Maksimum kullanıcı sayısı 6.

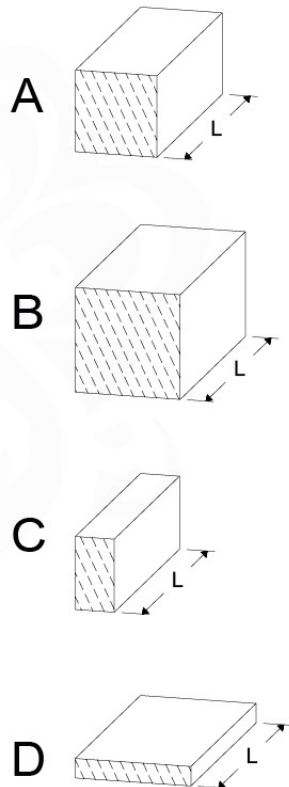


What's in the delivery?

| | | | | |
|--|--------------------------|---------------------------|--|---|
| 1x 040_805 1x 040_036 | 1x 022_300 | 1x 120_024 | 2x 007_001 | 4x 022_320 |
| 1x 103_901 | 1x 122_302 | 1x 123_200 | 1x 104_107 | 1x 100_051 |
| 1x 022_910 | 3x 005_03x | 14x 120_005 | 1x 120_400 9x 022_845 | 1x 123_222 Canvas |

Timber


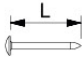

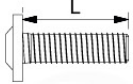
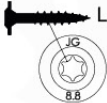
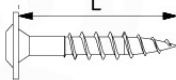

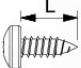

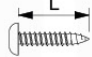

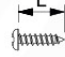

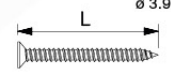
601_128 Jungle Home 2.1

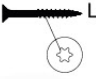
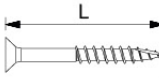


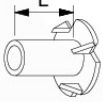






| L | | |
|------------------------------------|--|--|
| A240 A220 | 239cm - 240cm 219cm - 220cm | 2 x 2 x |
| - | - | - |
| C186 C114 | 185cm - 186cm 113cm - 114cm | 1 x 10 x |
| D114 D105 D100 D65 D56 | 113cm - 114cm 102cm - 105cm 99cm - 100cm 64cm - 65cm 53cm - 56cm | 16 x 2 x 13 - 14 x 20 x 2 x |

output: 02/12/20

General Hardware Types

| | | L | |
|--|--|---|--|
|  |  | 000_101 | 20 mm |
|  |  | 001_102 | 30 mm |
|  |  | 001_404 001_406 001_411 001_417 001_422 | 30 mm 45 mm 60 mm 80 mm 137 mm |
|  |  | 002_036 | 16 mm |
|  |  | 002_041 | 20 mm |
|  |  | 002_042 | 13 mm |
|  |  | 002_301 | 40 mm |

| | | L | |
|---|--|--|----------------------------------|
|  |  | 002_308 002_219 002_220 002_223 | 20 mm 30 mm 45 mm 80 mm |
| |  | 003_010 | |
| |  | 003_034 | |
| |  | 004_050 | 22mm |
| |  | 022_845 022_846 022_847 022_848 | Yellow Blue Green Red |
| |  | 023_031 | White |
|  |  | 120_005 | White |

output: 20/11/20

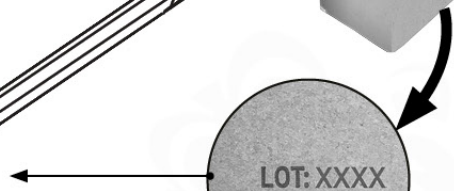
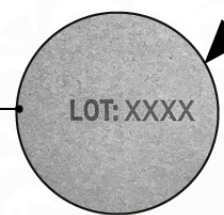
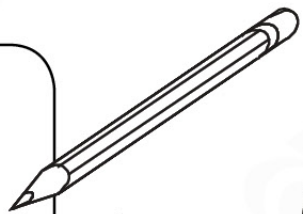
01 Product Identification



Art. Description: _____

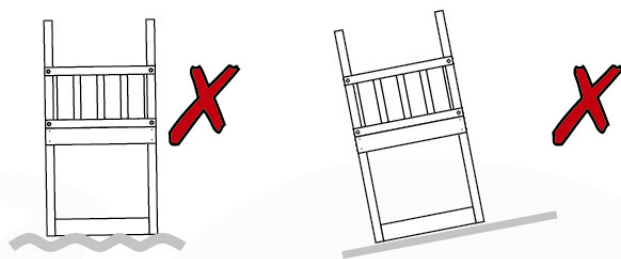
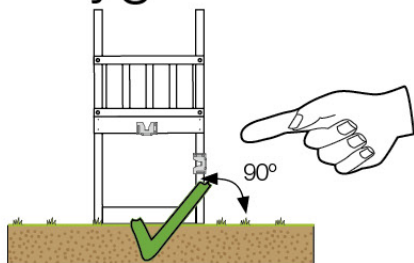
Art. Reference: _____

LOT: _____

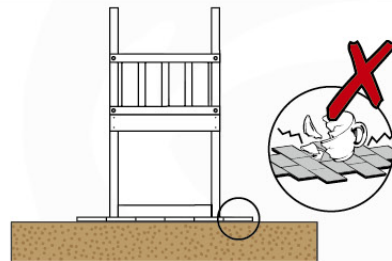
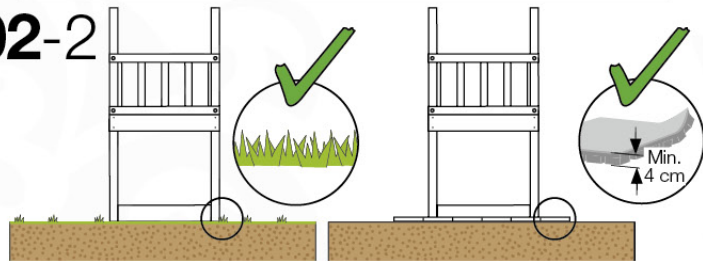


02 Safe Playground

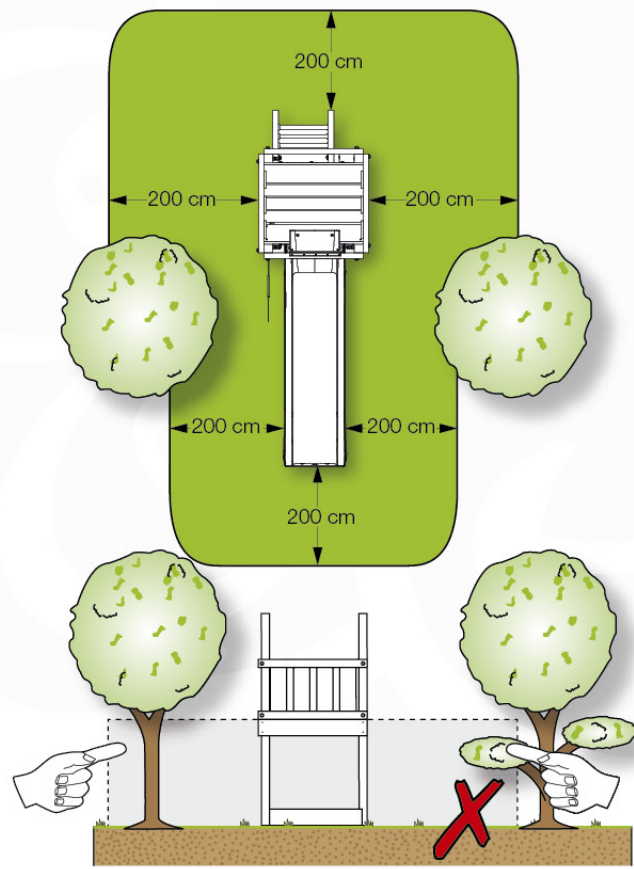
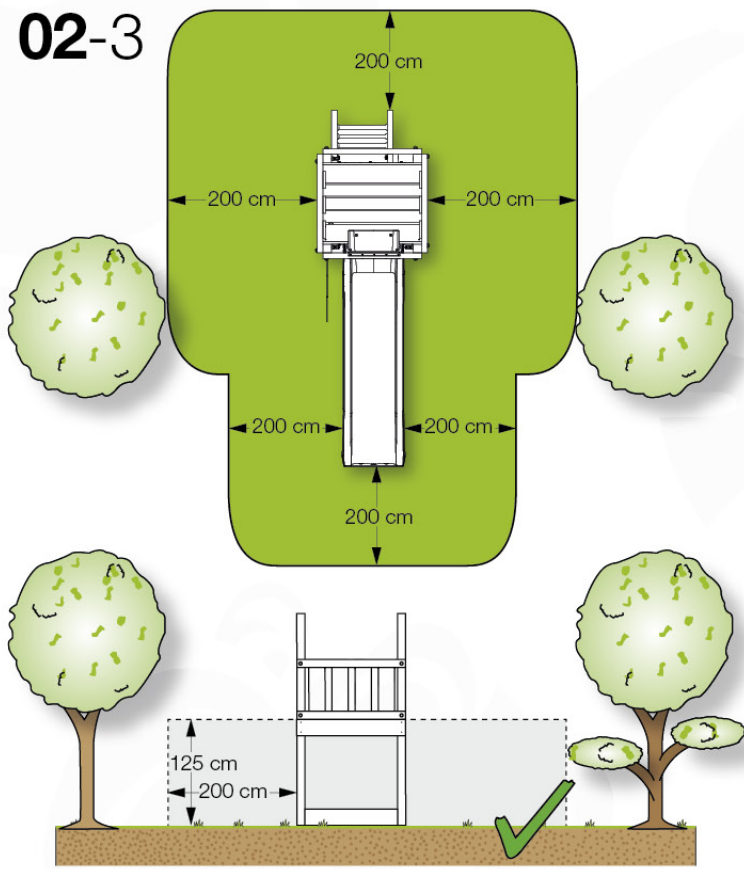
02-1



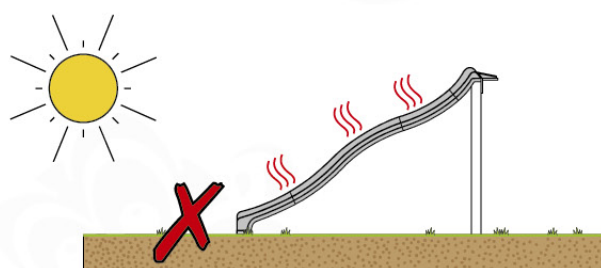
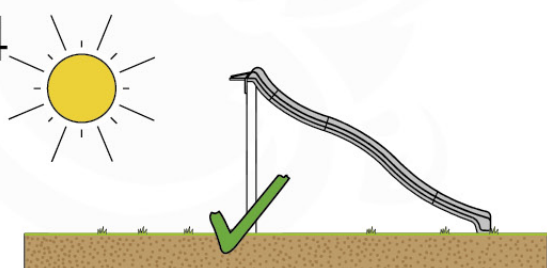
02-2



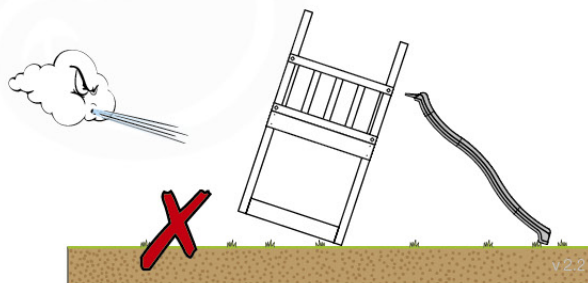
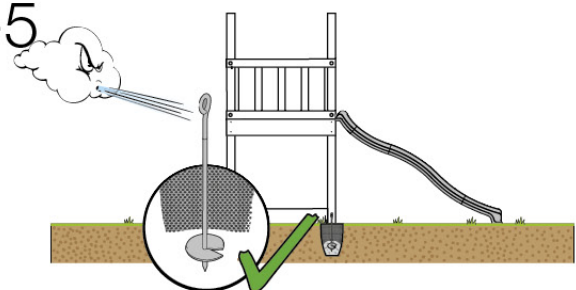
02-3



02-4



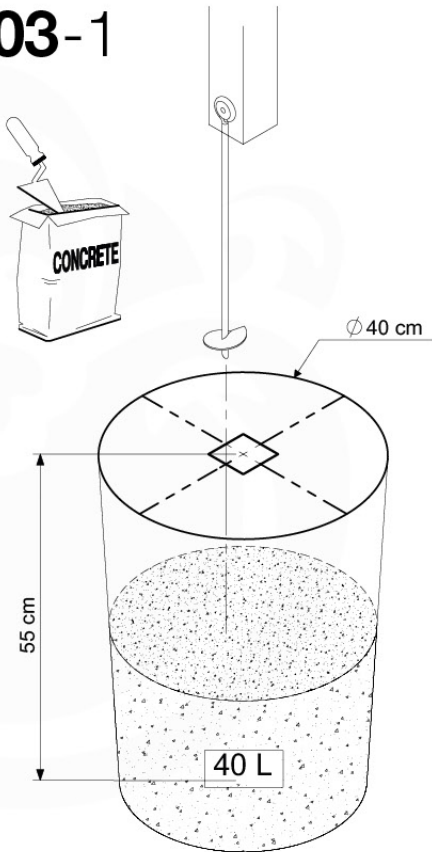
02-5



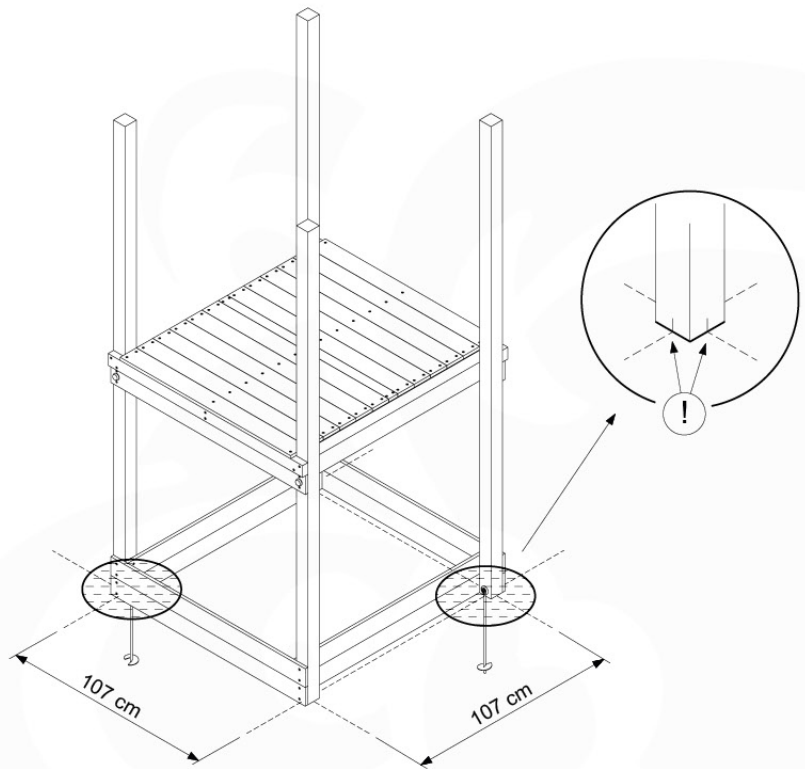
03 Playground Foundation

FD05

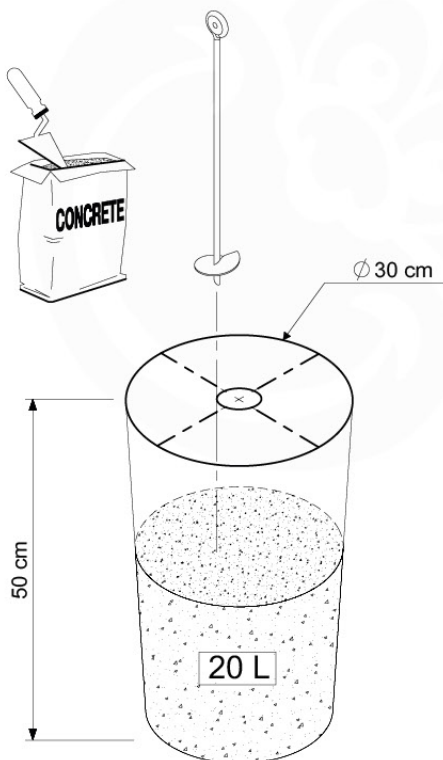
03-1



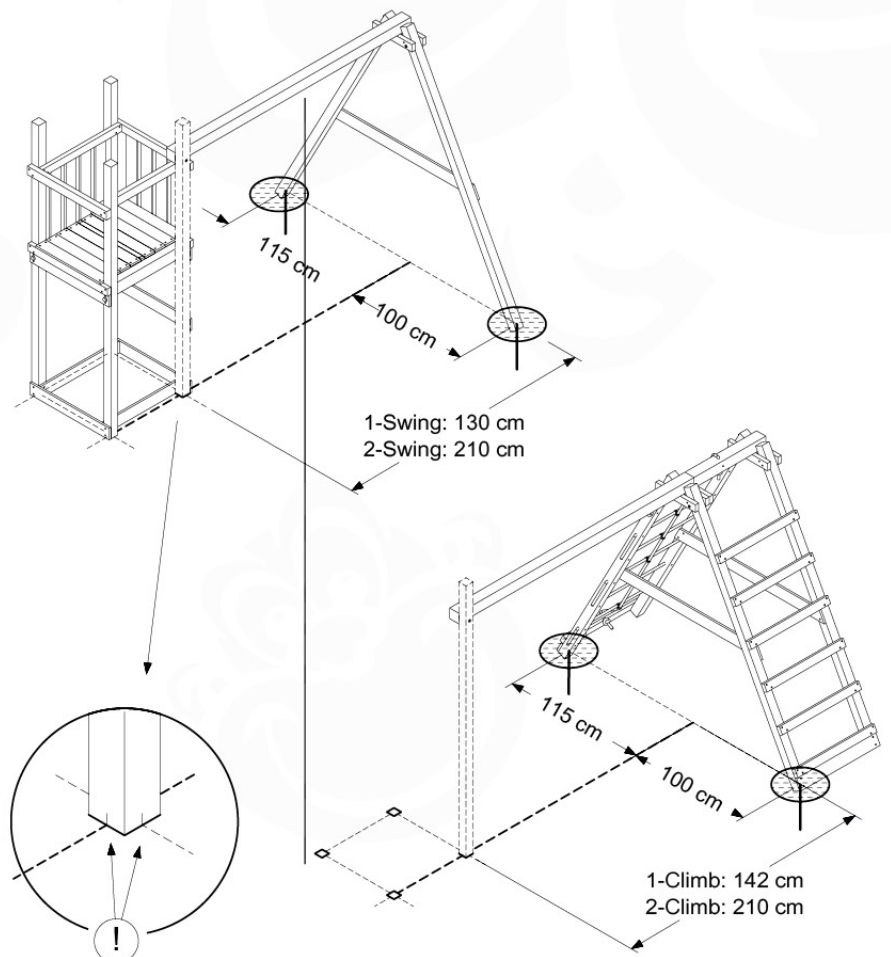
Foundation Plan - P07 - 27-11-2020 - 03



03-2



Foundation Plan - P06 - 27-11-2020 - 03

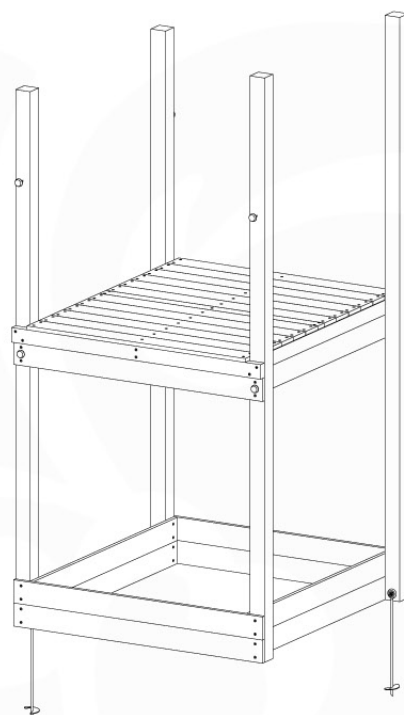


04 Base Tower

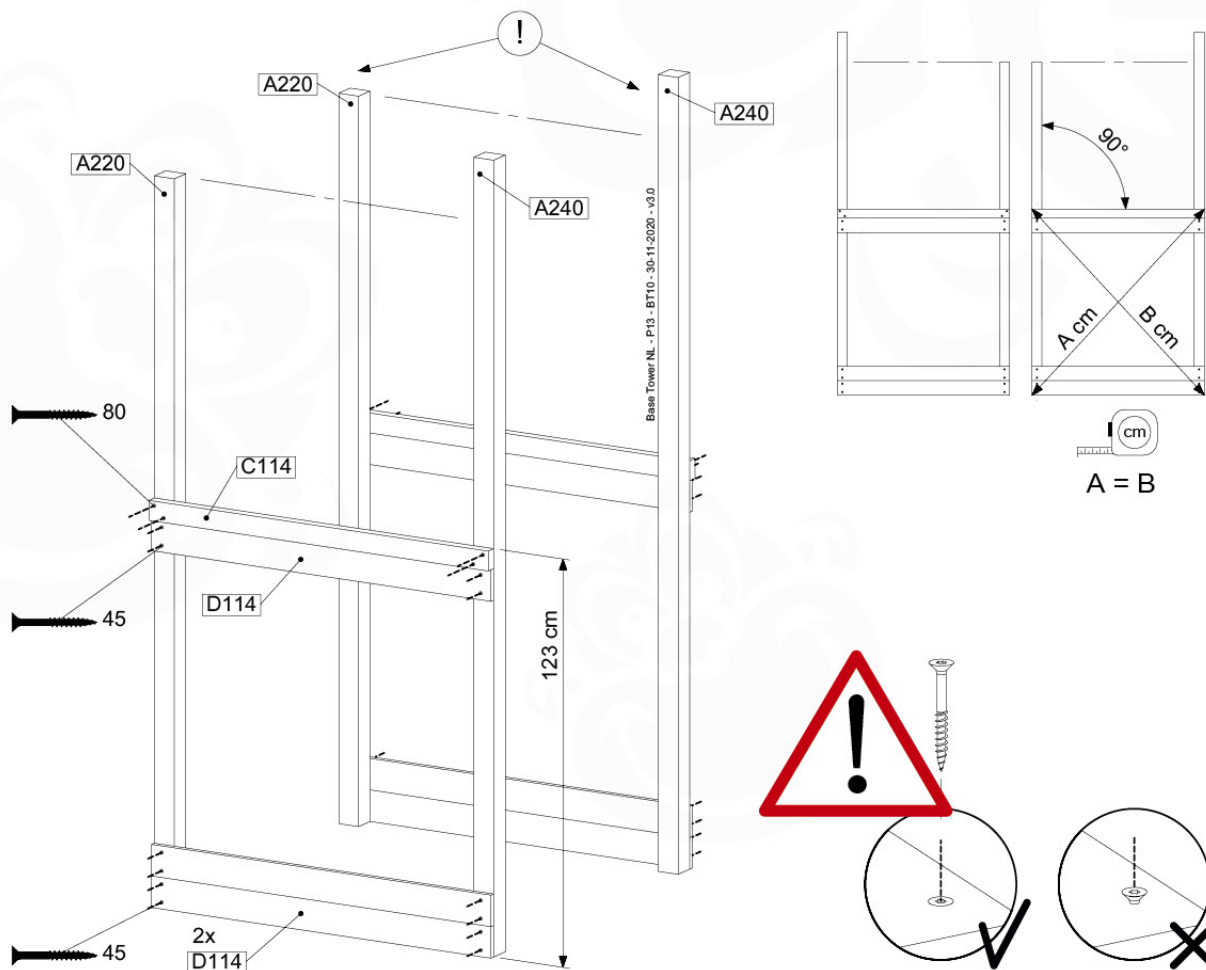
BT10

| | PartNo | PartName | QTY. |
|---------------|---------|----------------------------|-------|
| Hardware Pack | 001_406 | Stealth Screw 8x45 | 10 |
| | 002_220 | Gap Point Screw T25 - 5x45 | 118 |
| | 002_223 | Gap Point Screw T25 - 5x80 | 20 |
| Other | 007_001 | Ground-anchor | 2 |
| Hardware Pack | 022_31x | bpc-base version 3 | 8 |
| | 022_84x | bpc cover | 8 |
| Timber | A220 | Post 70x70 L2200 | 2 |
| | A240 | Post 70x70 L2400 | 2 |
| | C114 | Beam 1140 mm | 5 |
| | D100 | Board 1000 mm | 11-14 |
| | D114 | Board 1140 mm | 12 |

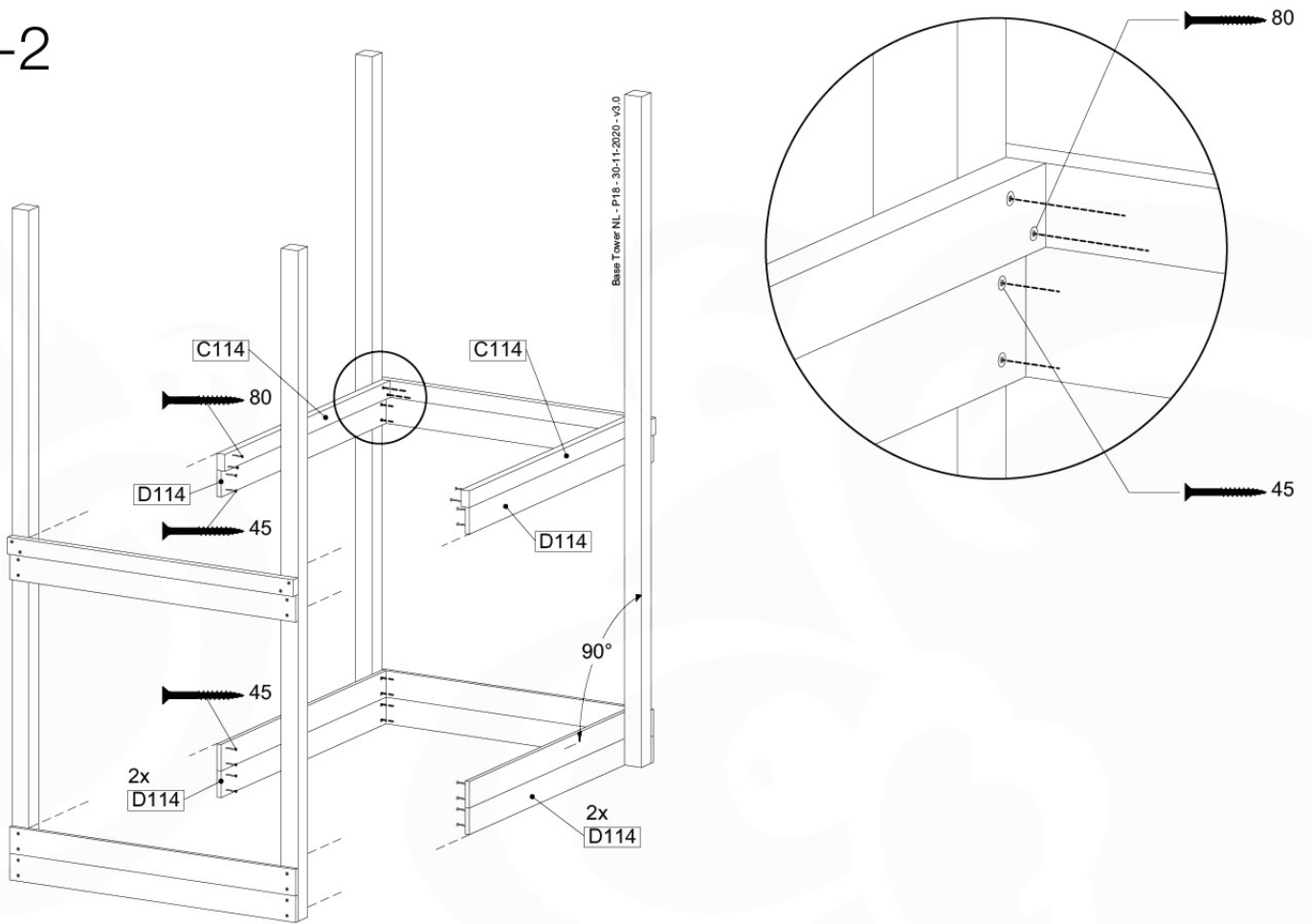
Base Tower NL - P05 - BT10 - 30-11-2020 - v3.0



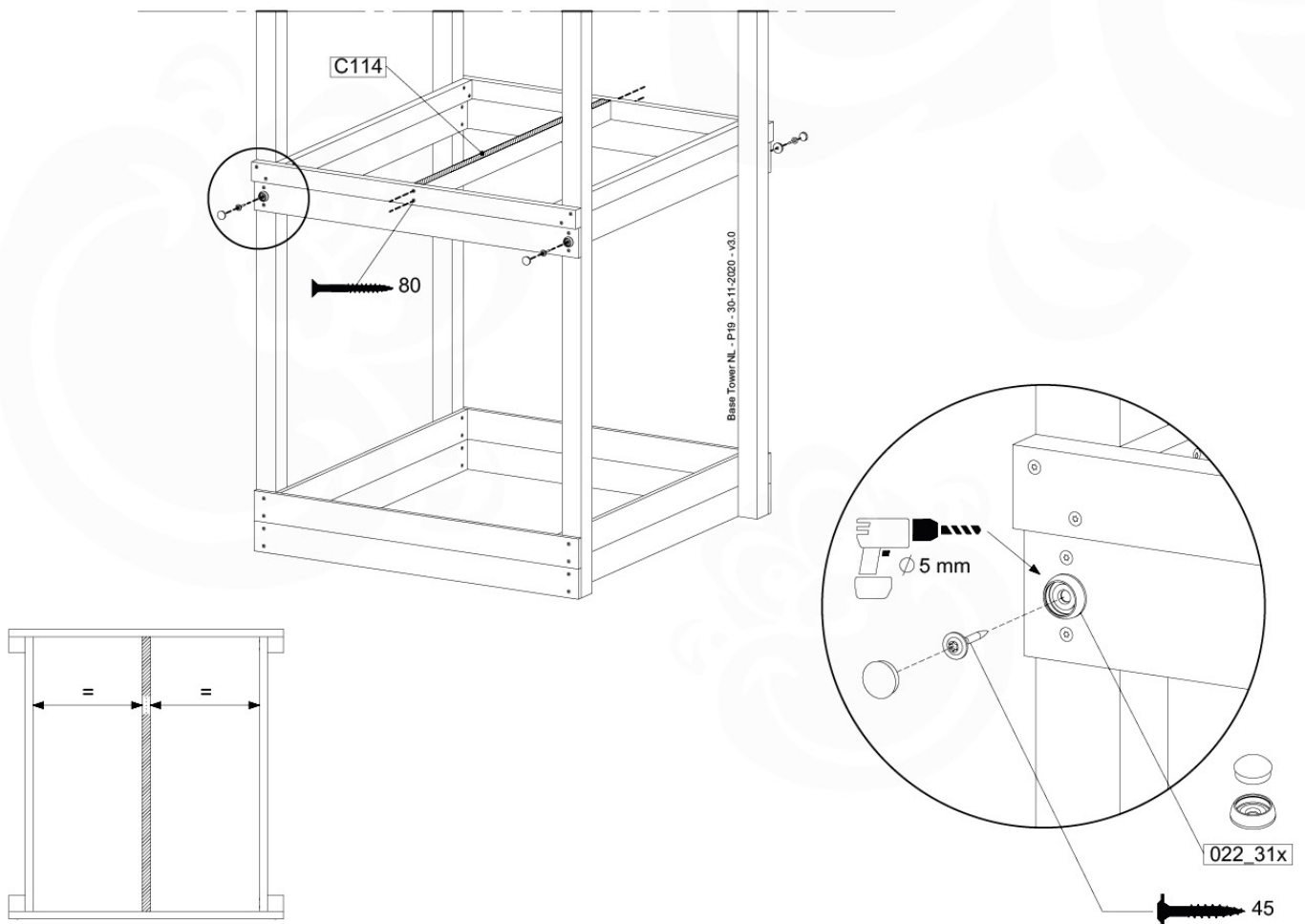
04-1



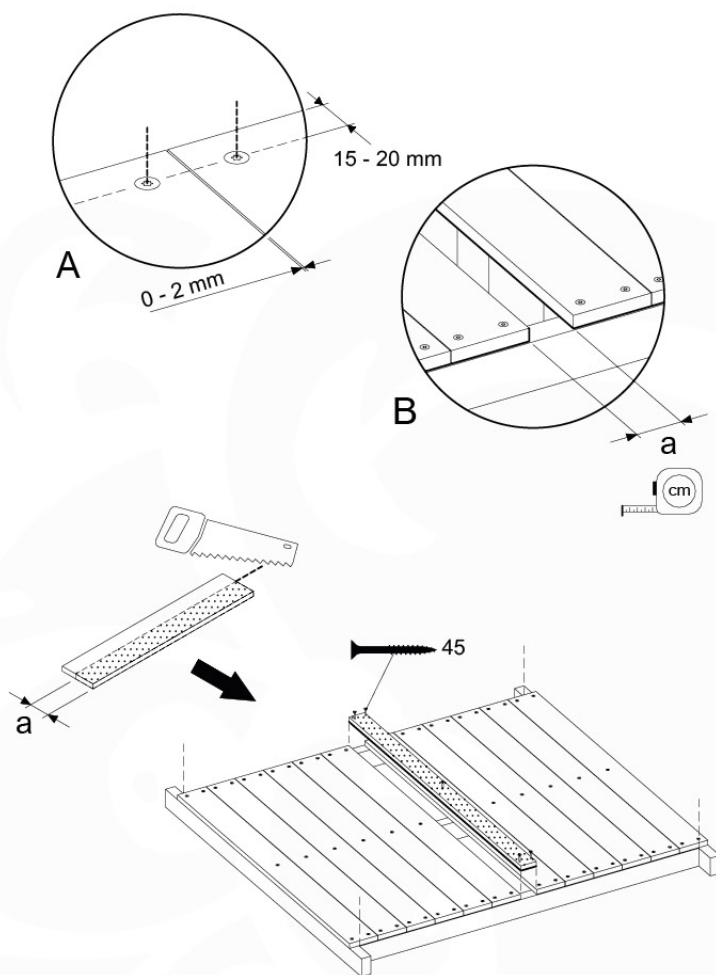
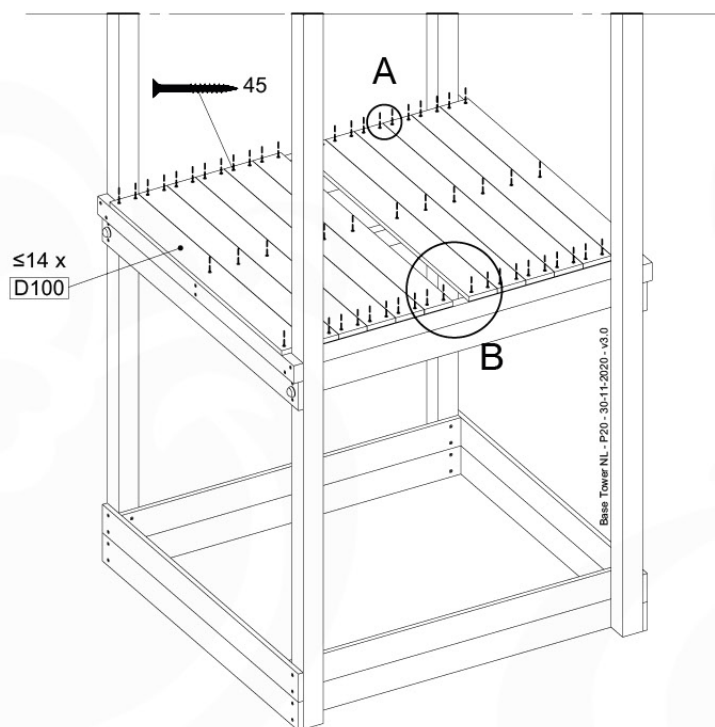
04-2



04-3

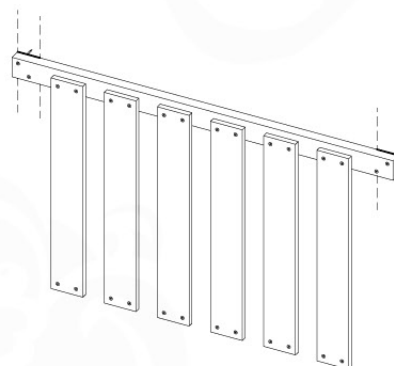


04-4



05 Balustrade (2x)

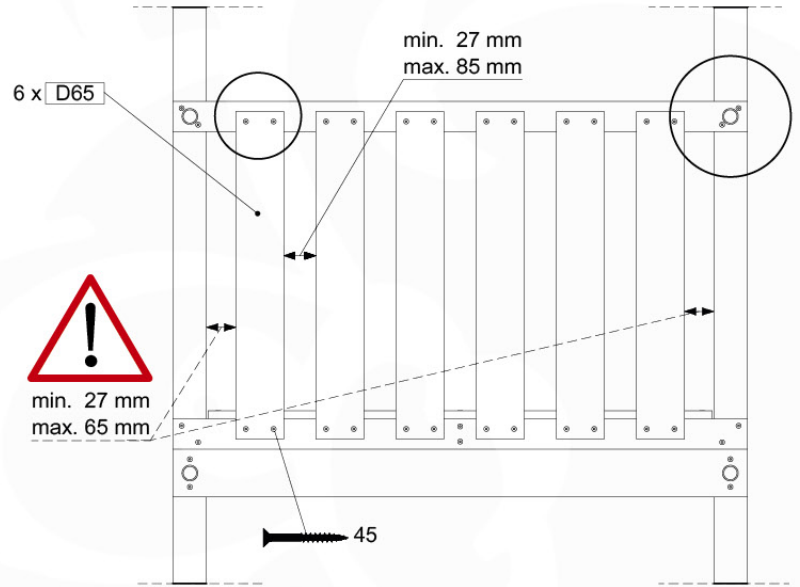
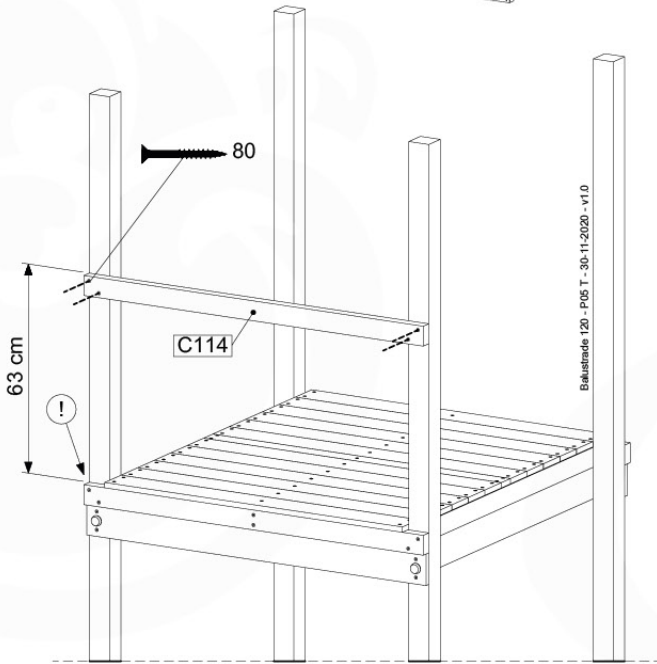
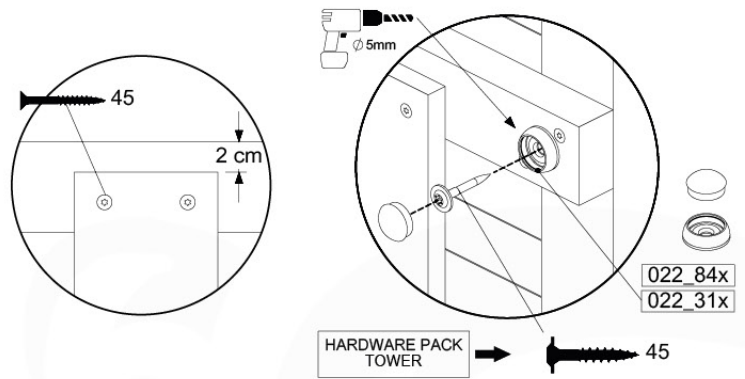
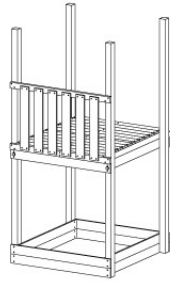
BL04



| | PartNo | PartName | QTY. |
|---------------|---------|----------------------------|------|
| Hardware Pack | 002_220 | Gap Point Screw T25 - 5x45 | 24 |
| | 002_223 | Gap Point Screw T25 - 5x80 | 4 |
| Timber | C114 | Beam 1140 mm | 1 |
| | D65 | Board 650 mm | 6 |

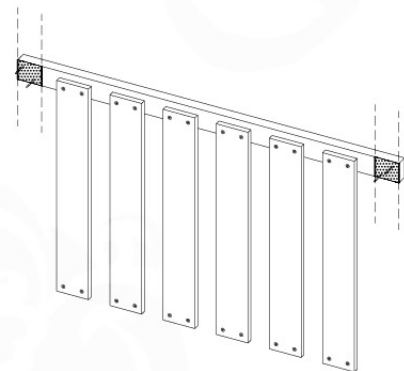
Balustrade 120 - P03 T - 30-11-2020 - v1.0

05-1



06 Balustrade

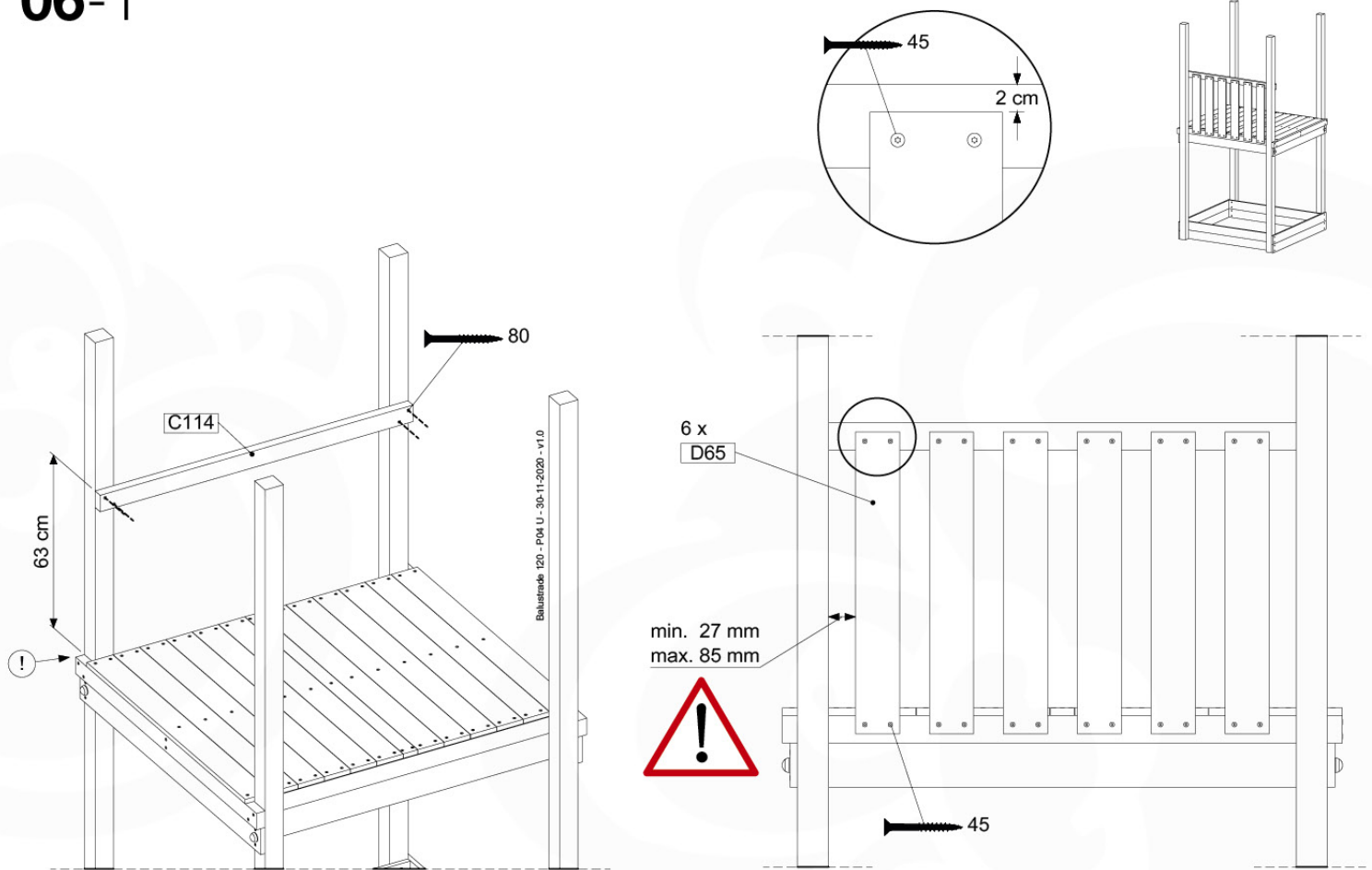
BL03



| | PartNo | PartName | QTY. |
|---------------|---------|----------------------------|------|
| Hardware Pack | 002_220 | Gap Point Screw T25 - 5x45 | 24 |
| | 002_223 | Gap Point Screw T25 - 5x80 | 4 |
| Timber | C114 | Beam 1140 mm | 1 |
| | D65 | Board 650 mm | 6 |

Balustrade 120 - P02 U - 30-11-2020 - v1.0

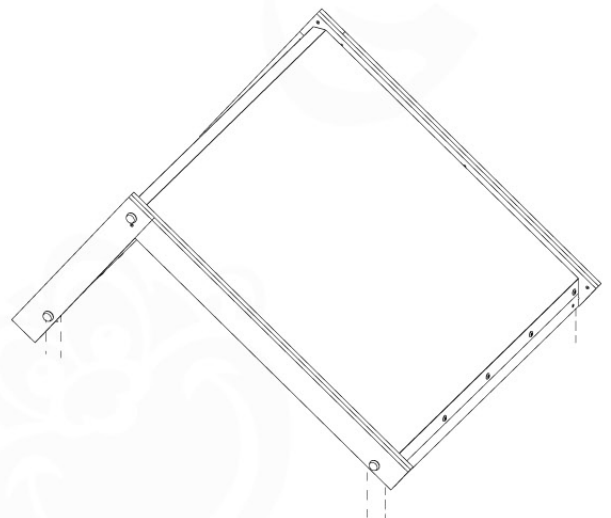
06-1



07 Roof Home

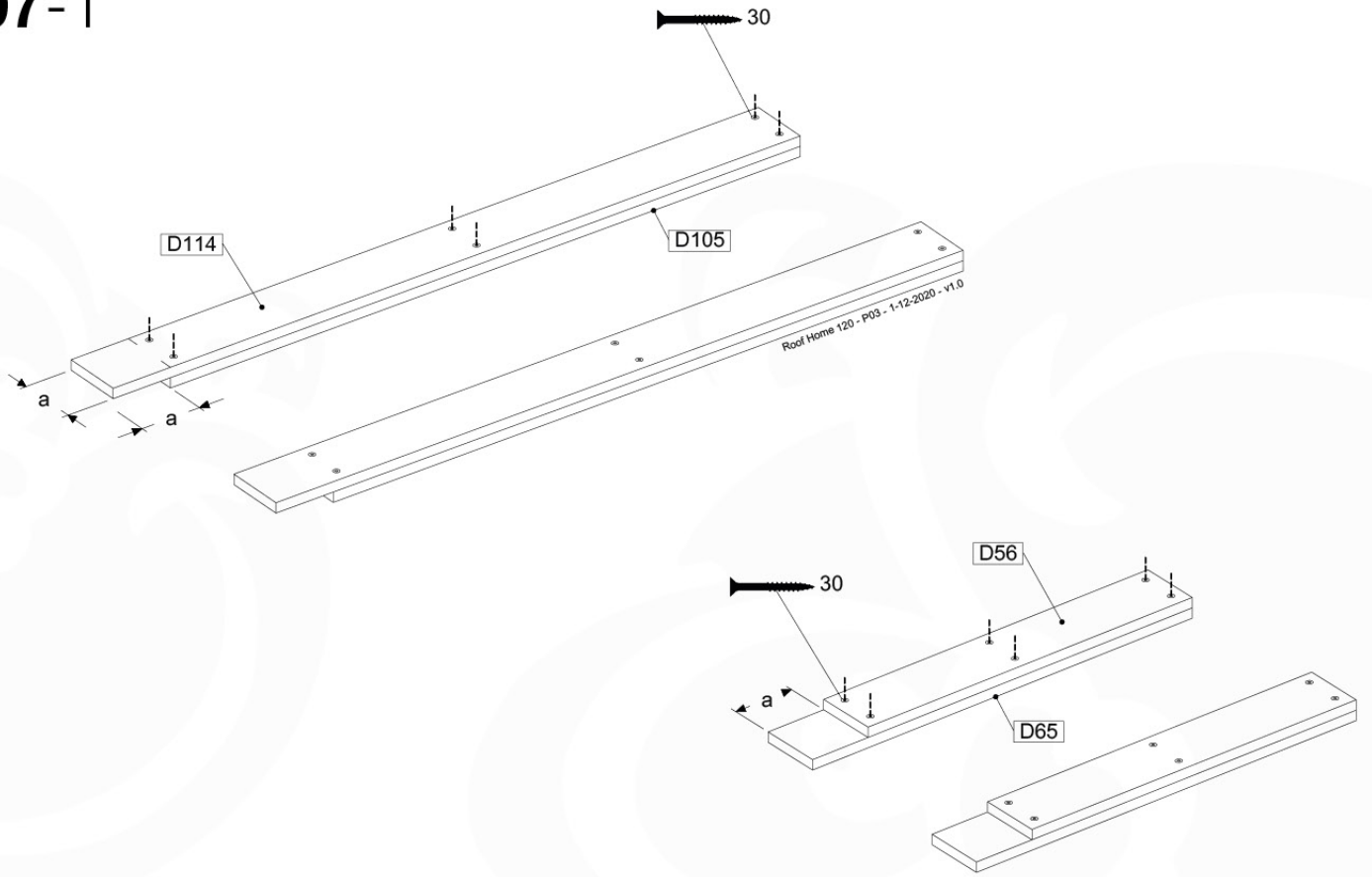
RF10

| | PartNo | PartName | QTY. |
|---------------|---------|---------------------------------------|------|
| Hardware Pack | 001_417 | Stealth Screw 8x80 | 6 |
| | 002_219 | Gap Point Screw T25 - 5x30 | 28 |
| | 002_220 | Gap Point Screw T25 - 5x45 | 8 |
| | 002_223 | Gap Point Screw T25 - 5x80 | 2 |
| | 002_308 | Gap Point Screw T25 - 5x20 | 10 |
| | 022_31x | bpc-base version 3 | 6 |
| | 022_84x | bpc cover | 6 |
| | 023_031 | Finishing Washer GPS 5.0 | 10 |
| Other | 123_222 | Sheet Canvas Navigator Line 1200x1850 | 1 |
| Timber | C114 | Beam 1140 mm | 1 |
| | D56 | Board L=(650 - board width) mm | 2 |
| | D65 | Board 650 mm | 2 |
| | D105 | Board L=(1140-boardw) mm | 2 |
| | D114 | Board 1140 mm | 4 |

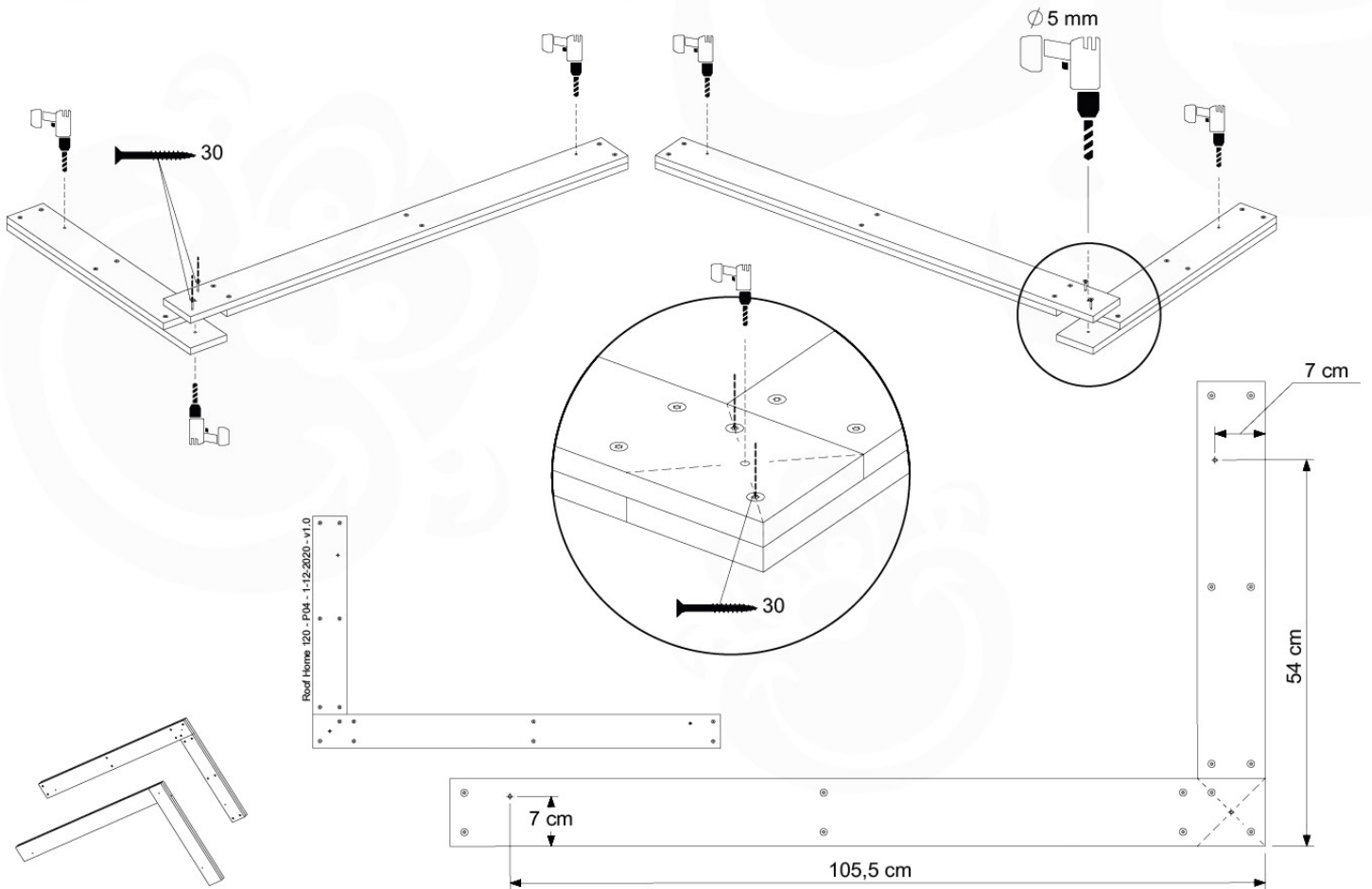


Roof Home 120 - P02 - 1-12-2020 - v1.0

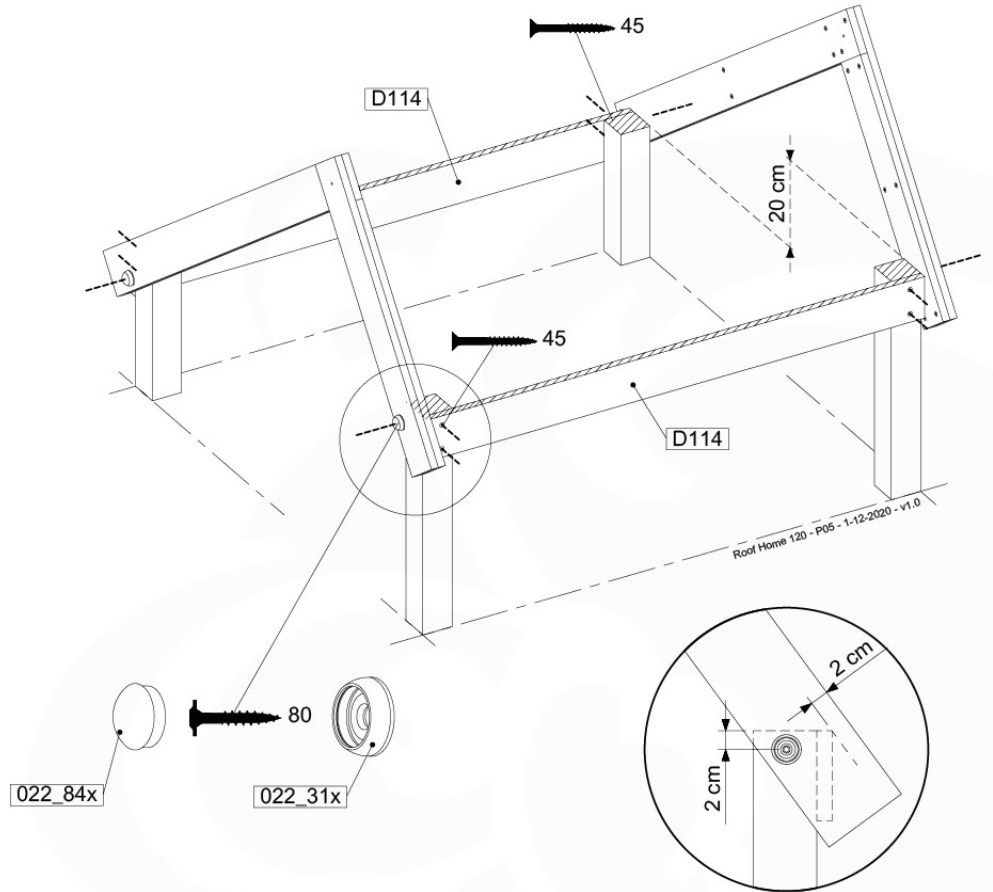
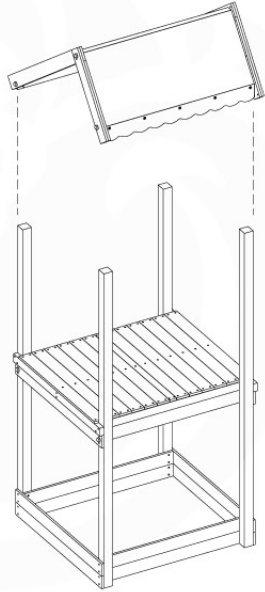
07-1



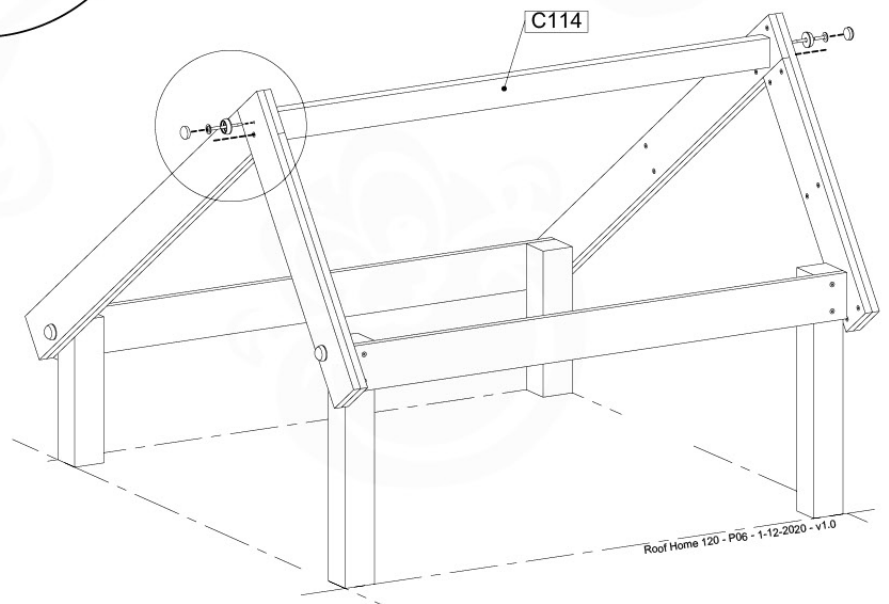
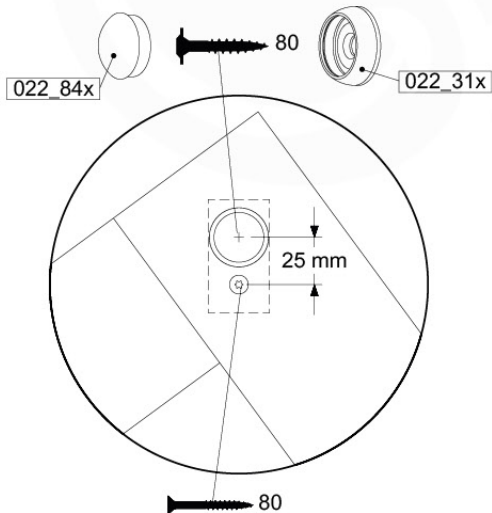
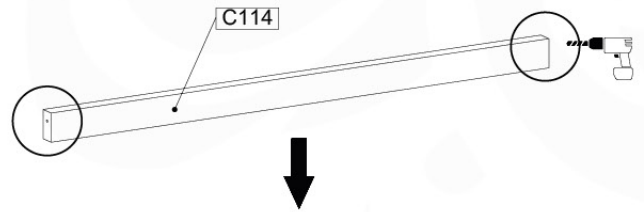
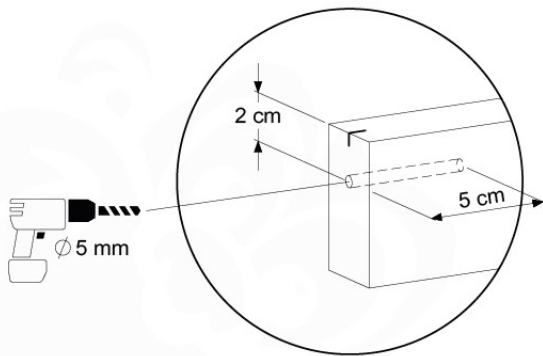
07-2



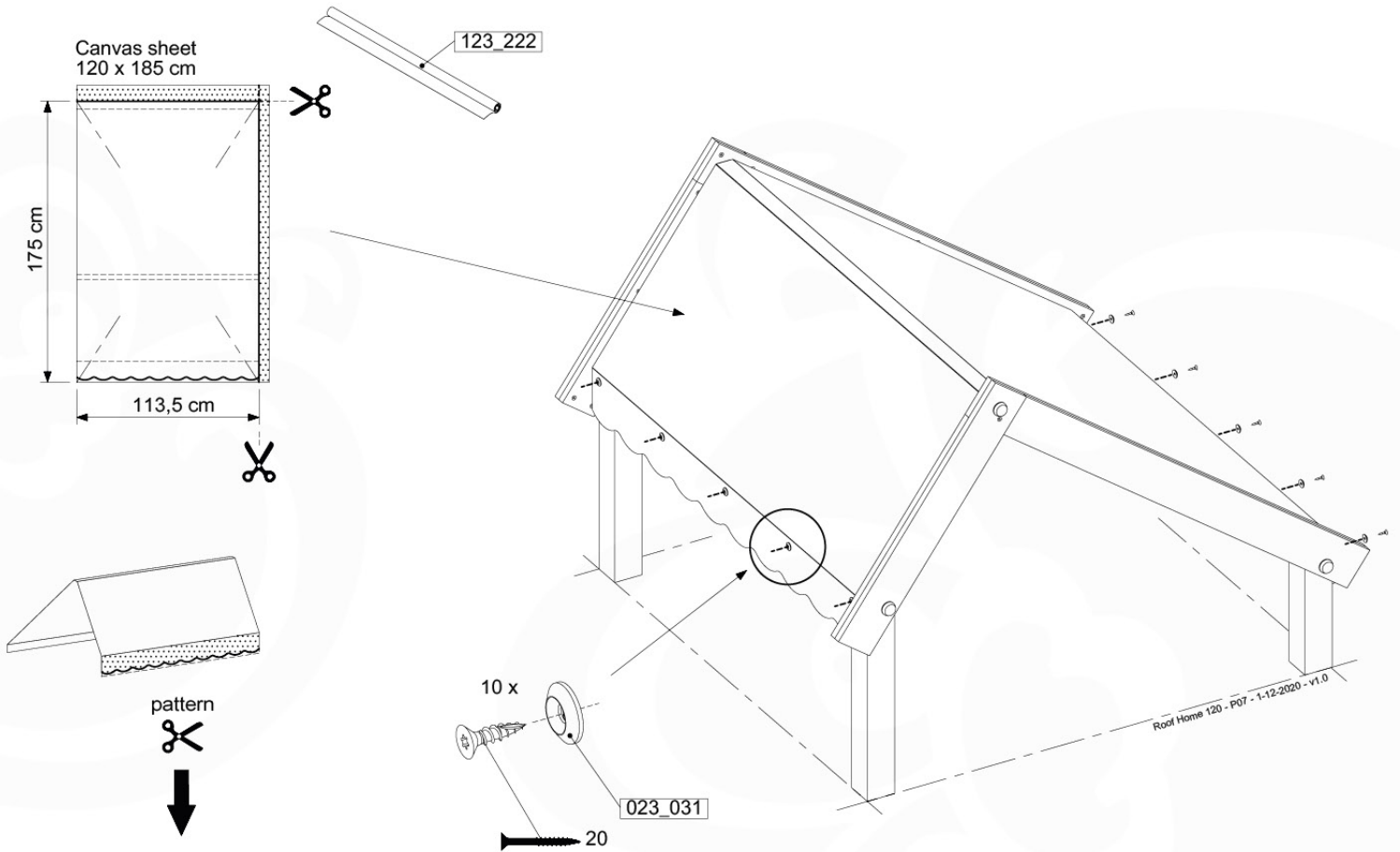
07-3



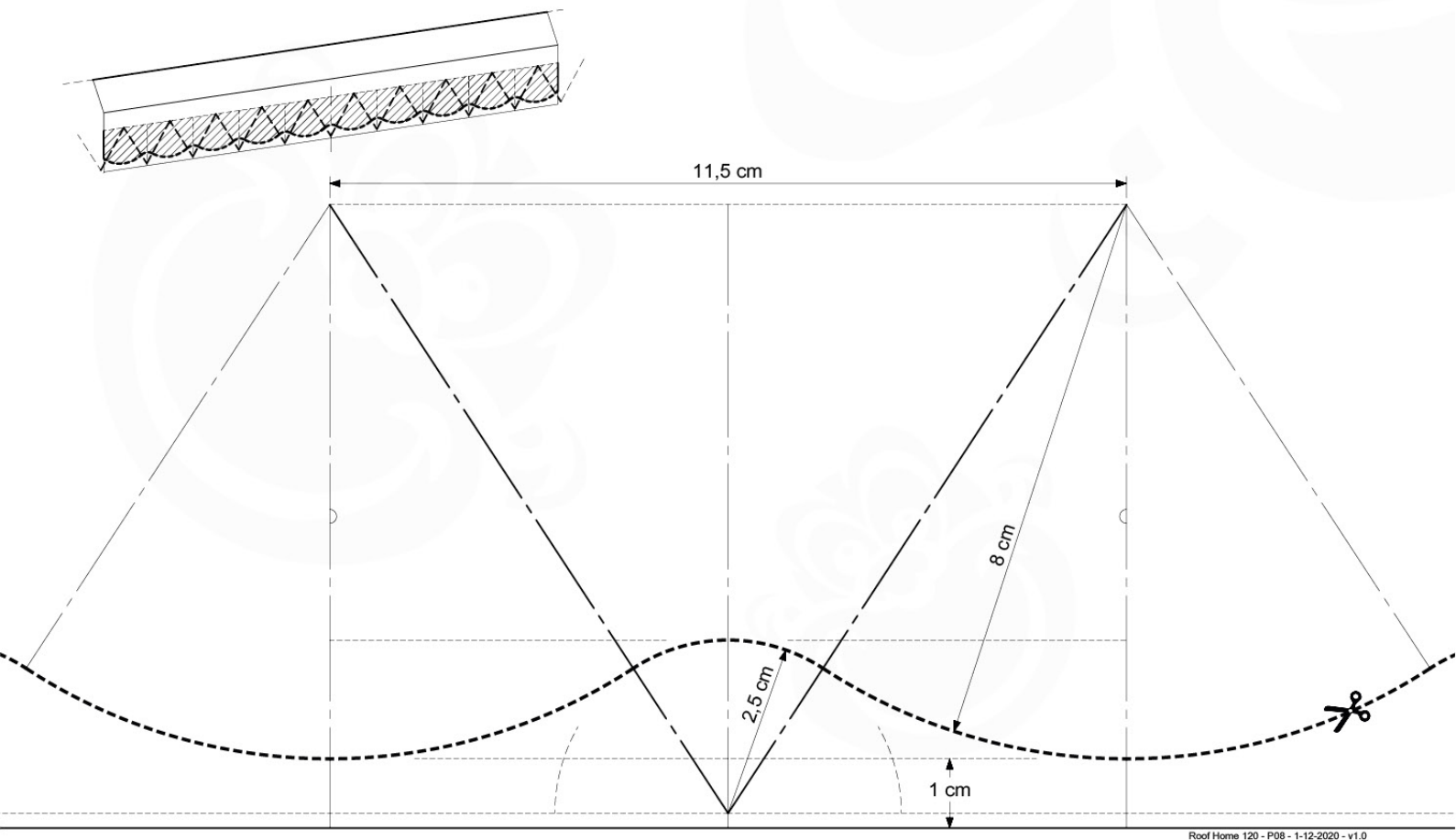
07-4



07-5



07-6

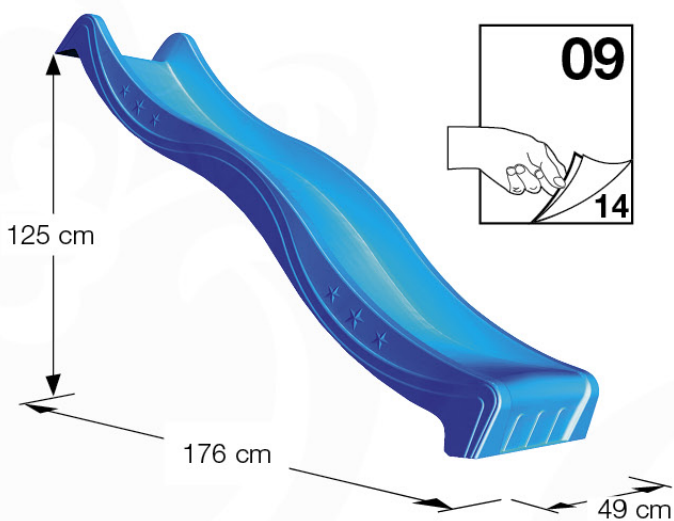


Roof Home 120 - P08 - 1-12-2020 - v1.0

08 Add-on

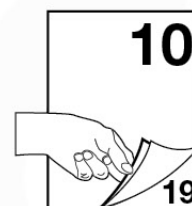
Wavy Star Slide XL

- 324_100 Yellow
- 324_200 Blue
- 324_300 Green
- 324_400 Red
- 324_500 Fuchsia
- 324_600 Dark Green



Fireman's Pole

201_275

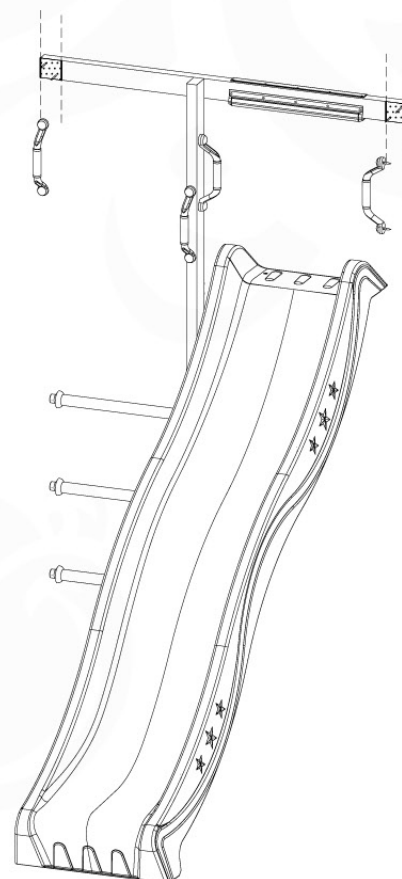


09 Slide & Ladder

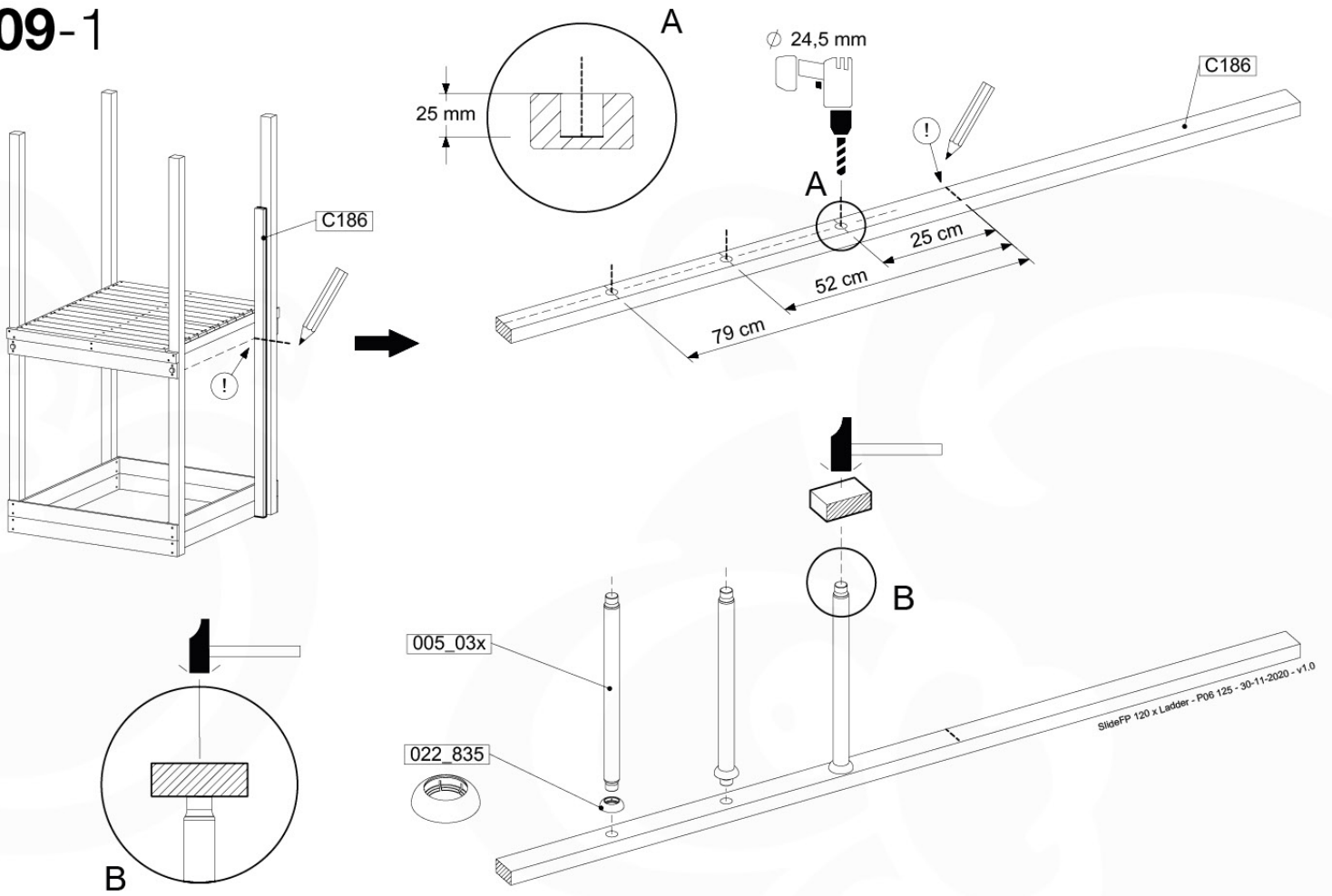
SL15

| | PartNo | PartName | QTY. |
|---------------|---------|----------------------------|------|
| Hardware Pack | 000_101 | Nail Pan Head | 10 |
| | 002_220 | Gap Point Screw T25 - 5x45 | 10 |
| | 002_223 | Gap Point Screw T25 - 5x80 | 8 |
| | 002_308 | Gap Point Screw T25 - 5x20 | 2 |
| Other | 005_03x | Ladder Rung Y/B/G/R | 3 |
| | 022_835 | Rung Cap | 6 |
| | 120_102 | Handgrip set (complete 2x) | 2 |
| | 123_200 | Bumperpad | 1 |
| | 324_xxx | Wavy Star Slide XL 2200 mm | 1 |
| Timber | C114 | Beam 1140 mm | 1 |
| | C186 | Beam 1860 mm | 1 |

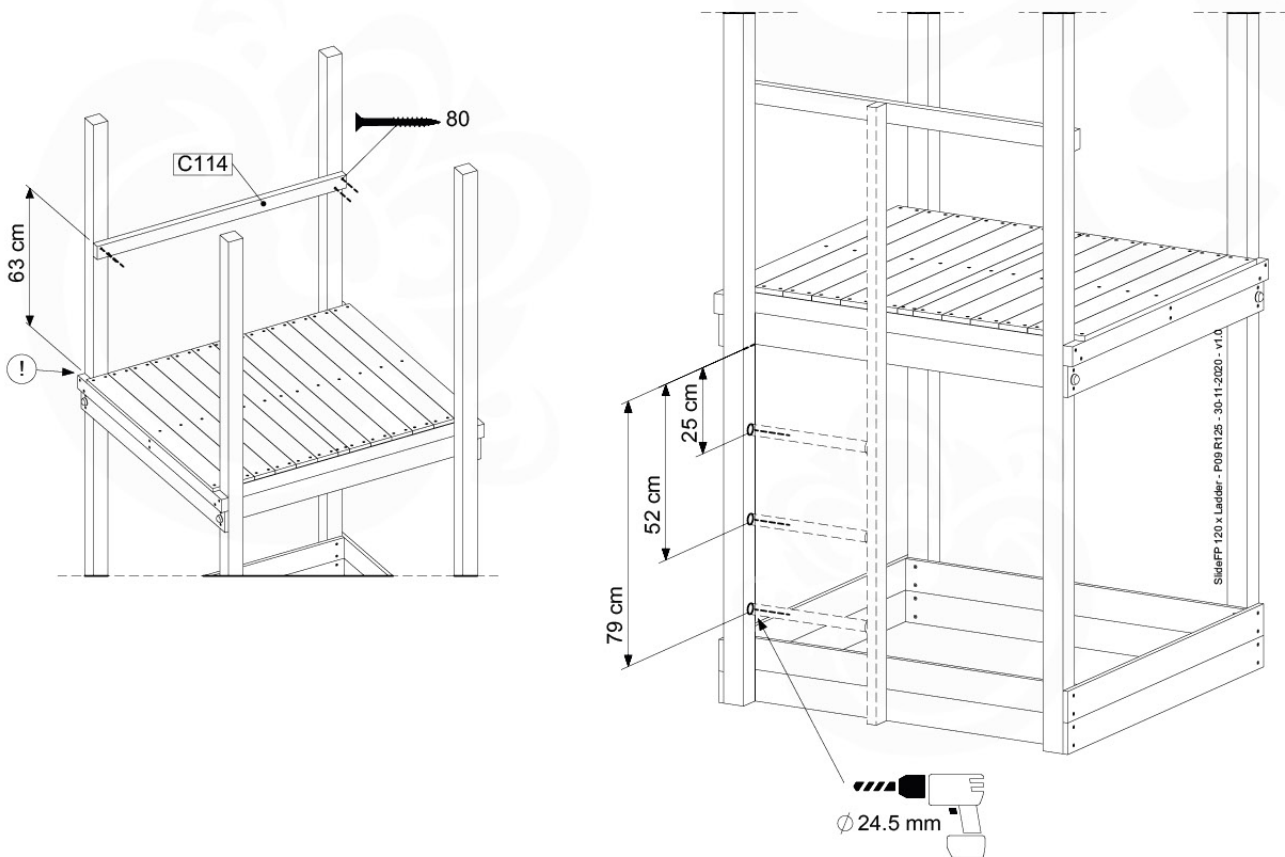
SlideFP-120 x Ladder - P13 R125 - 30-11-2020 - v1.0



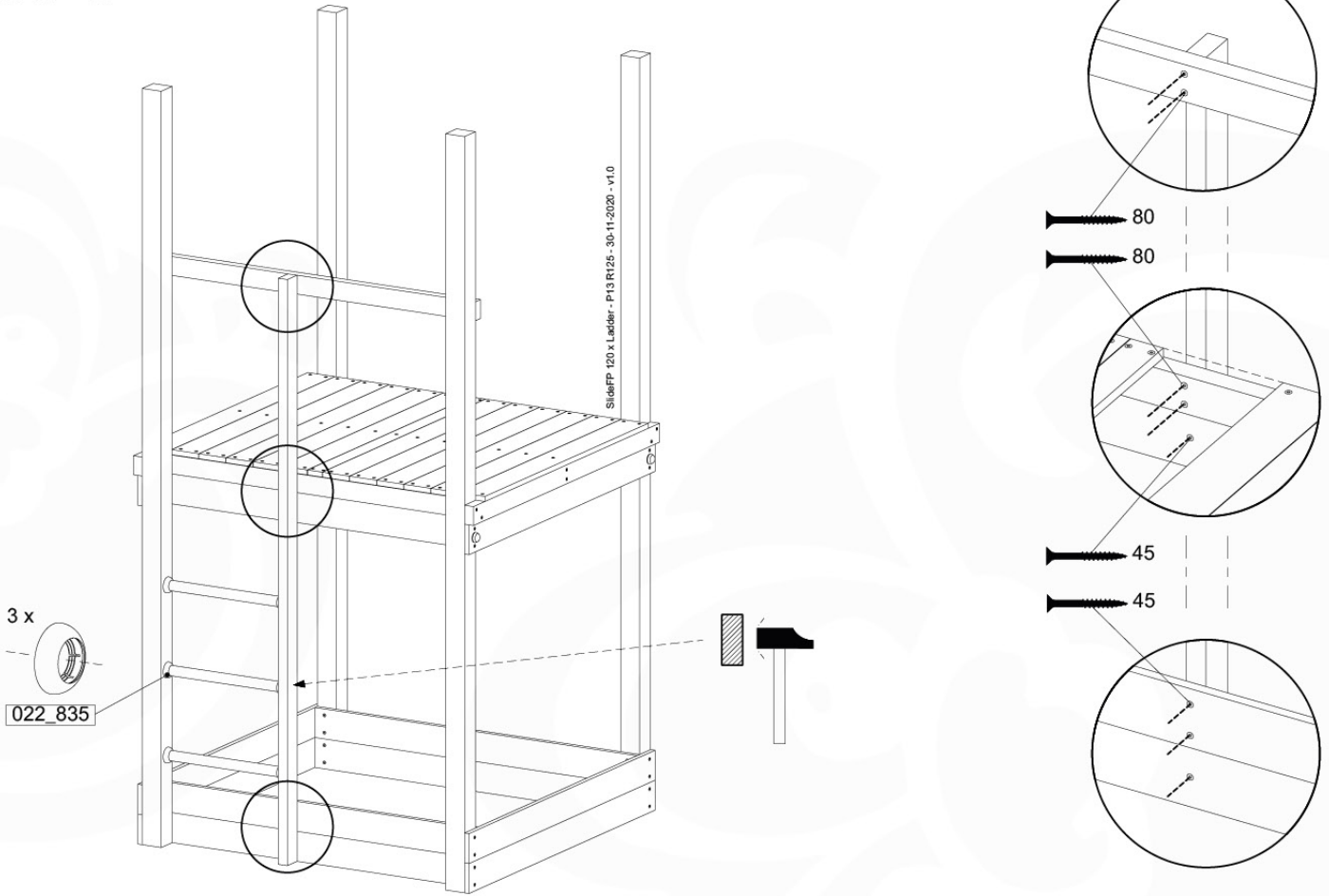
09-1



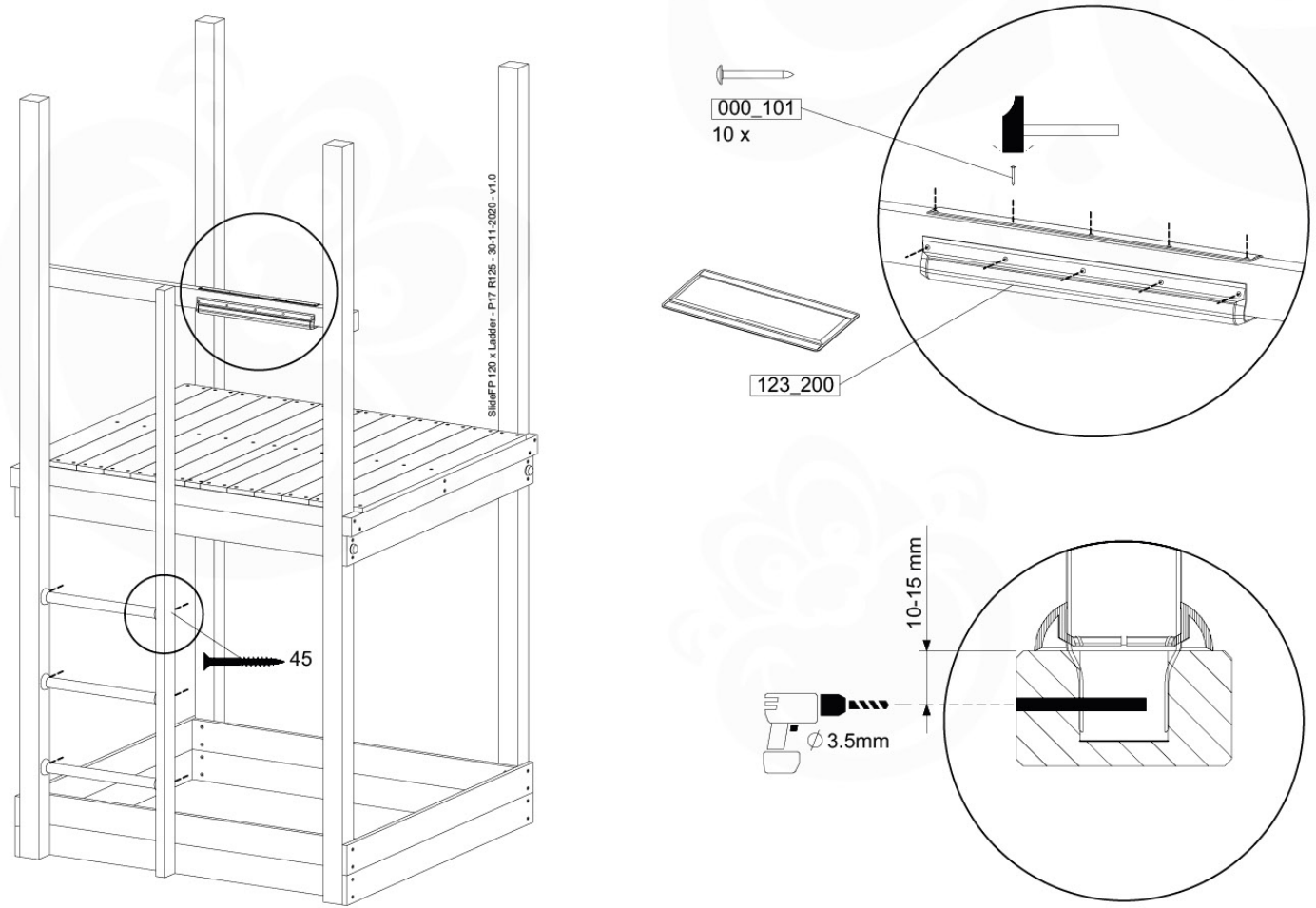
09-2



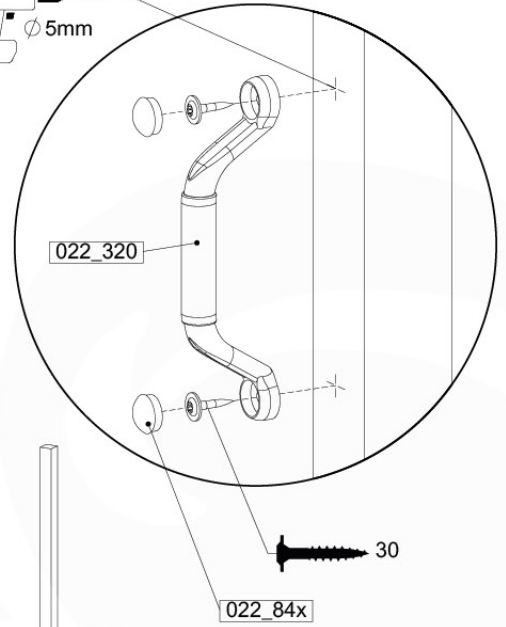
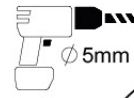
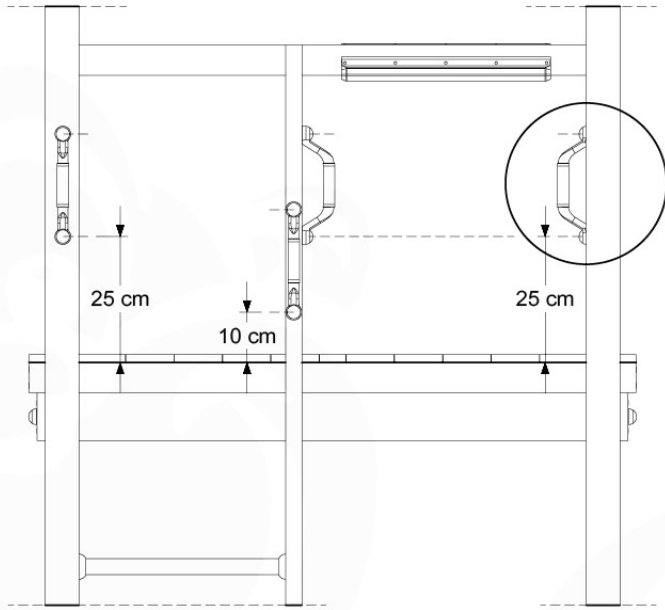
09-3



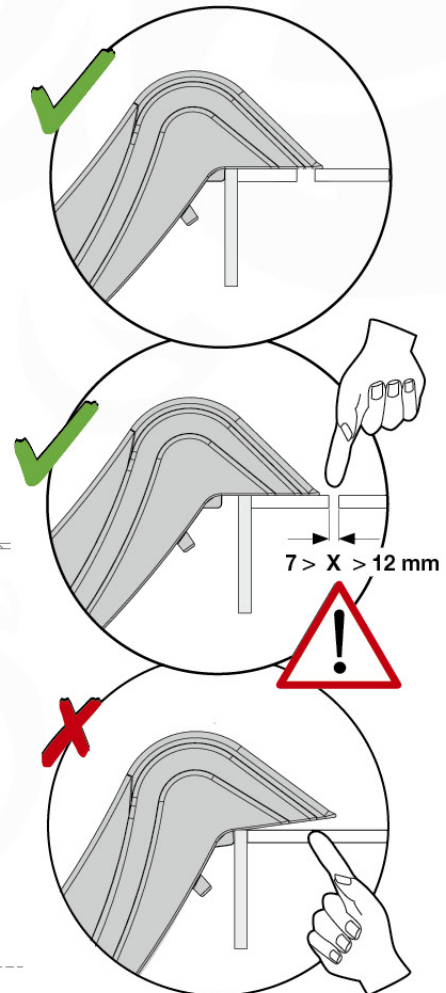
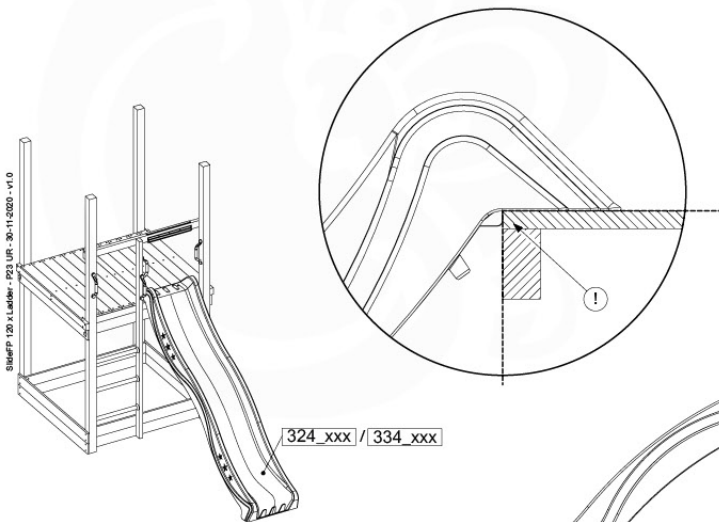
09-4



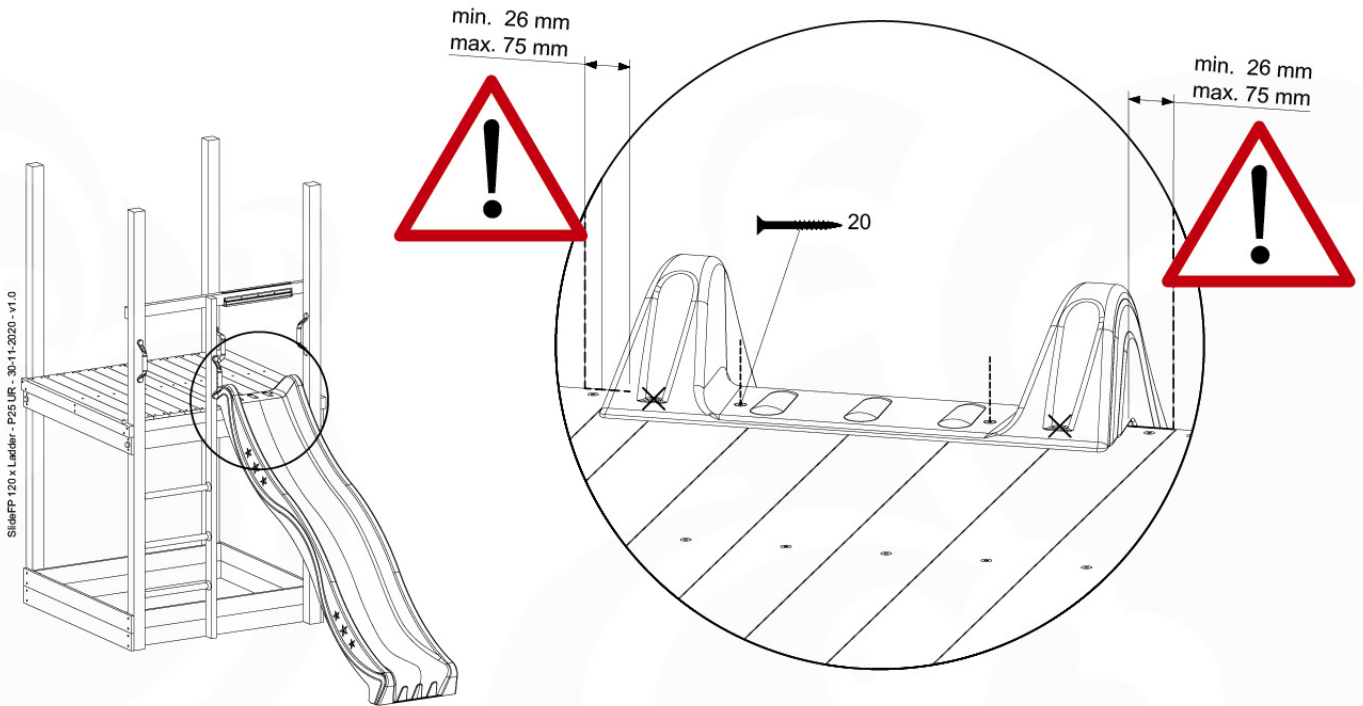
09-5



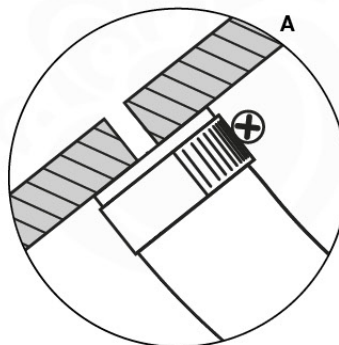
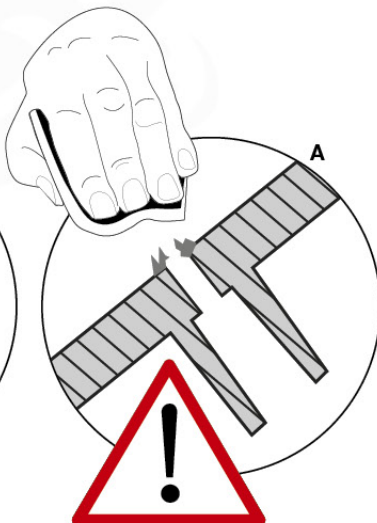
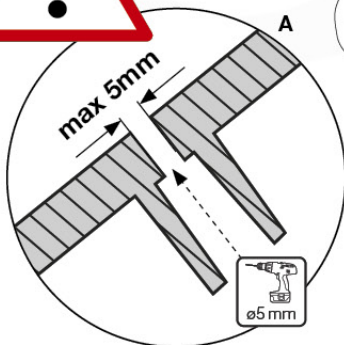
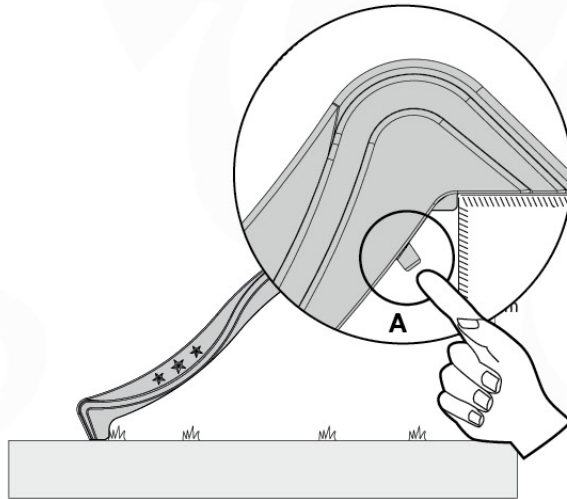
09-6



09-7



09-8

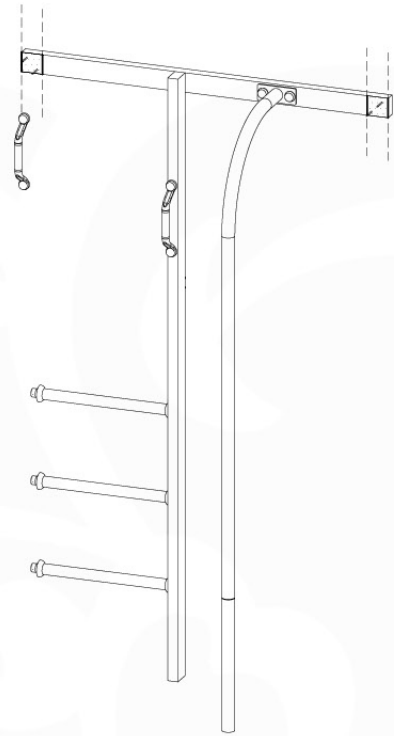


10 Firemans Pole & Ladder

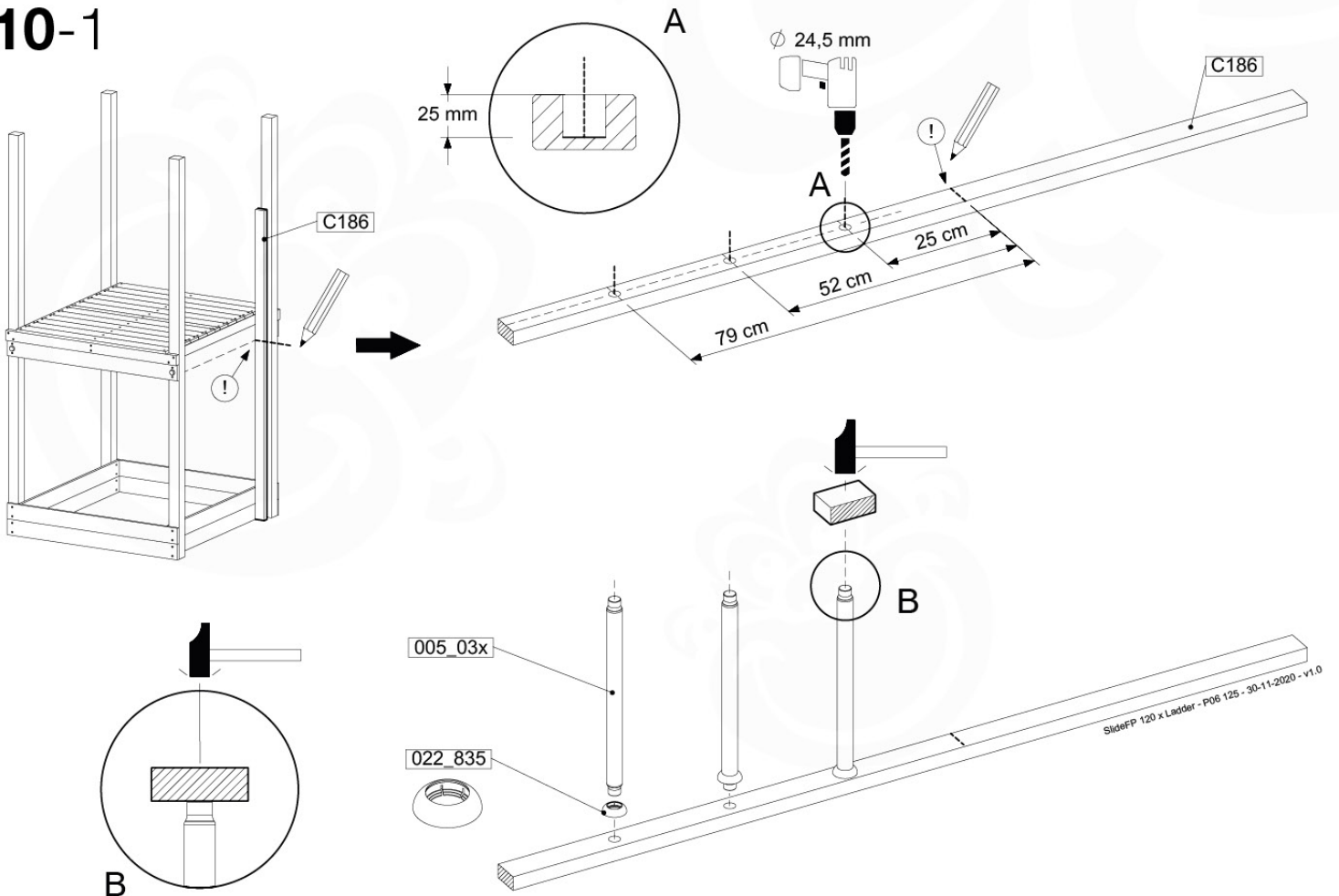
FP14

| | PartNo | PartName | QTY. |
|------------------|---------|----------------------------|------|
| Hardware Pack(s) | 001_103 | M8 Washer Head Screw 40mm | 2 |
| | 002_220 | Gap Point Screw T25 - 5x45 | 10 |
| | 002_223 | Gap Point Screw T25 - 5x80 | 8 |
| | 003_010 | M8 spring lock washer | 2 |
| | 003_040 | M8 Washer | 2 |
| | 004_052 | M8 Drive-in Nut 30mm | 2 |
| | 004_054 | M8 Drive-in Nut 45mm | 2 |
| Other | 005_03x | Ladder Rung Y/B/G/R | 3 |
| Hardware Pack(s) | 022_31x | bpc-base version 3 | 2 |
| | 022_84x | bpc cover | 2 |
| Other | 022_835 | Rung Cap | 6 |
| | 102_915 | Fireman's Pole | 1 |
| | 120_102 | Handgrip set (complete 2x) | 1 |
| Timber | C114 | Beam 1140 mm | 1 |
| | C186 | Beam 1860 mm | 1 |

SlideFP 120 x Ladder - P31 FFR125 - 30-11-2020 - v1.0

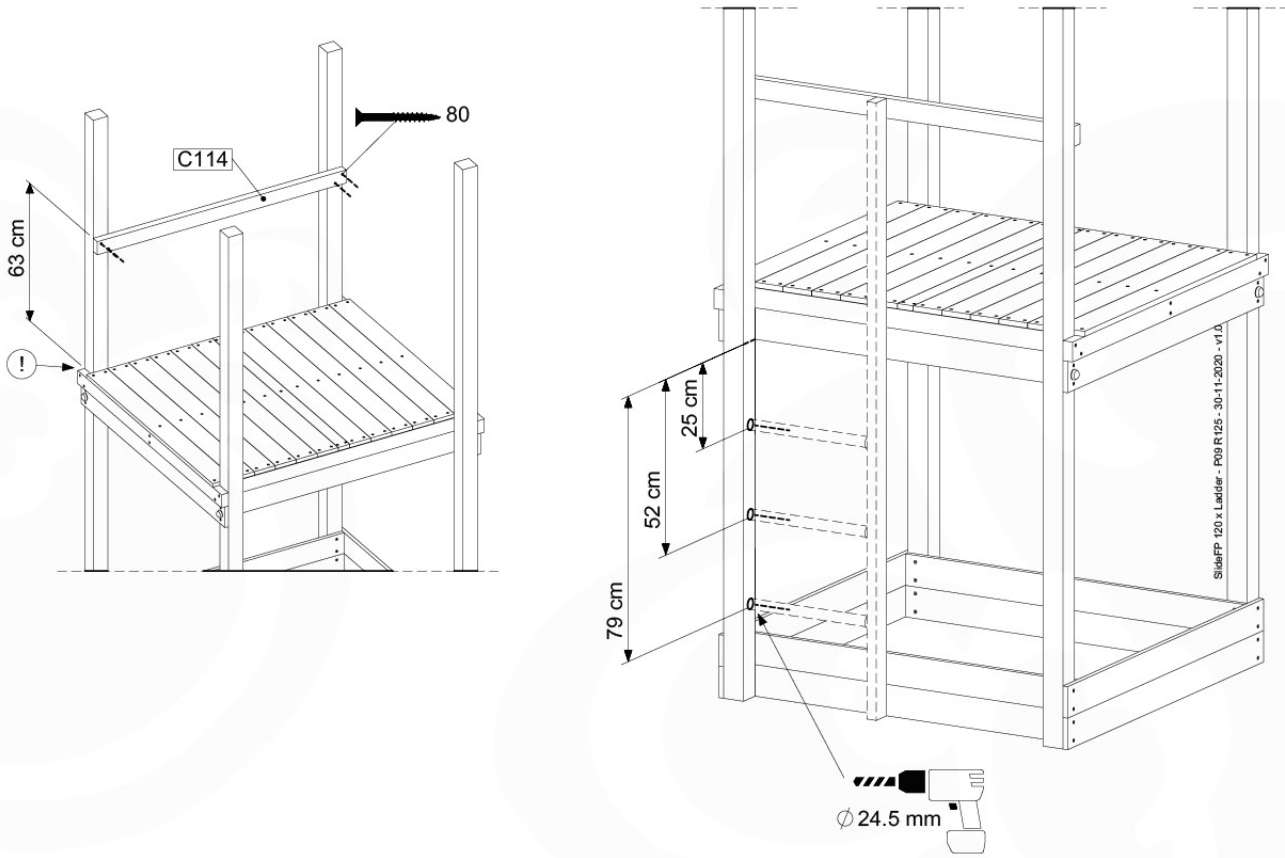


10-1

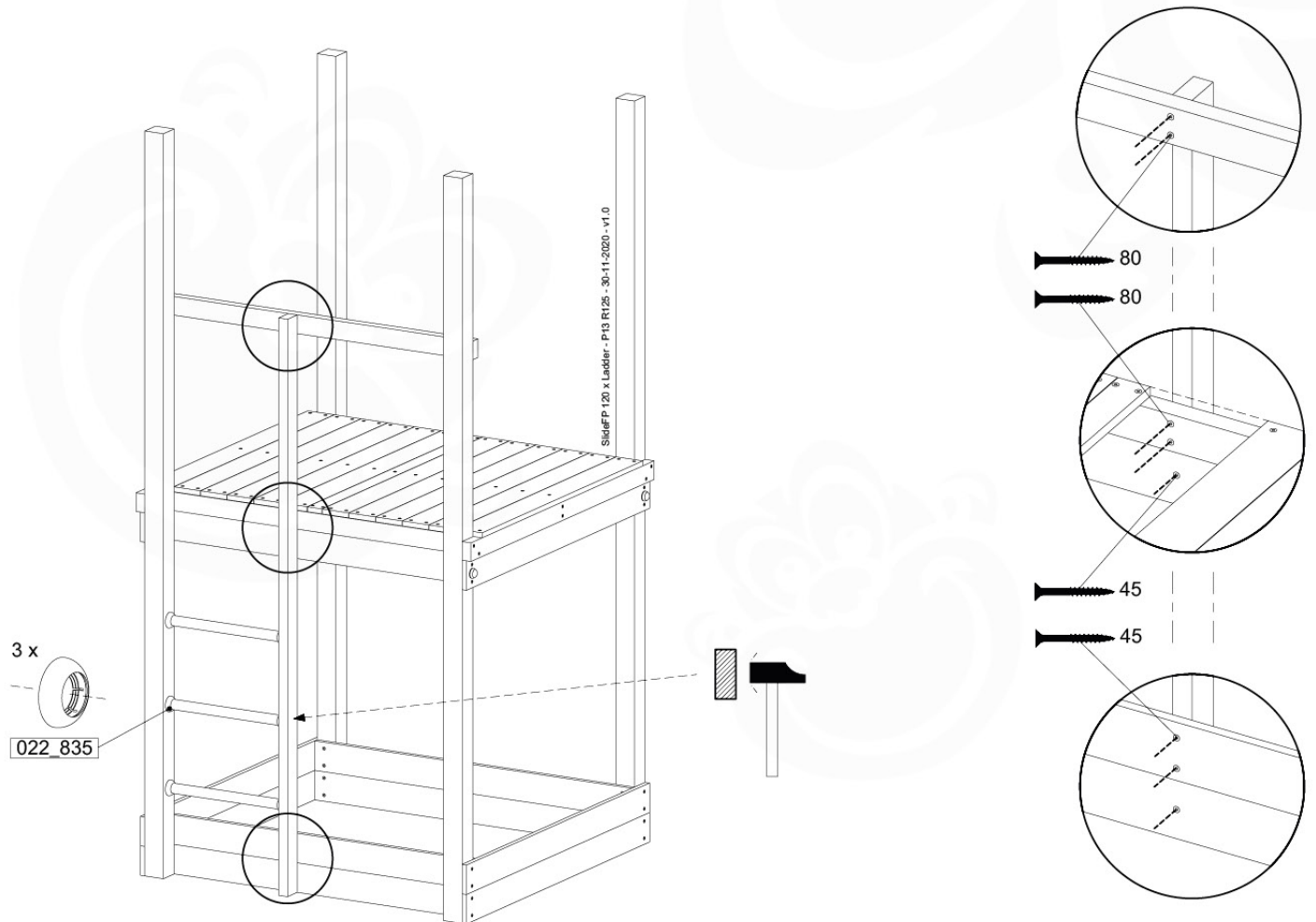


SlideFP 120 x Ladder - P06 125 - 30-11-2020 - v1.0

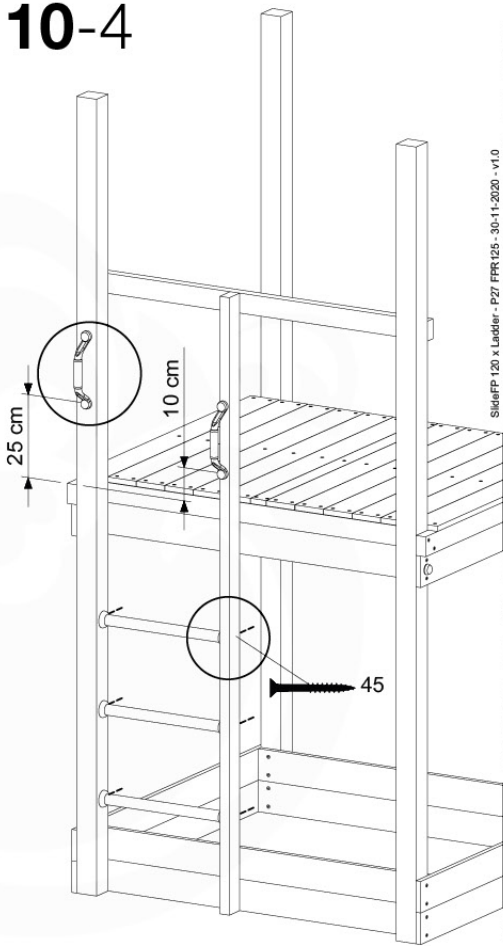
10-2



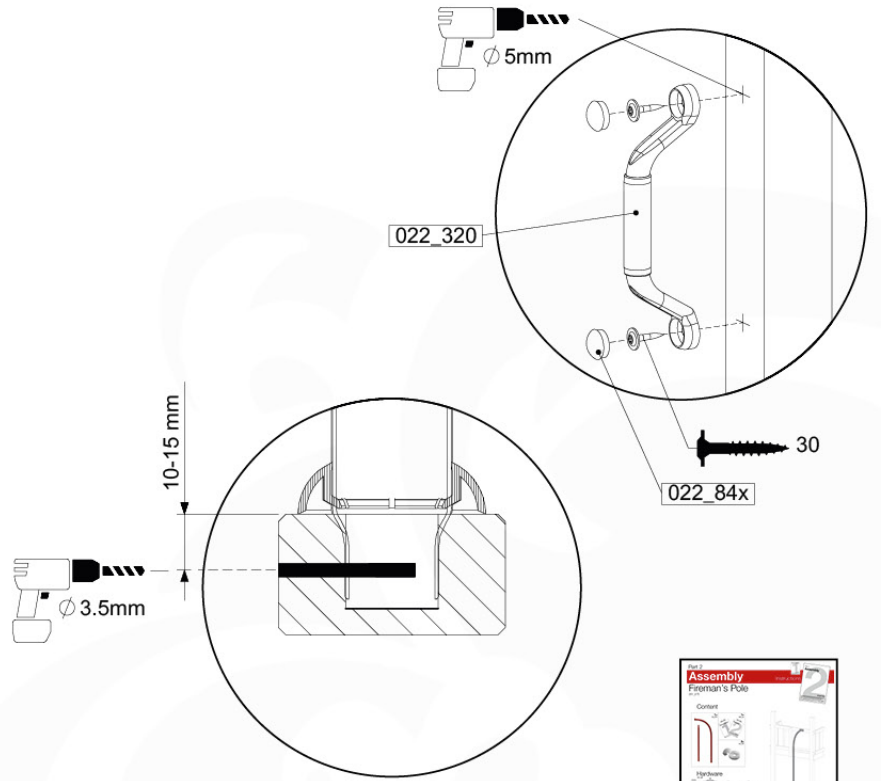
10-3



10-4



SlideFP 120 x Ladder - P27 FFR125 - 30-11-2020 - v1.0



➔ Fireman's Pole (201_275)
040_335 Part 2

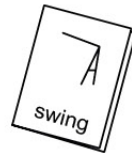
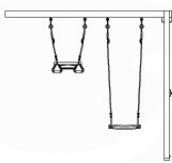
11 Swing Frame / Climb Frame



12



+

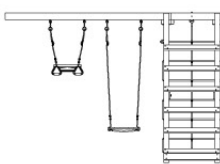


12

1-Swing frame / 2-Swing frame
457_101
457_102



+



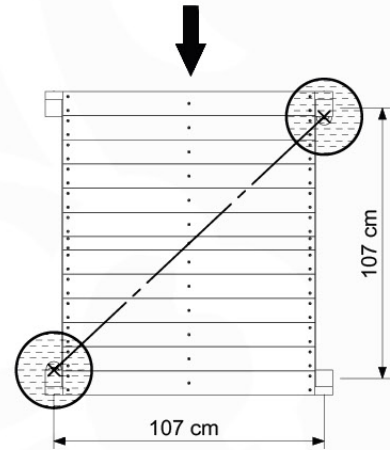
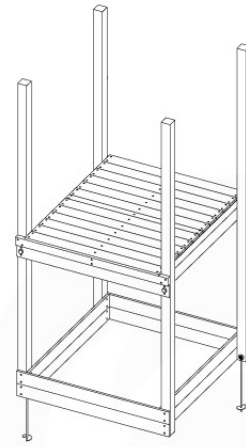
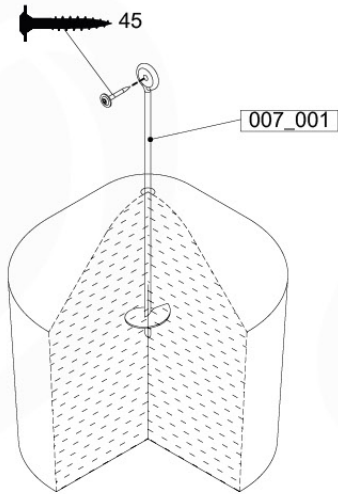
12

1-Climb frame / 2-Climb frame
457_105
457_106

12 Ground Anchors

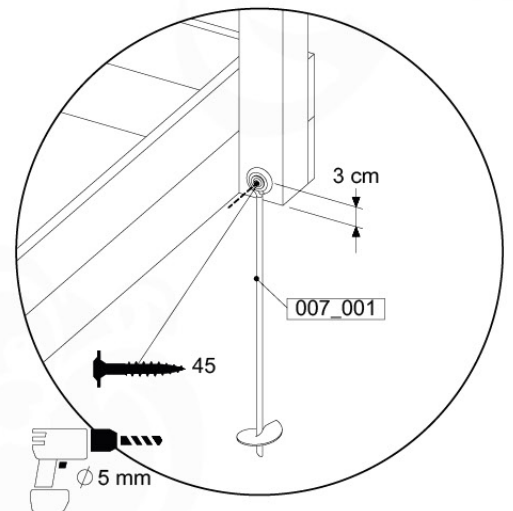
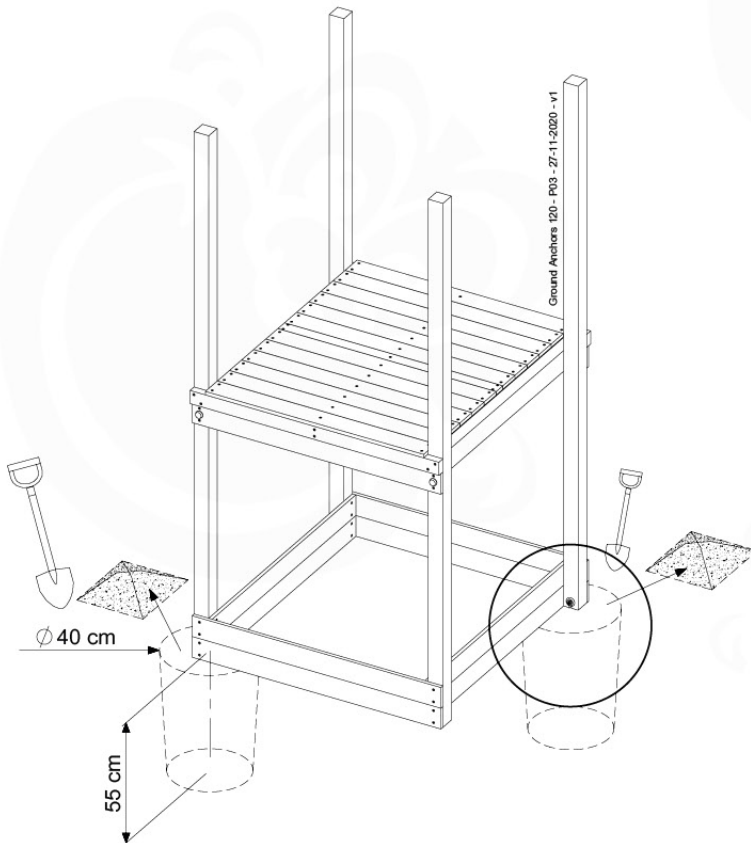
GA05

Parts:
Hardware Package Tower →

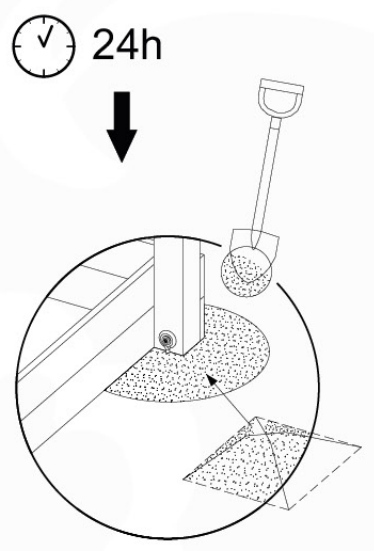
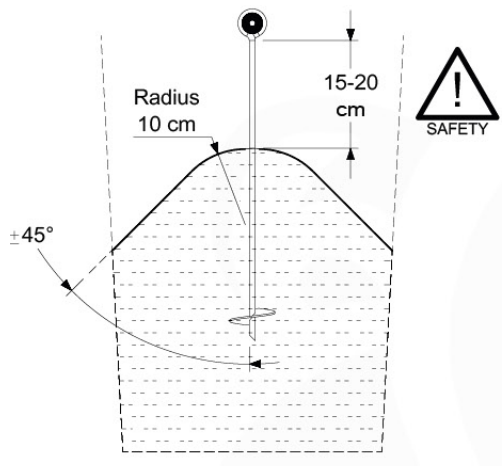
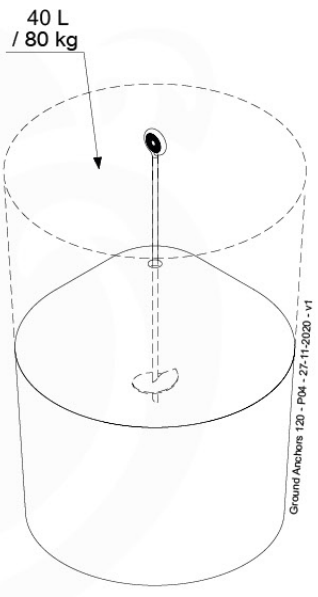


Ground Anchors 120 - P02 - 27-11-2020 - v1

12-1



12-2

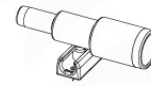


13 Accessories

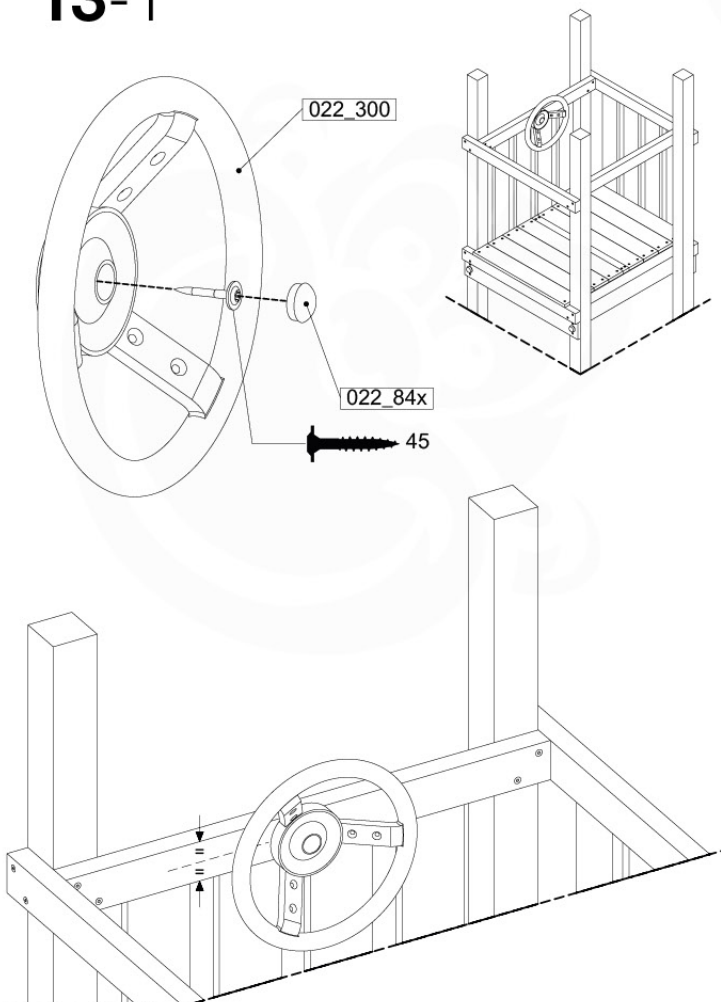
AC01

| | PartNo | PartName | QTY. |
|---------------|---------|-----------------------------|------|
| Hardware Pack | 001_406 | Stealth Screw 8x45 | 1 |
| | 002_041 | Dome head screw 4.5 x 20 mm | 3 |
| | 002_042 | Dome head screw 3.5 x 13mm | 4 |
| | 002_219 | Gap Point Screw T25 - 5x30 | 2 |
| | 022_84x | bpc cover | 1 |
| Other | 022_300 | Steering Wheel | 1 |
| | 022_800 | Rail P/T 105 | 1 |
| | 022_910 | Sandpad | 1 |
| | 103_901 | Logo ID Plate | 1 |
| | 104_107 | Tool Set Climbing Units | 1 |
| | 120_024 | Tower Flag | 1 |
| | 122_302 | Telescope | 1 |

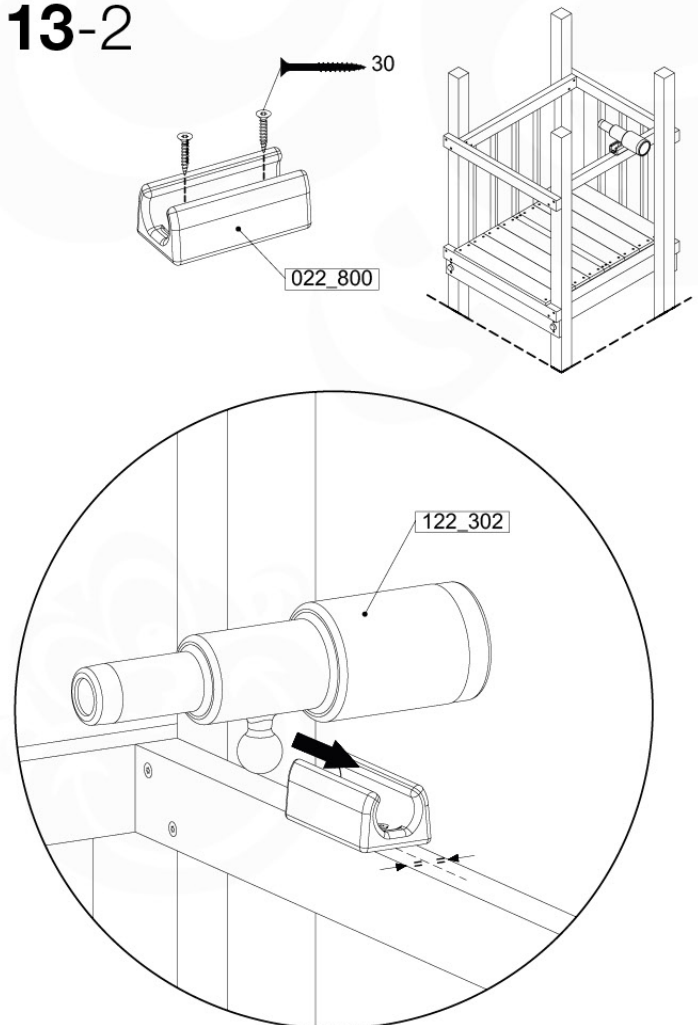
Accessory ref. - P02 - 18-11-2020 - v3



13-1

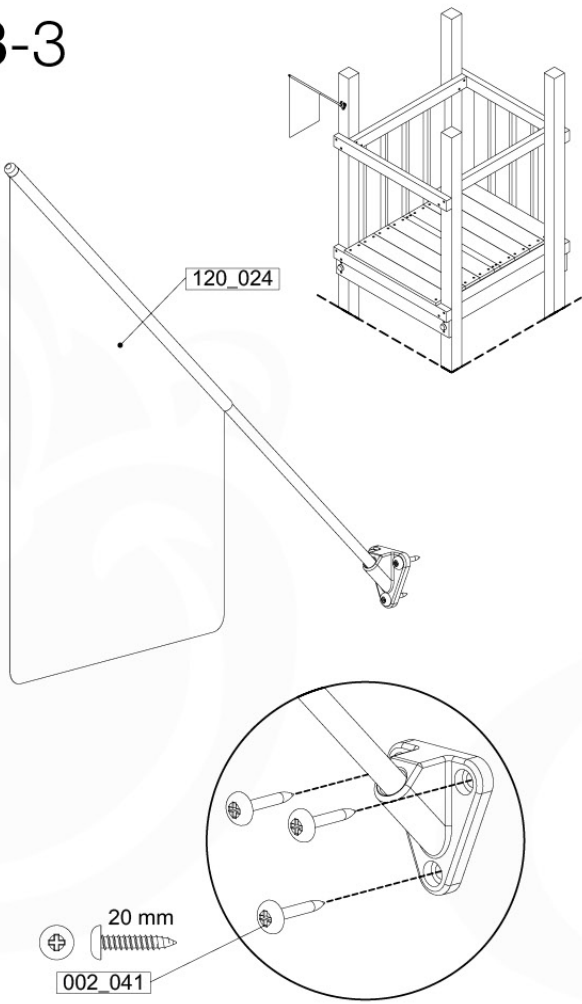


13-2

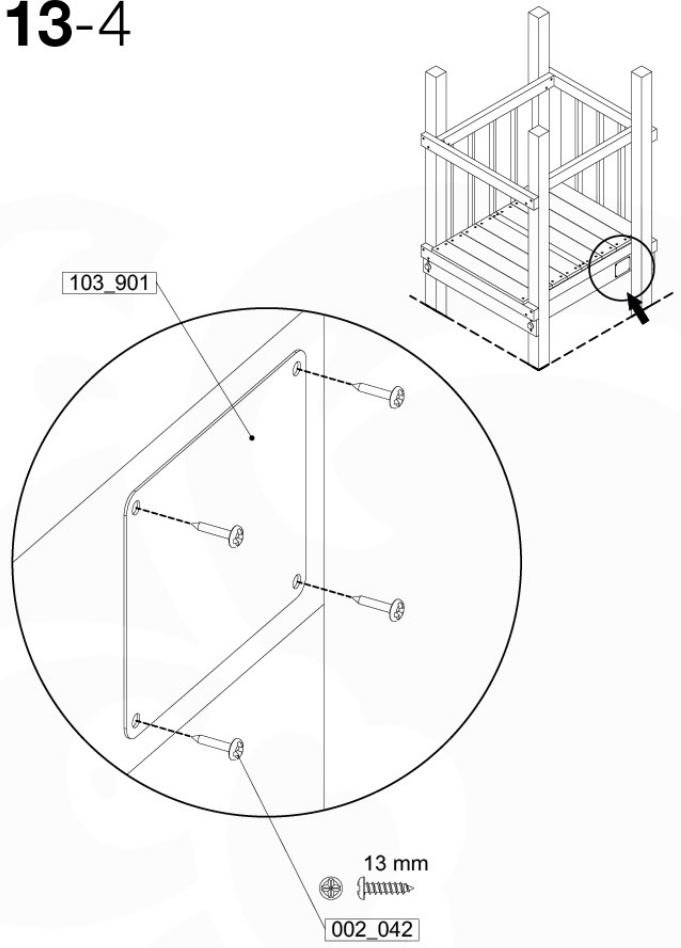


Accessory ref. - P03 - 18-11-2020 - v3

13-3



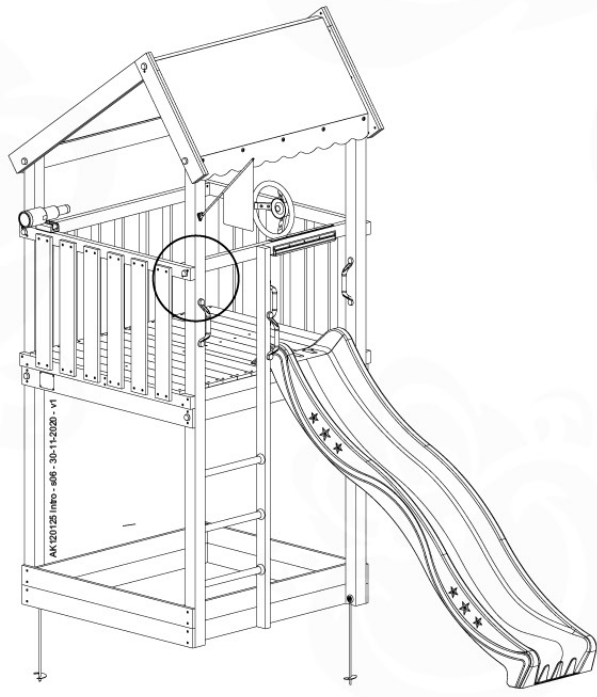
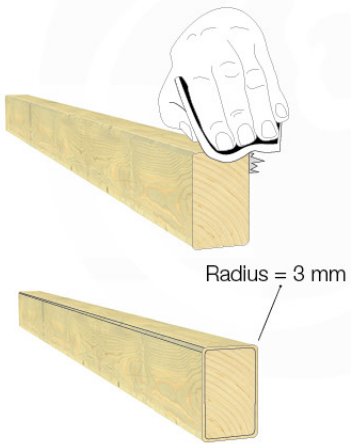
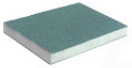
13-4

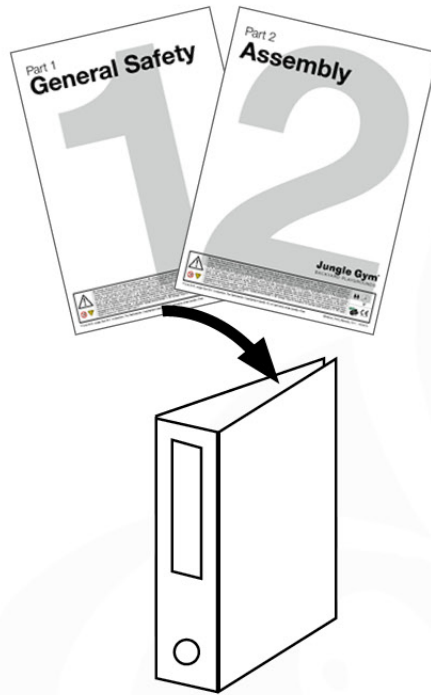


Accessory set - P04 - 18-11-2020 - v3

13-5

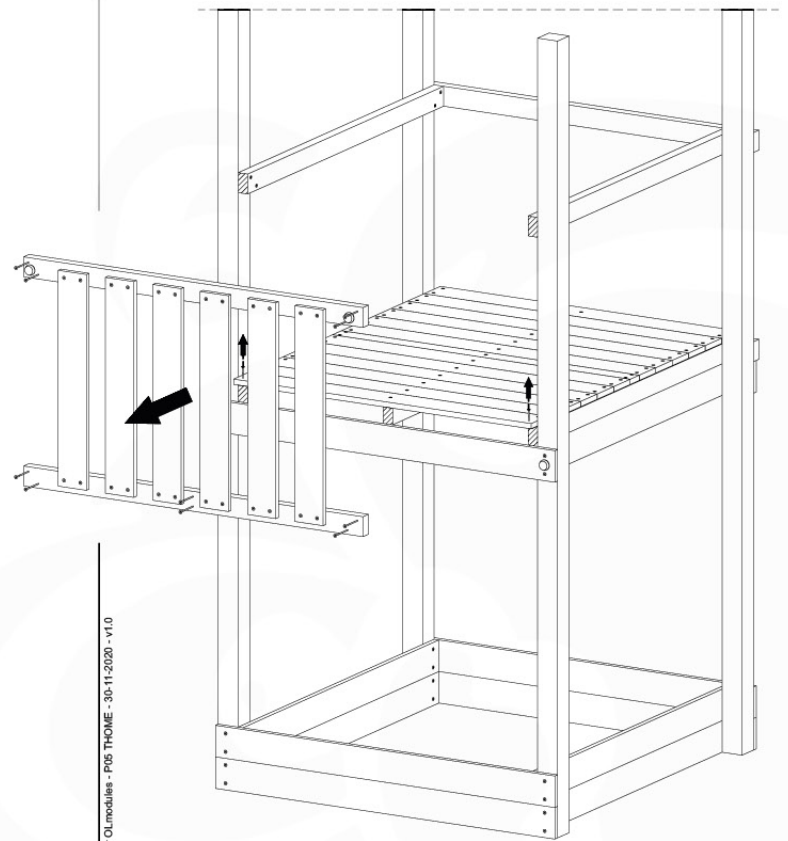
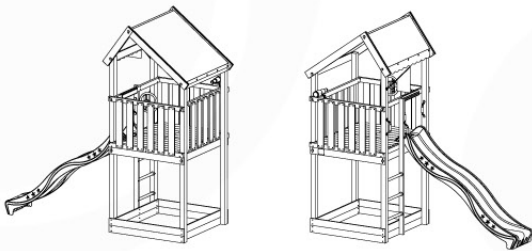
1x
022_910





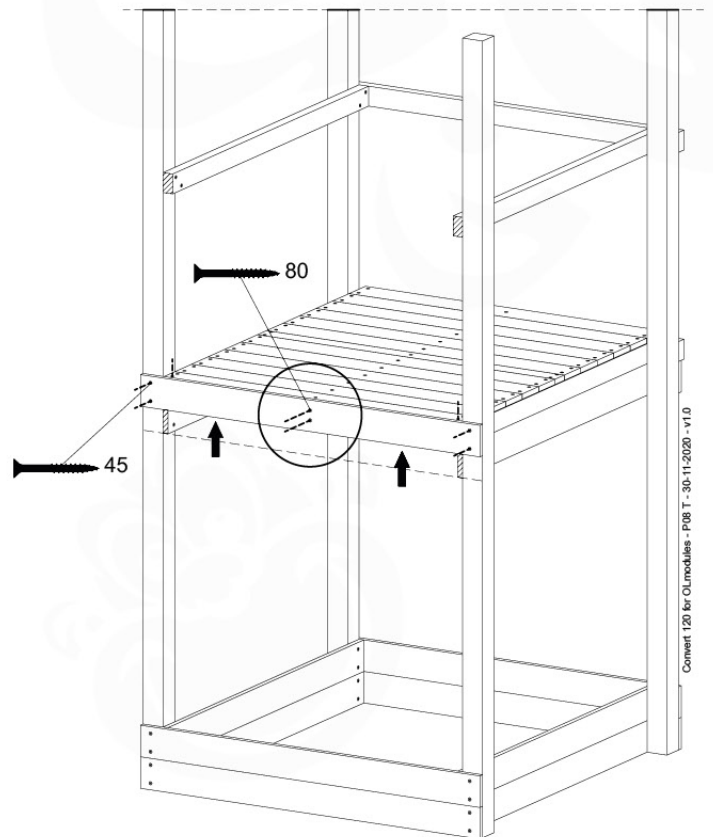
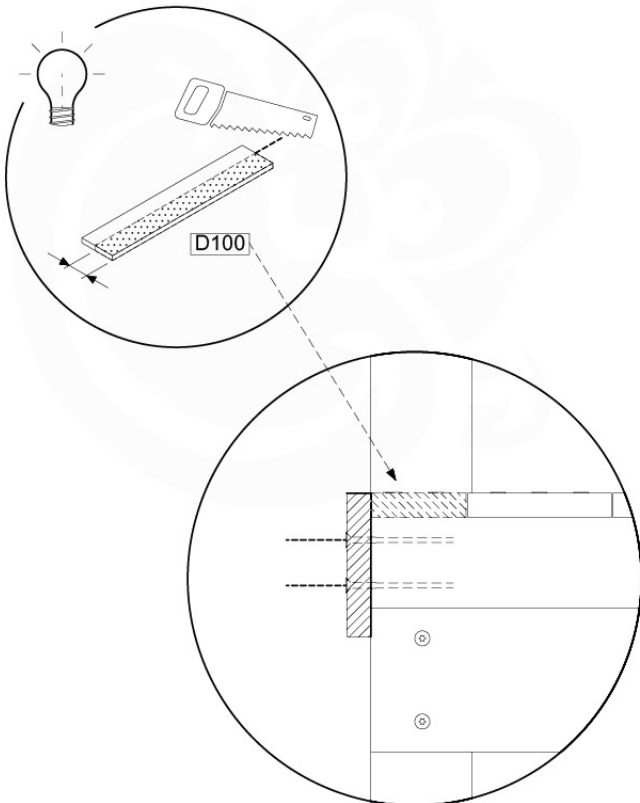
15 Tower preparation for Modules/ links

- 450_240 / 850_240 Bridge Module
- 450_255 / 850_255 Balcony Module
- 450_410 / 850_410 Boat Module
- 450_415 / 850_415 Train Module
- 470_100 / 870_100 Bridge Link
- 470_105 / 870_105 Net Link































Convert 120 for OLmodules - P05 THOME - 30-11-2020 - v1.0

15-1












Convert 120 for OLmodules - P08 T - 30-11-2020 - v1.0

Playtowers

| | | | | | | | | | |
|--|---|--|--|---|---|--|--|---|--|
|  Jungle Tower 801_200 |  Jungle Patio 802_202 |  Jungle Cocoon 802_204 |  Jungle Cirque 802_206 |  Jungle Totem 802_208 |  Jungle Nomad 803_202 |  Jungle Safari 803_204 |  Jungle Viking 803_206 |  Jungle Teepee 803_208 |  Jungle Resort 803_210 |
|  Jungle Castle 801_120 |  Jungle Club 801_110 |  Jungle Casa 801_105 |  Jungle Home 801_103 |  Jungle Hut 801_100 |  Jungle House 801_095 |  Jungle Cottage 801_090 |  Jungle Cubby 801_070 |  Jungle Shelter 801_065 |  Jungle Cabin 801_060 |
|  Jungle Lodge 801_040 |  Jungle Villa 801_020 |  Jungle Chalet 801_013 |  Jungle Fort 801_010 |  Jungle Mansion 801_009 |  Jungle Farm 801_008 |  Jungle Barn 801_007 |  Jungle Palace 801_005 | | |



Playhouses

| | | | | |
|---|---|---|---|---|
|  | + |  | = |  |
| Crazy Playhouse 830_140 | | Playhouse Frame CXL 830_251 | | Crazy Playhouse CXL 835_251 |
|  | + |  | = |  |
| Jungle Playhouse 830_150 | | Playhouse Frame L 830_252 | | Jungle Playhouse L 835_252 |
|  | + |  | = |  |
| Playhouse Frame XL 830_253 | | Jungle Playhouse XL 835_253 | | Jungle Playhouse XL 835_253 |


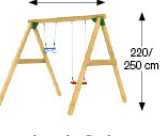
Modules

| | | | | |
|--|---|---|---|---|
|  1-2-Swing Module 850_177 |  Climb Module 850_230 |  Bridge Module 850_240 |  Playhouse Module 850_246 (247) |  Balcony Module 850_255 |
|  Mini Market Module 850_261 |  Mini Picnic Module 850_262(263) |  Boat Module 850_410 |  Train Module 850_415 | |



Links

| |
|--|
|  Bridge Link 870_100 |
|  Net Link 870_105 |



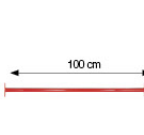

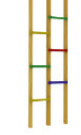
Swings

| | |
|--|---|
|  Jungle Peak 801_300 |  Jungle Swing 801_601/602 |
|--|---|

Frames

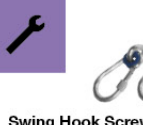


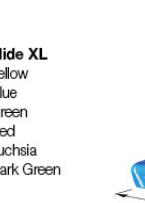
| | |
|--|--|
|  1-2-Swing Frame 857_101/102 |  1-2-Climb Frame 857_105/106 |
|--|--|

Accessories

| | | | | |
|---|---|---|--|--|
|  Climbing Rope 201_060 |  Fireman's Pole 201_275 |  Gymnastics bar 201_273 |  Rock Wall 450_200 |  1 Step Ladder 450_300 |
|---|---|---|--|--|

| | | | | |
|---|--|--|---|---|
|  Sling Swing Kit Yellow 250_001 |  Monkey Bar Kit Blue 250_013 |  Baby Swing Kit Red 250_025 |  Swing Seat Kit Red 250_034 |  Twist Disk Kit Green 250_053 |
|---|--|--|---|---|

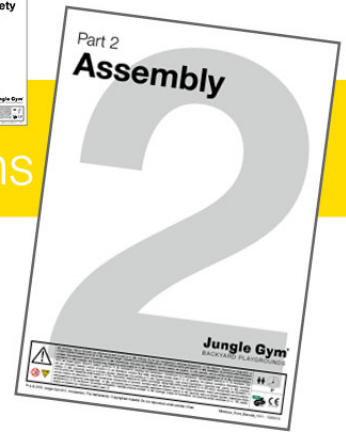
| | | |
|---|--|---|
|  Steering Wheel Yellow 201_280 |  Fun Phone 201_285 |  StarScope™ 201_290 |
|  PeekOscope™ 201_295 |  Tic Tac Toe 450_310 |  Bucket 450_320 |
|  Talking Tube™ 450_330 | | |

| | | | |
|---|---|--|---|
|  Swing Hook Screw 2x 201_115 |  Cat Stop™ 201_220 |  Handgrips 201_250 Yellow 201_260 Blue 201_270 Green |  Ground Anchors 250_070 |
|  Wavy Star Slide XL 324_100 Yellow 324_200 Blue 324_300 Green 324_400 Red 324_500 Fuchsia 324_600 Dark Green |  Wavy Star Slide XXL 334_100 Yellow 334_200 Blue 334_300 Green 334_400 Red 334_500 Fuchsia 334_600 Dark Green | | |

Part 2

Assembly

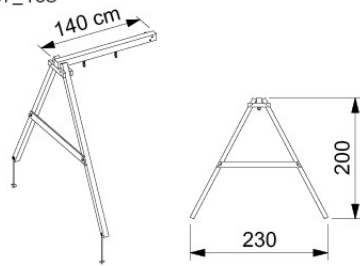
Instructions



Swing Frames & Modules

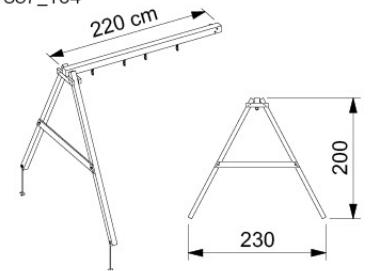
1-Swing Frame 200

857_103



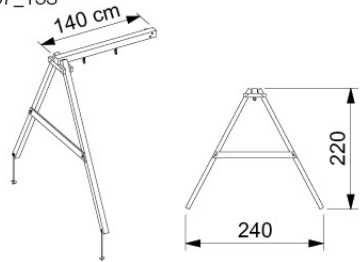
2-Swing Frame 200

857_104



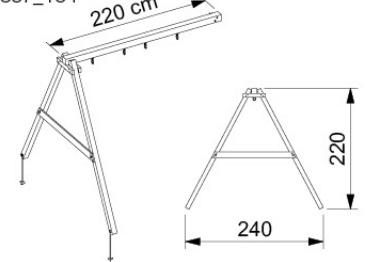
1-Swing Frame 220

857_153



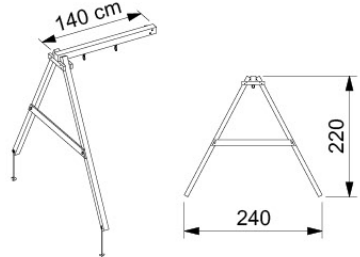
2-Swing Frame 220

857_154



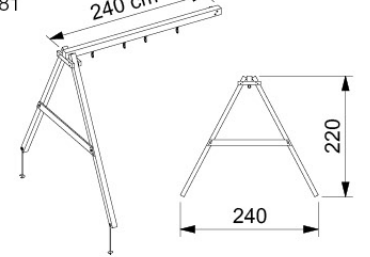
1-Swing Module

850_180



2-Swing Module

850_181



EN 71-1,-2,-3,-8&-9

1h

Jungle Gym

BACKYARD PLAYGROUNDS

since 1988

| | 1 position | 2 positions | | 1 position | 2 positions |
|--|------------|-------------|--|------------|-------------|
| EN. Warnings. Only for domestic use. Maximum number of users is: | 1 | 2 | LT. Įspėjimai. Tik butiniam naudojimui. Maksimalus naudotojų skaičius : | 1 | 2 |
| DE. Achtung. Nur für den Hausgebrauch. Maximale Benutzerzahl: | 1 | 2 | HR. Upozorenja. Samo za kućansku uporabu. Maksimalan broj korisnika je : | 1 | 2 |
| FR. Attention. Réservé à un usage familial. Le nombre maximal d'utilisateurs est de : | 1 | 2 | HU. Figyelmeztetések. Csak otthoni használatra! A használók max. száma: : | 1 | 2 |
| NL. Waarschuwingen. Uitsluitend voor huishoudelijk gebruik. Het maximale aantal gebruikers is: | 1 | 2 | NO. Advarsel. Kun for privat bruk. Maksimalt antall brukere er : | 1 | 2 |
| BG. Внимание. За употреба само в домашни условия. Максималният брой потребители е: | 1 | 2 | PL. Ostrzeżenia. Wyłącznie do użytku domowego. Maksymalna liczba użytkowników to : | 1 | 2 |
| ES. Advertencias. Sólo para uso doméstico. Número máximo de usuarios: | 1 | 2 | PT. Avisos. Apenas para uso doméstico. O número máximo de utilizadores é : | 1 | 2 |
| CS. Varování. Jen pro domácí použití. Maximální počet uživatelů je : | 1 | 2 | RO. Avertismente. Numai pentru uz domestic. Numărul maxim de utilizatori este : | 1 | 2 |
| DA. Advarsel. Kun til privat brug. Maksimum antal brugere er : | 1 | 2 | RU. Предостережения. Только для домашнего использования. | 1 | 2 |
| ET. Hoiatused. Ainult koduseks kasutamiseks. Maksimaalne kasutajate arv on : | 1 | 2 | Максимальное количество пользователей : | 1 | 2 |
| EL. Προειδοποιήσεις. Μόνο για οικιακή χρήση. Μέγιστος αριθμός χρηστών : | 1 | 2 | SK. Upozornenia. Iba na domáce použitie. Maximálne množstvo osôb je : | 1 | 2 |
| IS. Varnaðarorð. Eingöngu fyrir einkanoðkun í heimahúsum og á einkalóðum. Hámarksfjöldi notenda er : | 1 | 2 | SL. Opozorila. Samo za domačo uporabo. Maksimalno število uporabnikov je : | 1 | 2 |
| IT. Avvertenze. Solo per uso domestico. Massimo numero di utenti è : | 1 | 2 | FI. Varoitukset. Ainoastaan kotikäyttöön. Käyttäjää yhteensä enintään : | 1 | 2 |
| LV. Brīdinājumi. Izmantot tikai mājās. Maksimālais lietotāju skaits ir : | 1 | 2 | SR. Upozorenja. Samo za kućnu uporabu. Maksimalan broj korisnika je : | 1 | 2 |
| | | | SV. Varningar. Endast för hemmabruk. Det maximala antalet användare är : | 1 | 2 |
| | | | TR. Uyarılar. Sadece ev kullanımı için. Maksimum kullanıcı sayısı : | | |

01 What's in the Delivery?

457_102

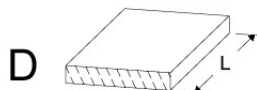
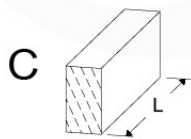
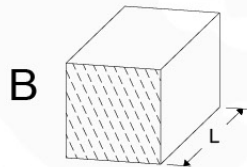
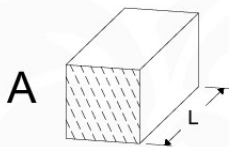
| | | | | |
|---|------------------------------------|-------------------------------------|-----------------------|---|
| <p>1x 040_805</p> <p>1x 040_170</p> | <p>1x 005_528</p> <p>Frame</p> | <p>1x 005_529</p> <p>Module</p> | <p>1x 100_160</p> | <p>1x 104_403</p> <p>008_034 ø7,5mm</p> |
| <p>2x 007_001</p> | <p>4x 101_003</p> | | | |

02 Timber

Frames

Modules


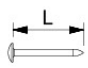

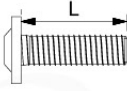
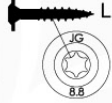
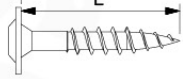

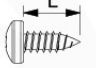

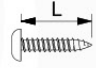

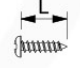

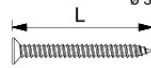
Jungle Swing Frame | Swing Module

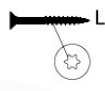
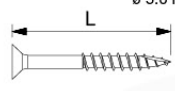


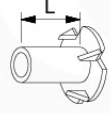






| | | L | | | | 657_101 1-Swing Frame 200 | 657_102 2-Swing Frame 200 | 657_151 1-Swing Frame 220 | 657_152 2-Swing Frame 220 | 650_178 1-Swing Module | 650_179 2-Swing Module |
|----------------------|---|-----|-----|-----|-----|---------------------------------|---------------------------------|---------------------------------|---------------------------------|------------------------------|------------------------------|
| A240 A220 | 239cm - 240cm 219cm - 220cm | 2 x | 2 x | 2 x | 2 x | | | | | | |
| B240 B220 B140 | 239cm - 240cm 219cm - 220cm 139cm - 140cm | 1 x | 1 x | 1 x | 1 x | 2 x | 3 x | | | | |
| C37 | 36cm - 37cm | 2 x | 2 x | 2 x | 2 x | 2 x | 2 x | | | | |
| D180 D141 | 179cm - 180cm 140cm - 141cm | 2 x | 2 x | 2 x | 2 x | 1 x | 1 x | | | | |

output: 00/12/20

03 Standard Hardware ID

| | | L | |
|--|---|----------|--|
|  |  | ø 2.0 mm | 000_101 20 mm |
|  |  | M8 | 001_102 30 mm |
|  |  | ø 8.0 mm | 001_404 30 mm 001_406 45 mm 001_411 60 mm 001_417 80 mm 001_422 137 mm |
|  |  | ø 6.3 mm | 002_036 16 mm |
|  |  | ø 4.5 mm | 002_041 20 mm |
|  |  | ø 3.5 mm | 002_042 13 mm |
|  |  | ø 3.9 mm | 002_301 40 mm |

| | | L | |
|---|--|----------|--|
|  |  | ø 5.0 mm | 002_308 20 mm 002_219 30 mm 002_220 45 mm 002_223 80 mm |
| |  | M8 | 003_010 |
| |  | M6 | 003_034 |
| |  | M8 | 004_050 22mm |
| |  | | 022_845 Yellow 022_846 Blue 022_847 Green 022_848 Red |
| |  | | 023_031 White |
|  |  | | 120_005 White |
| 022_844 | 022_314 | | |

output: 20/11/20

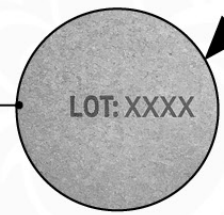
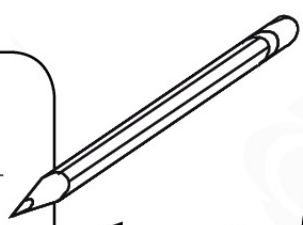
04 Product ID



Art. Description: _____

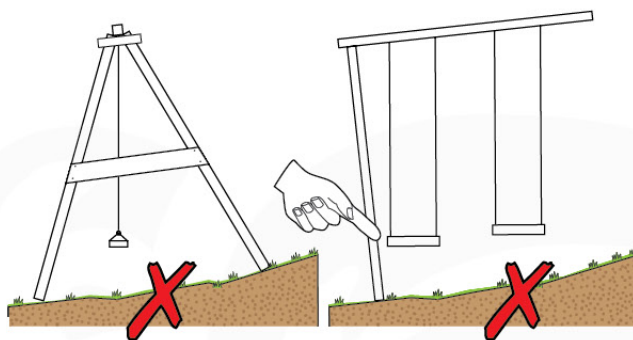
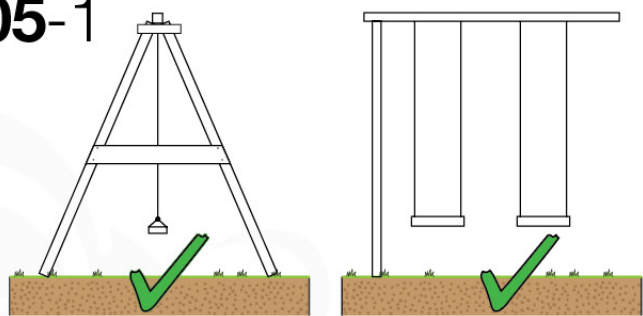
SKU: _____

LOT: _____

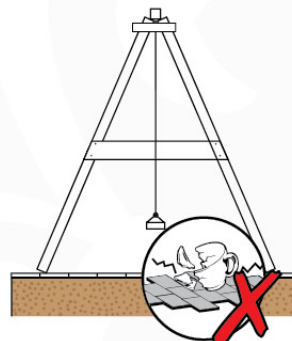
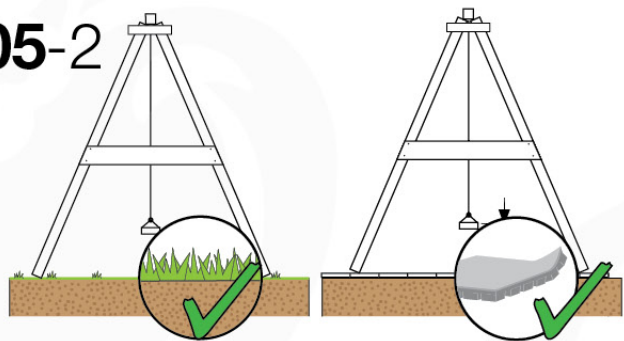


05 Safe Playground Planning

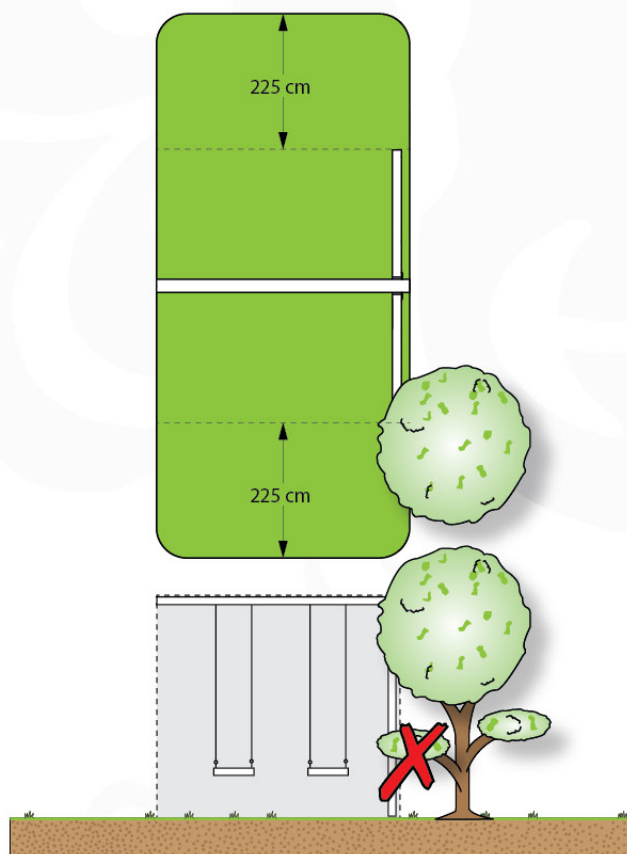
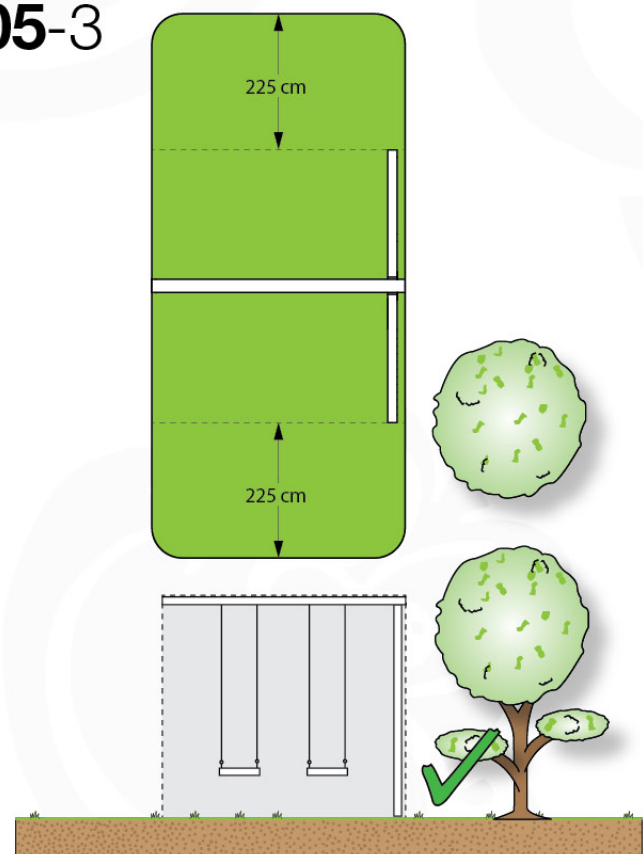
05-1



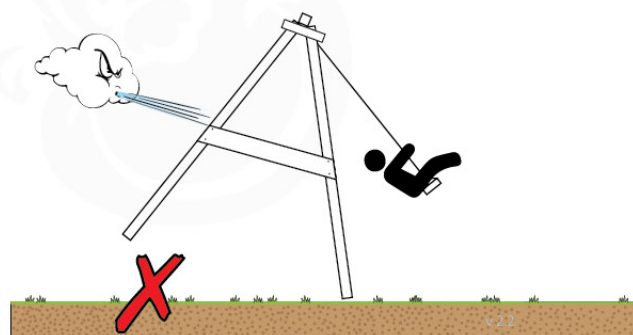
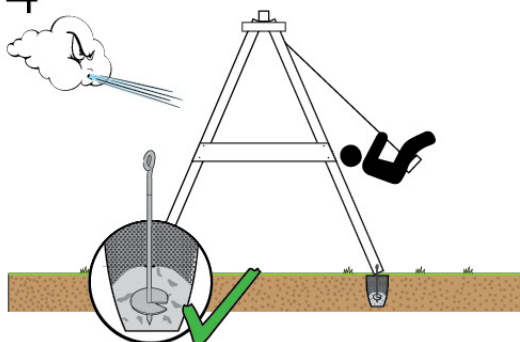
05-2



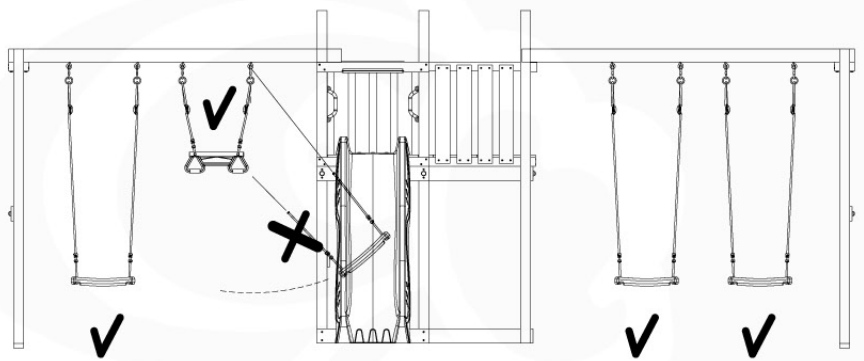
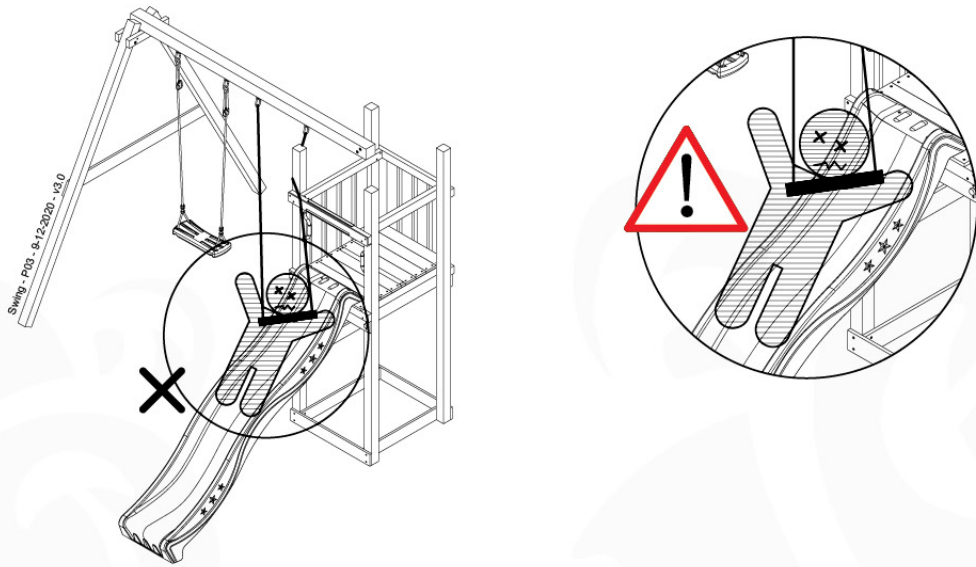
05-3



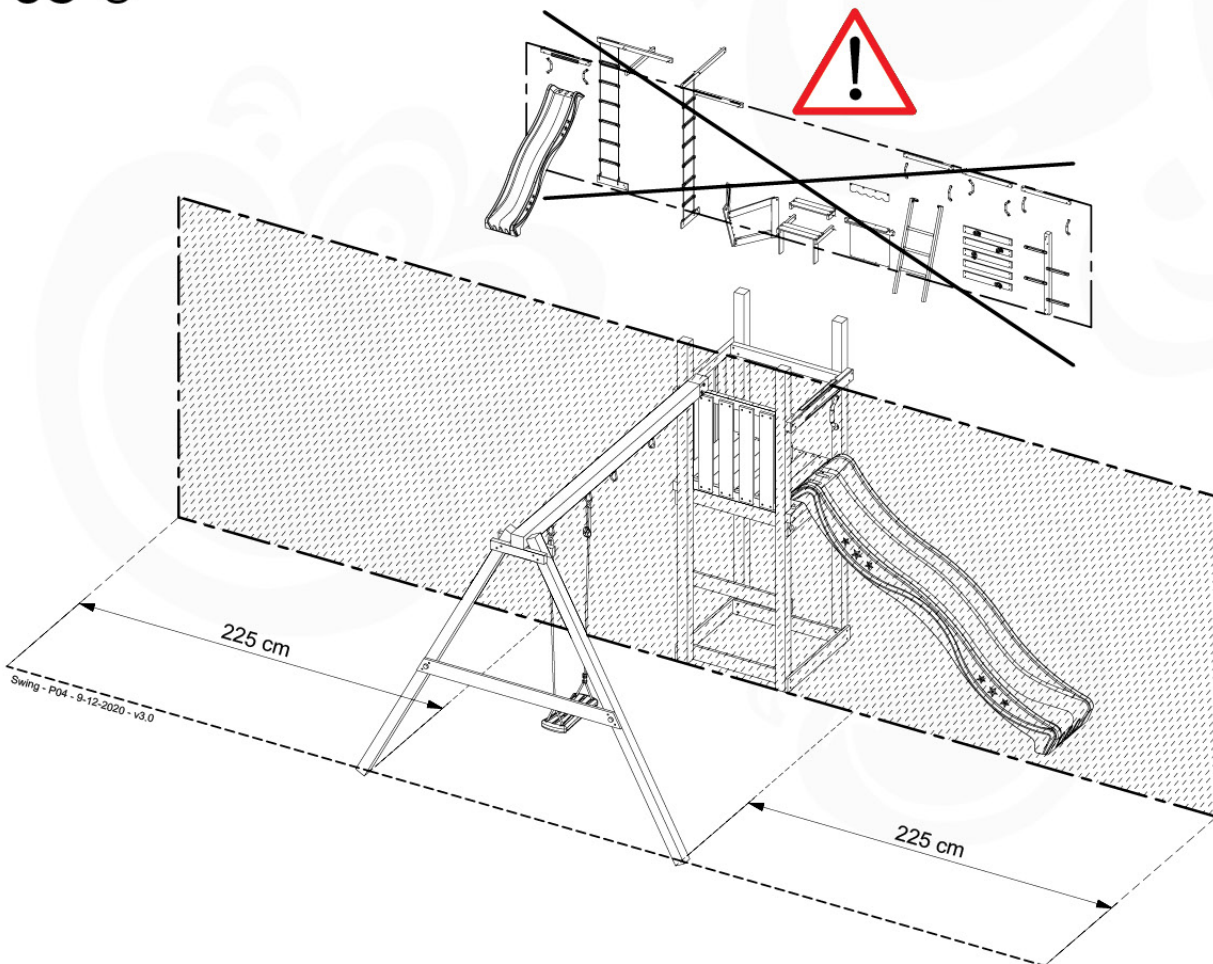
05-4



05-5



05-6

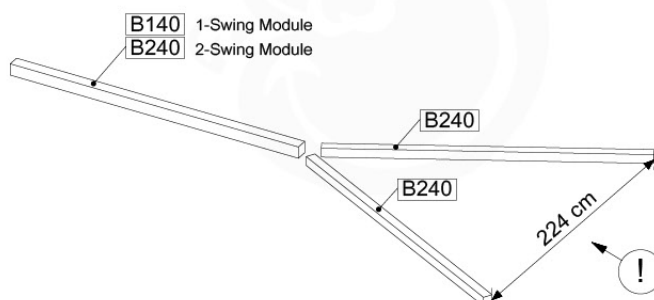
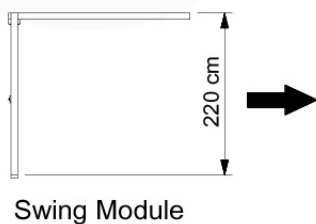
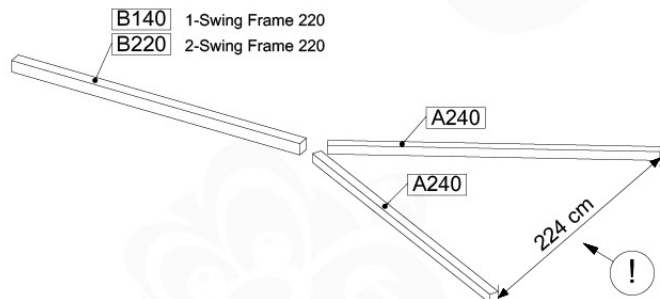
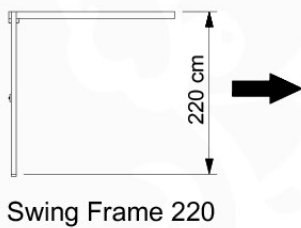
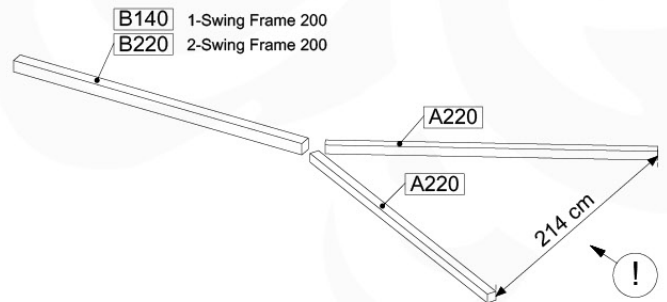
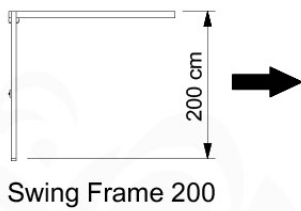


06

| | PartNo | PartName | QTY. |
|---------------|---------|----------------------------|------|
| Hardware Pack | 001_406 | Stealth Screw 8x45 | 4 |
| | 001_417 | Stealth Screw 8x80 | 3 |
| | 001_422 | Stealth Screw 8x137 | 3 |
| | 002_220 | Gap Point Screw T25 - 5x45 | 12 |
| | 002_223 | Gap Point Screw T25 - 5x80 | 6 |
| Other | 005_528 | Swing Beam Bracket 7x7 | 1 |
| | 005_529 | Swing Beam Bracket 9x9 | 1 |
| | 007_001 | Ground-anchor | 2 |
| Hardware Pack | 022_31x | bpc-base version 3 | 2 |
| | 022_84x | bpc cover | 2 |
| | 023_031 | Finishing Washer GPS 5.0 | 2 |
| Other | 101_003 | Swing hook with Carabiner | 4 |

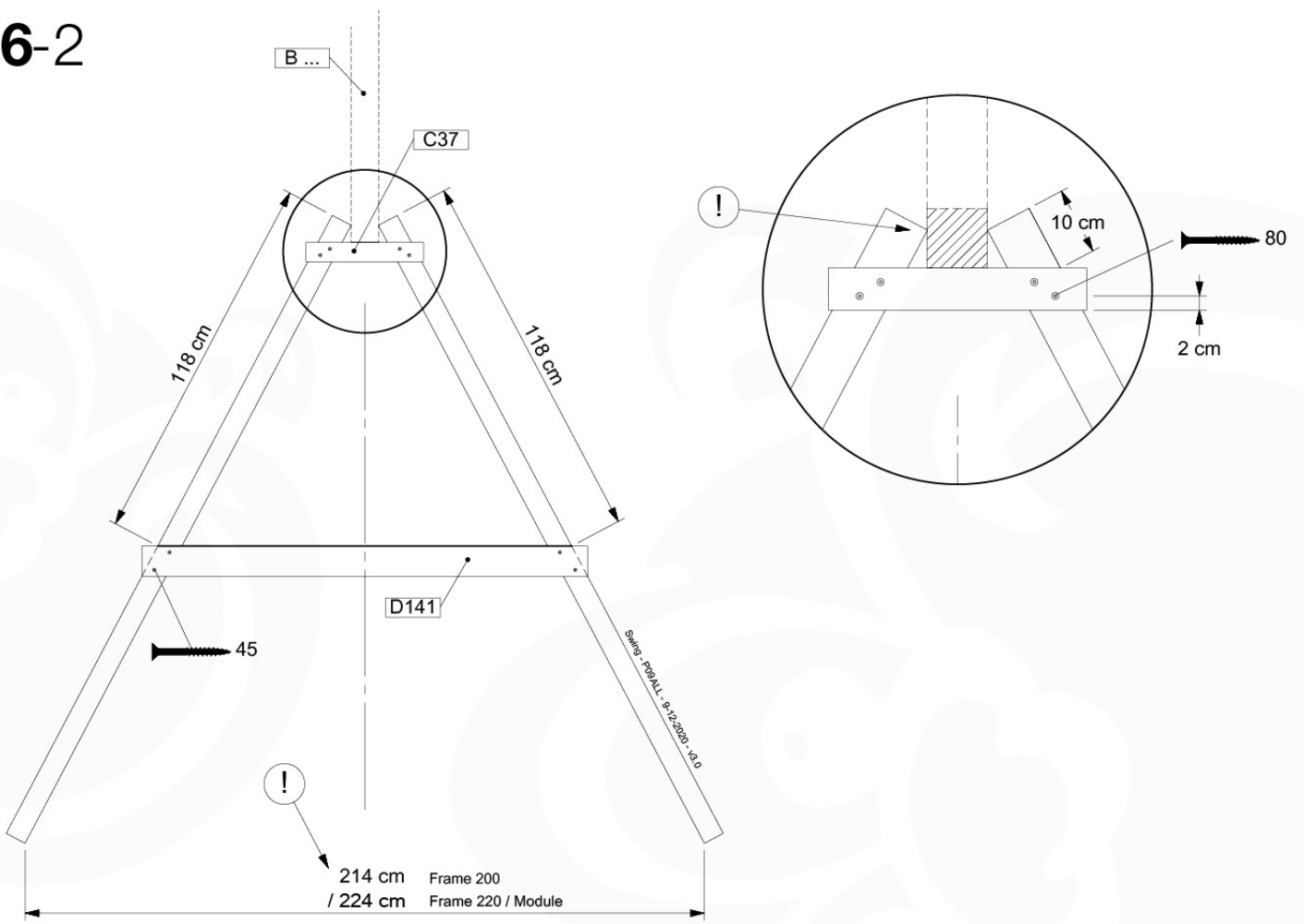
Swing - P102 - 9-12-2020 - v3.0

06-1

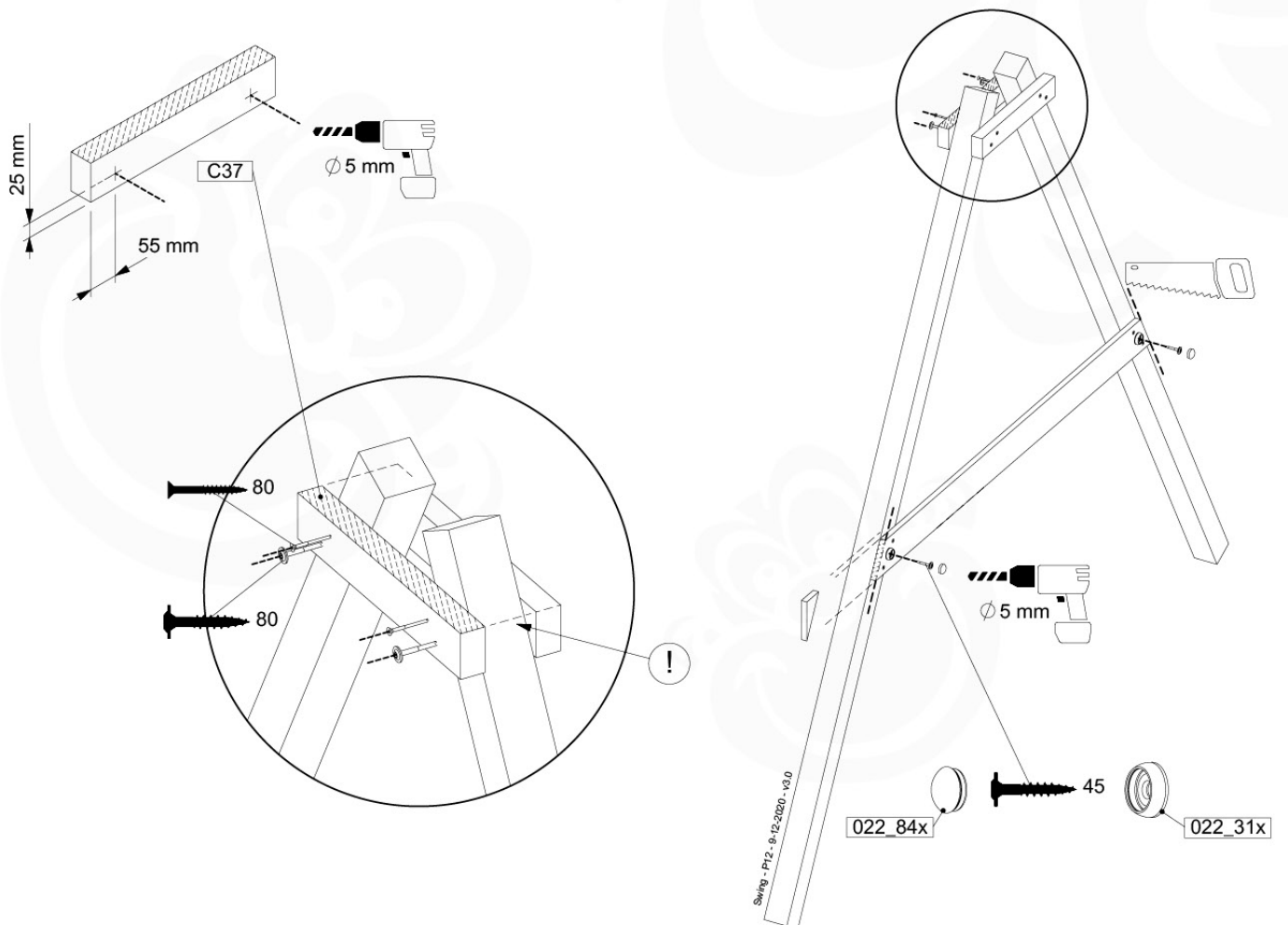


Swing - P05ALL - 9-12-2020 - v3.0

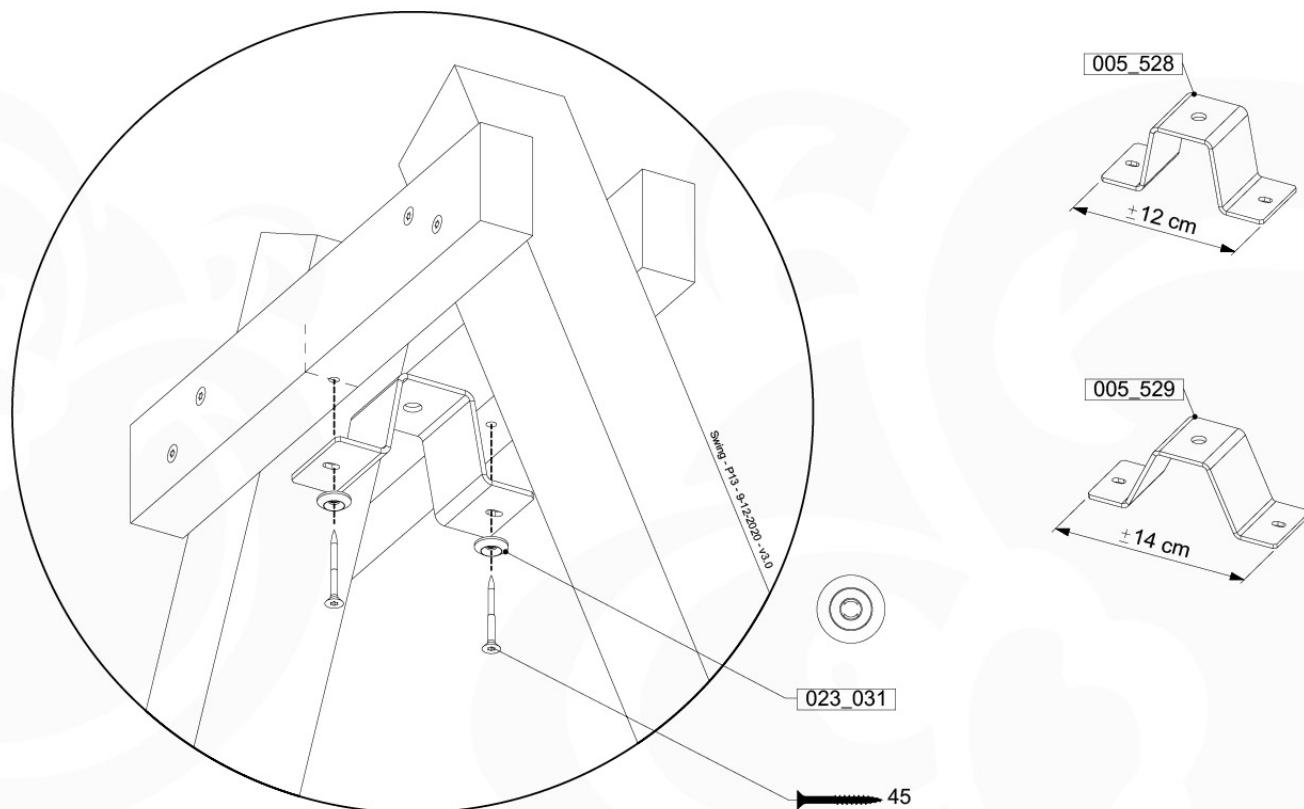
06-2



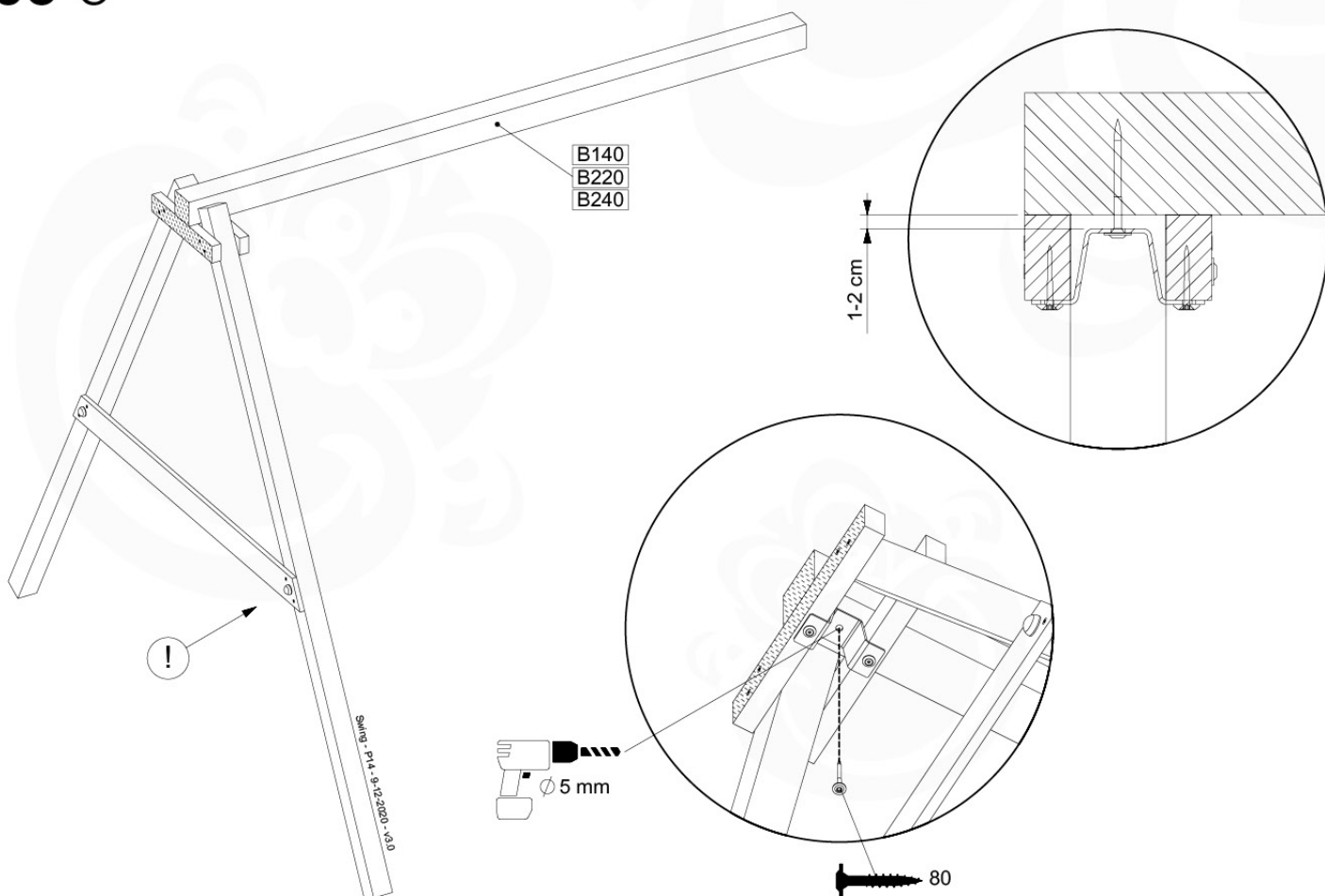
06-3



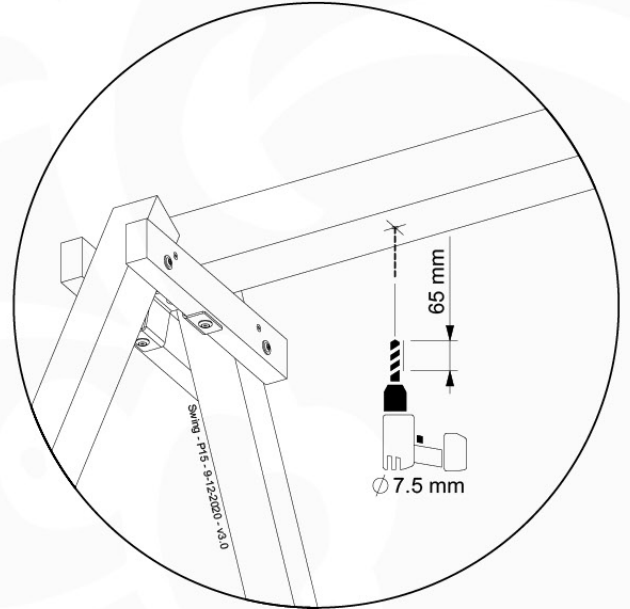
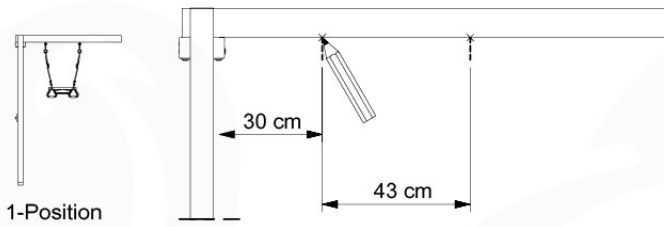
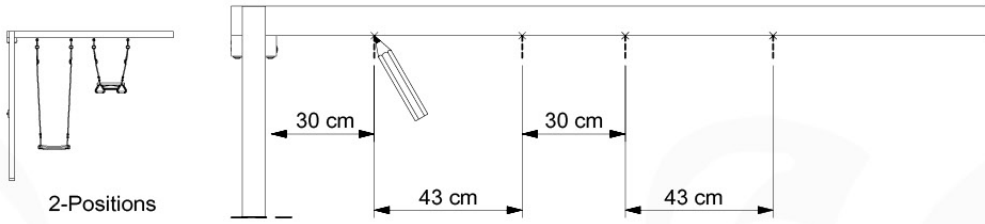
06-4



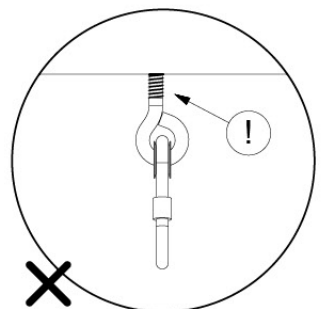
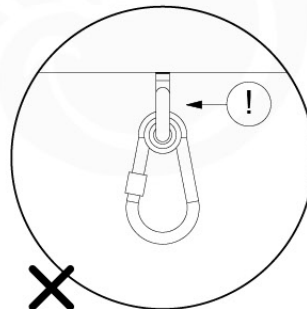
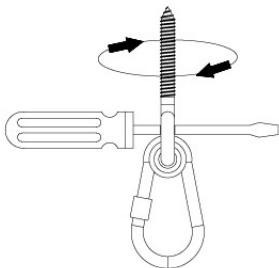
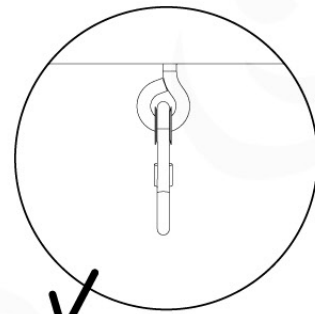
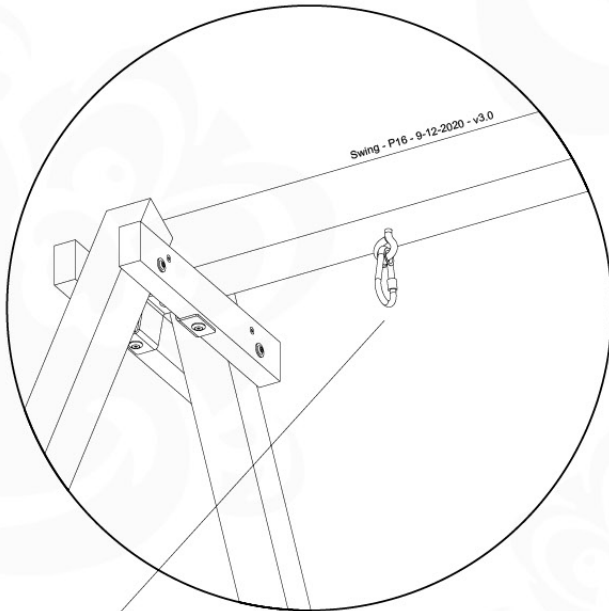
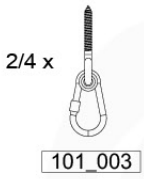
06-5



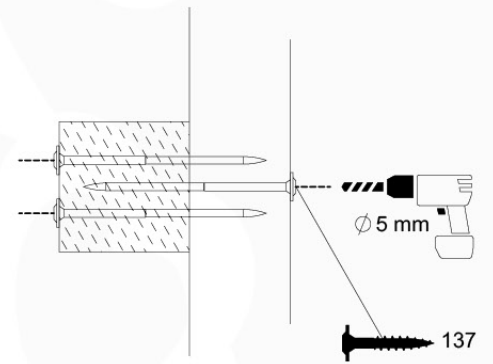
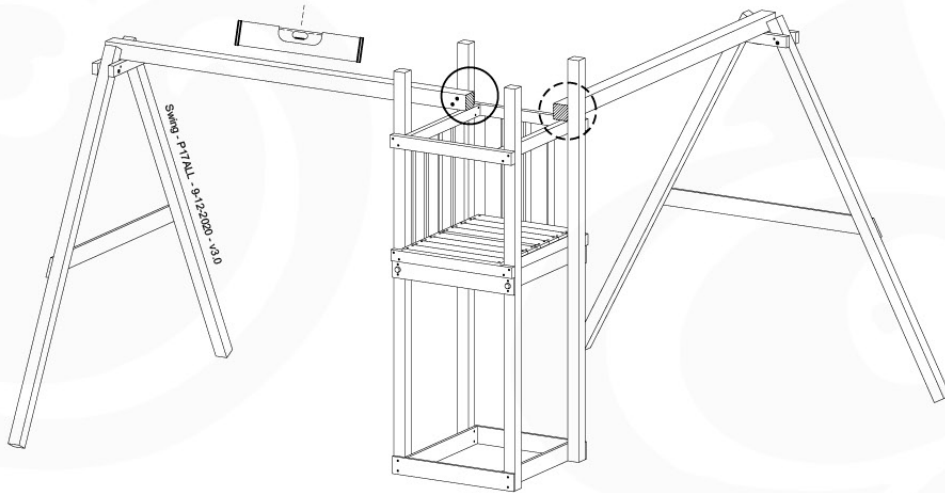
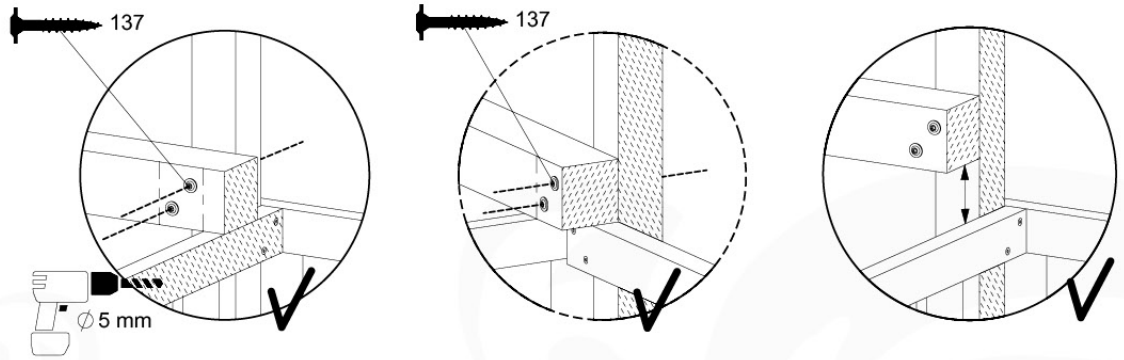
06-6



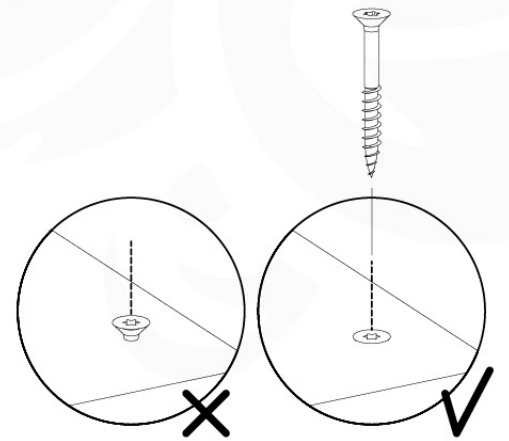
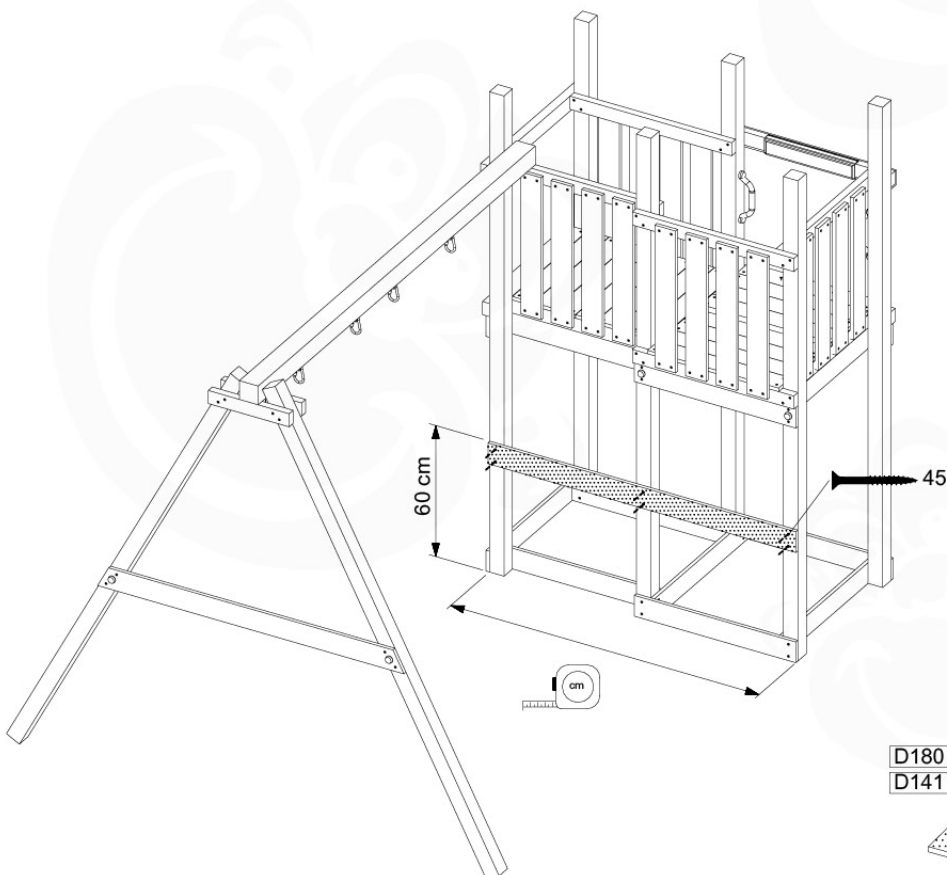
06-7



06 -8

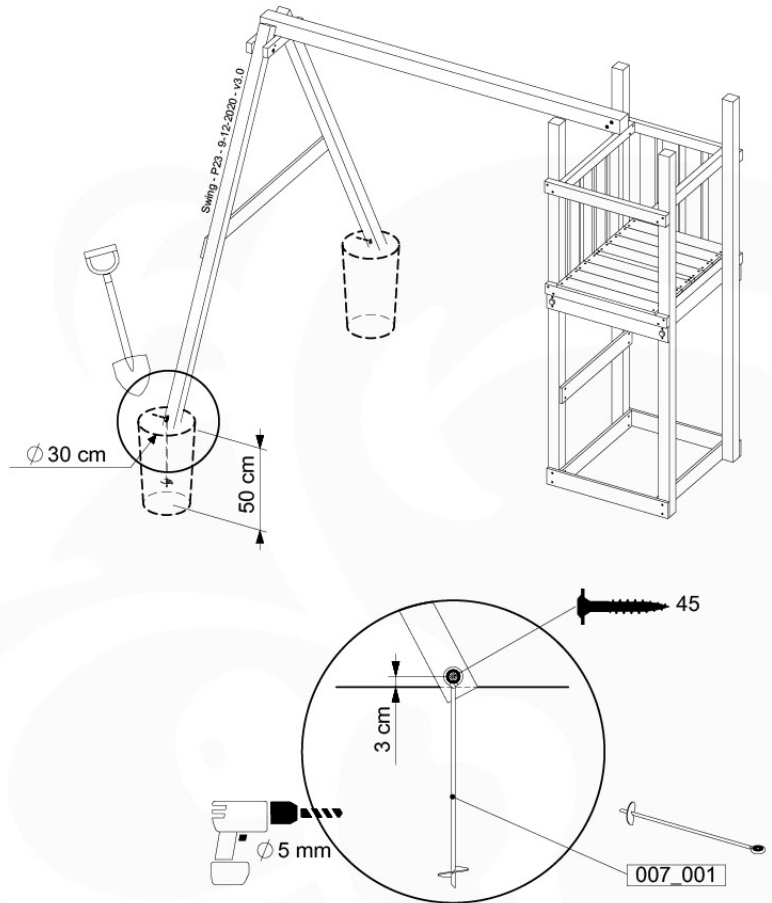
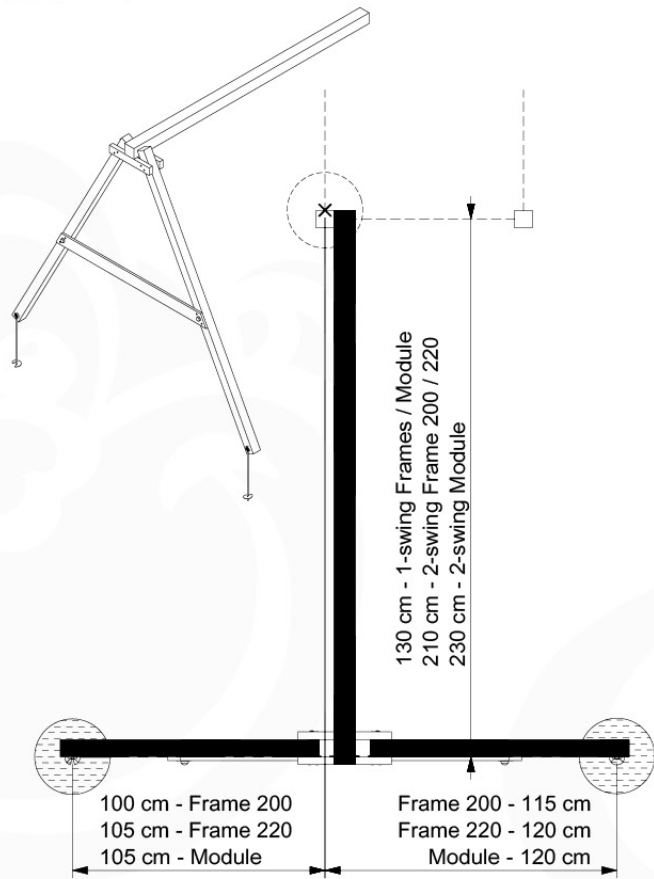


06 -9

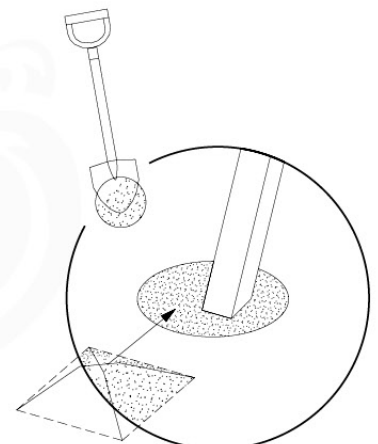
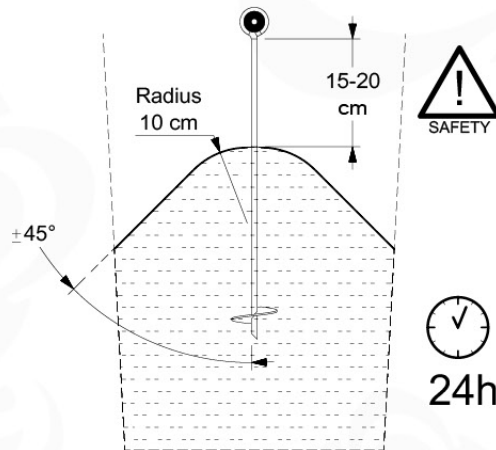
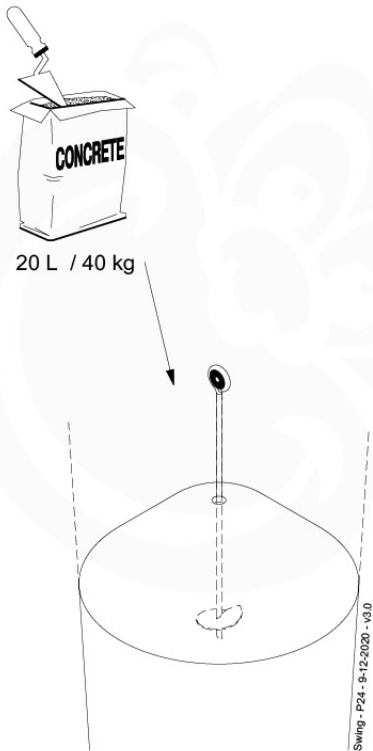


D180
D141

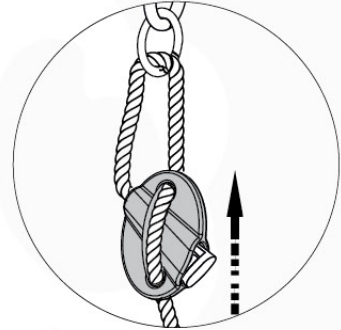
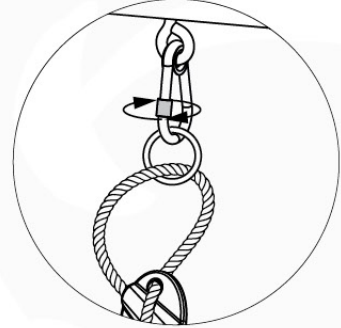
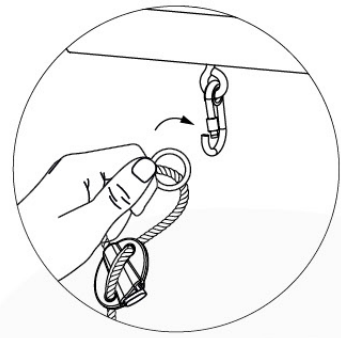
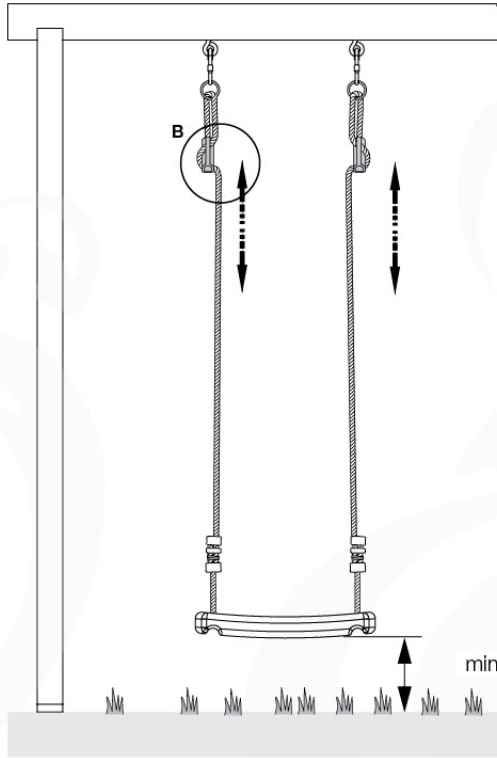
07 -1



07 -2



08



09

